

2100SB-12

12 PAIR - INDOOR BET - BIX/BIX - COVER & SPLICE CHAMBER

Product Specifications

UL497 Primary Protector for Communication Circuits

NAFTA Country of Origin: CANADA - All Models are "Buy America Act" Approved.

These 16 AWG steel building entrance terminals feature the BIX style connector and external ground connectors that accept 6 to 14 AWG ground wire. The BIX connector can terminate 22-26 AWG wire and accepts the QTBI22A test shoe. This line is designed to exceed the requirements set forth in Underwriters Laboratories' UL497 (UL, cUL) and the Canadian Standards Association (CSA). The units have an internal fuse link and use industry standard 5-pin protection modules which are sold separately.

Features & Benefits

- 16 AWG Powder Coated Steel Construction
- Equipped with an Internal 26 AWG Fuse Link
- External Ground Connectors Accept 6 - 14 AWG Wire
- Industry Standard 5 Pin Design
- Exceeds UL497 Primary Protection Standards
- Stackable with Connection Grommets Included
- BIX Connector Accepts 22 - 26 AWG Wire



2100SB-12

Ordering Information

Model Number	Stock Code	Pair Count	Input	Output	Dimensions (H" x W" x D")	Weight (lbs)
2100SB-12	201012	12	BIX	BIX	7.50 x 7.20 x 3.90	4

2100SB-12

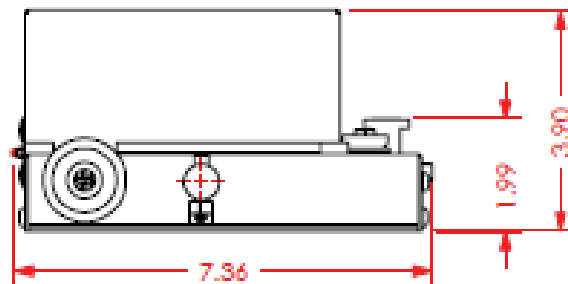
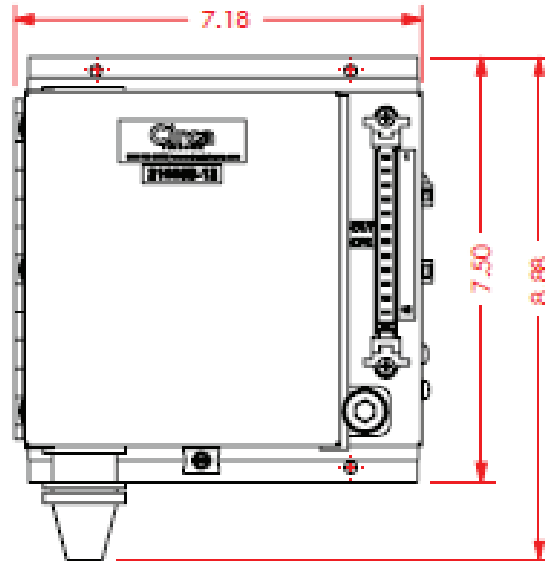
12 PAIR - INDOOR BET - BIX/BIX - COVER & SPLICE CHAMBER



Physical Dimensions

UL497 Primary Protector for Communication Circuits

7.50 x 7.20 x 3.90
(H" x W" x D")



Notes

Installation:

Indoor Wall Mount

Splice Chamber: Separate enclosure and cover for OPS gel filled Input cable