

# VIPER S

Compact, strong, small.

Manufactured for  
Look Solutions - Fog machines made in Germany



high effectiveness

low power consumption

good price/performance ratio

made in Germany

This fog generator with 650 W and an powerful output of approx. 8 meter perfectly completes the Viper range.

The **Viper S** is made for smaller stages and Clubs. Due to its compact design and the light weight, the machine can also be assembled for mobile uses.

The **Viper S** is characterised by a low power- and fluid consumption but a powerful output. Thus, the operating costs are low and the **Viper S** coincidental is energy-saving without cutting back the output.

Equipped with all features and the usual reliability of the whole Viper range, the **Viper S** is an inexpensive alternative to bigger machines.

## Features

- Finest adjustments of the output  
Digital technology enables fine adjustments of the pump. In steps of 1% the output can be adjusted from 0 - 99%. Thus, any desired effect - from a tiny fog cloud to the thickest continuous fog - can be produced. This allows an individual adaptation to the dimensions of the room.

- DMX 512 as standard  
The **Viper S** can be controlled via *DMX 512*. The connection is done with 5pin-XLR-plugs. The DMX start address can be adjusted and saved via the control panel. The address remains saved also when the machine is unplugged.

The machine can also be controlled with *analog (0 - 10V)* via a lighting desk or a XLR-remote (option). The connection is done with 3-pin-XLR-plug.

A *Stand-Alone-Mode* is possible as well. The adjustment of the pump is done directly at the machine. Pressing the start button once, the machine starts running with the pre-adjusted pump level.

A *radio remote* is also available as an option.

- Internal timer  
With the internal timer, the fogging time can be adjusted in seconds, the wait time in minutes and the output in %. Once the timer is activated, the adjusted program will run until the timer is deactivated.

- Control panel  
The control panel with LED display and simple symbols allow an easy operation. It also protects the control buttons against dirt.

## Liquid

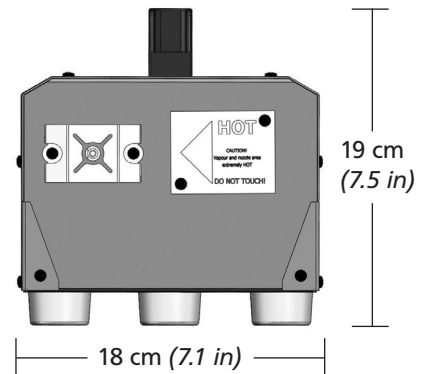
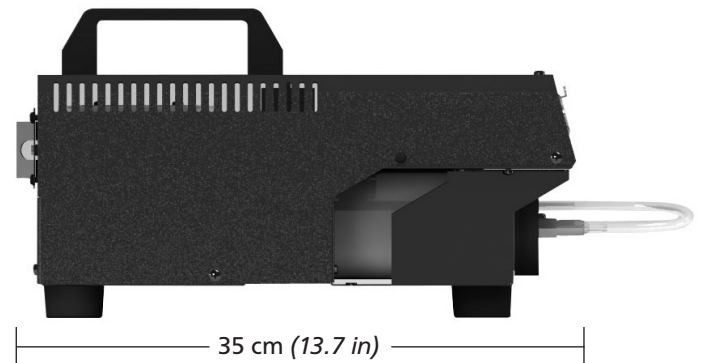
The following Look fog liquids are available for the **Viper S**:

Quick-Fog (thick, quick disappearing fog liquid)  
Regular-Fog (thick, long lasting fog liquid)  
Slow-Fog (thick, extremely long lasting fog liquid)

## Specifications

<b>Procedure</b>	Vaporizing fog generator
<b>Power requirement</b>	650 Watt
<b>Voltage</b>	230 V/50 Hz or 120 V/60 Hz
<b>Heat-up time</b>	approx. 7 minutes
<b>Fog output</b>	adjustable in 99 steps (1% steps)
<b>Fluid tank capacity</b>	750 ml (25.3 oz)
<b>Fluid consumption</b>	60 ml/min. at max. output (2 oz) 15 ml/min. at cont. output (0.5 oz)
<b>Output projection</b>	max. 8 m (26.2 ft)
<b>Fog time at 100% at &lt;50%</b>	approx. 35 seconds continuous output
<b>Temperature control</b>	Microprocessor controlled
<b>Overheating protection</b>	Heater block with thermostat Pump with temperature switch
<b>Control</b>	DMX 512 0-10 V analog Stand alone internal timer Radio remote (option)
<b>Dimensions (L x B x H)</b>	35 x 18 x 19 cm (13.7 x 7.1 x 7.5 in)
<b>Weight without canister</b>	5.4 kg (11.9 lb)

## Dimensions



## Advantages

- DMX 512 as standard, analog (0 - 10 V) and Stand-alone-mode
- Internal timer
- Control panel with LED-display and simple symbols for an easy operation
- Powerful output
- Fog output adjustable in steps of 1%
- Continuous output
- Made in Germany

## Accessories

- XLR-remote for analog control
- Radio remote
- Duct adaptor for hose diameter 65 mm
- Flightcase

## Service

Based on the strong partnership with the German manufacturer, Look Solutions is able to provide a quick and easy service which guarantees the high quality of all products.