



HM-AP21-W-AD21

Acoustic Leak Detector

The HIKMICRO Acoustic Leak Detector AD21 is a high-performance leak detector designed for technicians and plumbers to find leaks in plumbing, water service, and residential or commercial properties.

The AD21 has four ranges of selectable bandpass filters, and the amplification is up to 80 dB. The filtering of sound frequencies helps you accurately locate the leaks. You can find the problems quickly with the help of the 7" LCD touch screen. Quick inspection and patrol inspection satisfy the needs of different environments. With the handheld sensor and pick-up sensor, the AD21 can be used in many different scenarios. The intelligent noise reduction function can effectively prevent human ear discomfort.

Using the AD21 can help you quickly locate the leaks, reduce water waste, and avoid property damage.

Key Features

- Flexible filter settings with four configurable filter curves
- Frequency range from 100 Hz to 4500 Hz
- 7" LCD touch screen
- Amplification up to 80 dB
- Up to 11 hours continuous running (support fast charging)

Specification

ACOUSTIC SPECIFICATIONS	
FREQUENCY RANGE	100 Hz to 4500 Hz
SIGNAL NOISE RATIO	60 dB
SENSITIVITY	577 V/G
SENSOR	Handheld Sensor, Pick-up Sensor
BAND PASS FILTERS	100 Hz to 1500 Hz 200 Hz to 1000 Hz 900 Hz to 2500 Hz 3000 Hz to 4500 Hz
AMPLIFICATION	80 dB
IMAGE DISPLAY	
DISPLAY	1024 × 600 Resolution, 7" LCD Touch Screen
POWER SAVING MODE	Yes
STORAGE	
STORAGE MEDIA	Built-in eMMC (4 GB)
AUDIO STORAGE CAPACITY	60 s, Approx. 20 h
AUDIO FILE FORMAT	WAV
BATTERY	
POWER SUPPLY	12 VDC/1.5 A (Charging via USB), fast charging
POWER CONSUMPTION	3.5 W
BATTERY TYPE	Rechargeable Li-ion Battery
BATTERY OPERATING TIME	≥ 11 h
BATTERY CHARGING TIME	3 h to 90%, 6 h to full charge
GENERAL	
USB INTERFACE	USB 2.0, USB Type-C
WARRANTY	3 years for whole product, and 2 years for battery
SAFETY	IEC 61010-1: Overvoltage Category II, Pollution Degree 2
PROTECTION LEVEL	Main Unit: IP40 (protected from intrusion by solid foreign objects as small as 1.0 mm in diameter, and not evaluated for protection from moisture) Sensor: IP54 (protected against dust, limited ingress; protection against water spray from all directions)
LANGUAGE	21 Languages English, German, French, Spanish (Spain), Portuguese (Portugal), Italian, Czech, Slovak, Polish,

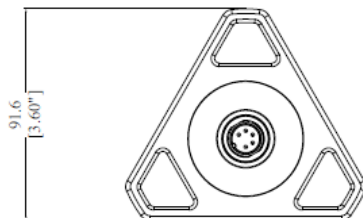
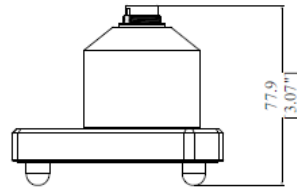
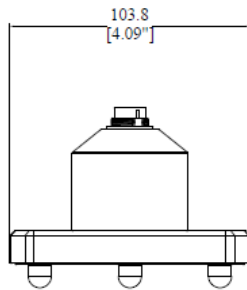
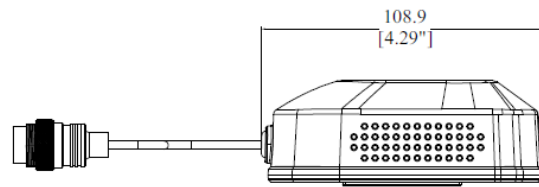
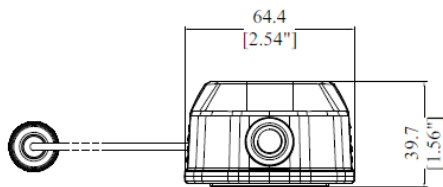
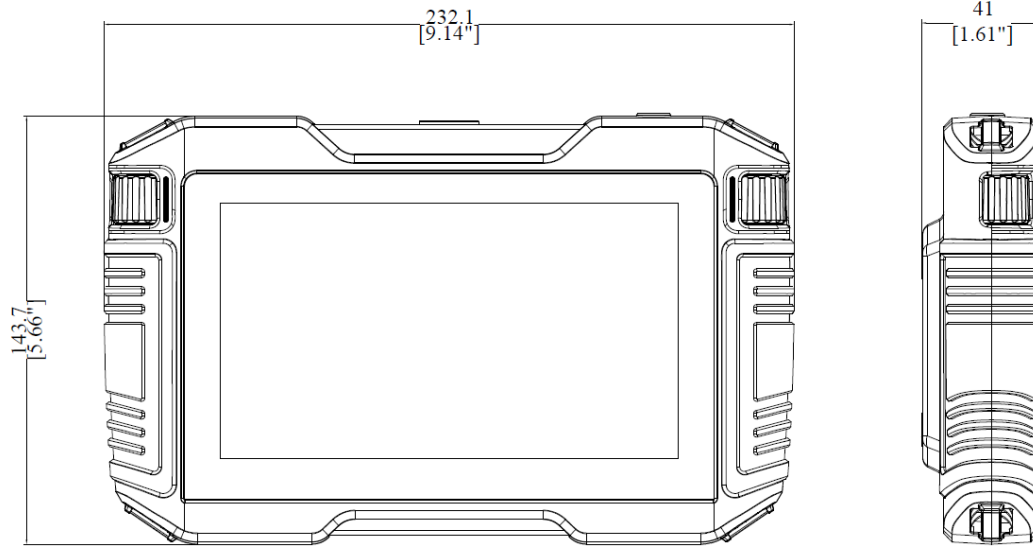
	Hungarian, Romanian, Dutch, Danish, Norwegian, Finnish, Swedish, Russian, Turkish, Japanese, Korean, Chinese (Traditional)
DROP TEST HEIGHT	1.2 m (3.93 ft)
BUTTONS	Power Button, Reset Button, Volume Adjustment Button, Gear Adjustment Button, Mute Button
ELECTROMAGNETIC COMPATIBILITY	EN55032: 2015+A11: 2020 EN50130-4: 2011+A1: 2014 EN61000-3-3: 2013
AUSTRALIAN RCM	EN61010-1: 2010 EN55032: 2015+A11: 2020 EN50130-4: 2011+A1: 2014 EN61000-3-3: 2013
US FCC	CFR 47, Part 15 Subpart B
ROHS COMPLIANCE	Yes
WORKING TEMPERATURE RANGE	-10°C to 50°C (14°F to 122°F)
STORAGE TEMPERATURE RANGE	-40°C to 70°C (-34°F to 142°F)
RELATIVE HUMIDITY	≤ 90% non-condensing
DIMENSION	Main Unit: 232.1 mm × 143.7 mm × 41 mm (9.14" × 5.66" × 1.61") Handheld Sensor: 108.9 mm × 64.4 mm × 39.7 mm (4.29" × 2.54" × 1.56") Pick-up Sensor: 103.8 mm × 91.6 mm × 71.9 mm (4.09" × 3.61" × 2.83") Headset: 164 mm × 32.7 mm × 50.3 mm (6.46" × 1.29" × 1.98") Standard Package: 555 mm × 400 mm × 215 mm (21.85" × 15.75" × 8.46")
WEIGHT	Main Unit: 821 g (1.81 lb) Handheld Sensor: 239 g (0.53 lb) Pick-up Sensor: 468 g (1.03 lb) Headset: 154 g (0.34 lb) Standard Package: 3000 g (6.61 lb)
PACKING LIST	Main Unit × 1, Handheld Sensor × 1, Pick-up Sensor × 1, Headset × 1, Short Listening Stick × 1, Sensor Connection Cable × 1, Neck Strap × 1, QSG × 1, Handle Grip × 1, USB 2.0 A to USB Type-C Cable × 1, Power Supply for Battery Charger × 1, International Use Plugs (US/EU/UK/AU) for Power Supply × 4, Hard Carrying Case × 1

Please note that product specifications are subject to change without notice. Please check <https://www.hikmicrotech.com> for the latest changes.

Ordering Model

HM-AP21-W-AD21

Dimension



Unit: mm (Inch)

