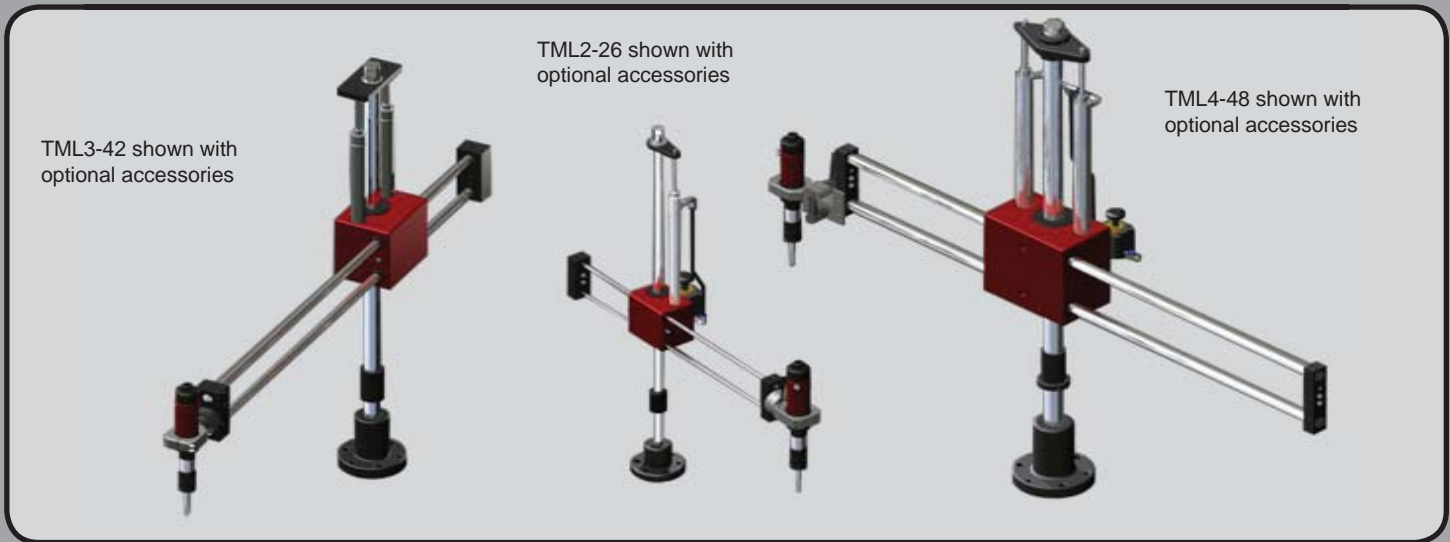


TITANMATE® LINEAR SERIES

TML LINEAR SERIES



The TITANMATE® LINEAR SERIES torque arms are designed to provide precise control ideally suited for **high toleranced** tapping applications. The bearing housing is ***machined from a solid billet of aluminum*** to assure perfect bearing alignment for the life of the unit. To minimize friction the TML LINEAR SERIES incorporates ***high quality roller and recirculating ball bearings*** throughout its design. The vertical and twin parallel shafts are made of ***hardened linear shafting***. This combination of ***rigidity and frictionless motion*** makes the TML LINEAR SERIES the perfect choice for tapping applications requiring the ***maximum reliability and precision***.

Standard features include:

- Multi position or rigid tool holder
- Adjustable pneumatic lift package
- Hardened and ground steel shafts
- Precision bearings
- Base mount with leveling screws
- Solid aluminum bearing block

Optional features include:

- Custom motor mounts
- Power tools
- Quick release chucks and collets
- Tap holders
- Keyless chucks
- Stud drivers
- Work carts
- Floor pedestals
- Custom pneumatic controls

- Ergonomic: **protects workers from injuries such as tendonitis and carpal tunnel syndrome.**
- Efficient: **maximizes production by minimizing scrap caused by worker fatigue.**
- Versatile: **one unit can tap, drill, fasten, lift, grind, polish, and so much more.**
- Mobile: **can be easily moved from one work station to the next.**
- Economical: **will pay for itself many times over its life span**
- Durable: **designed and manufactured to the highest industrial standards**

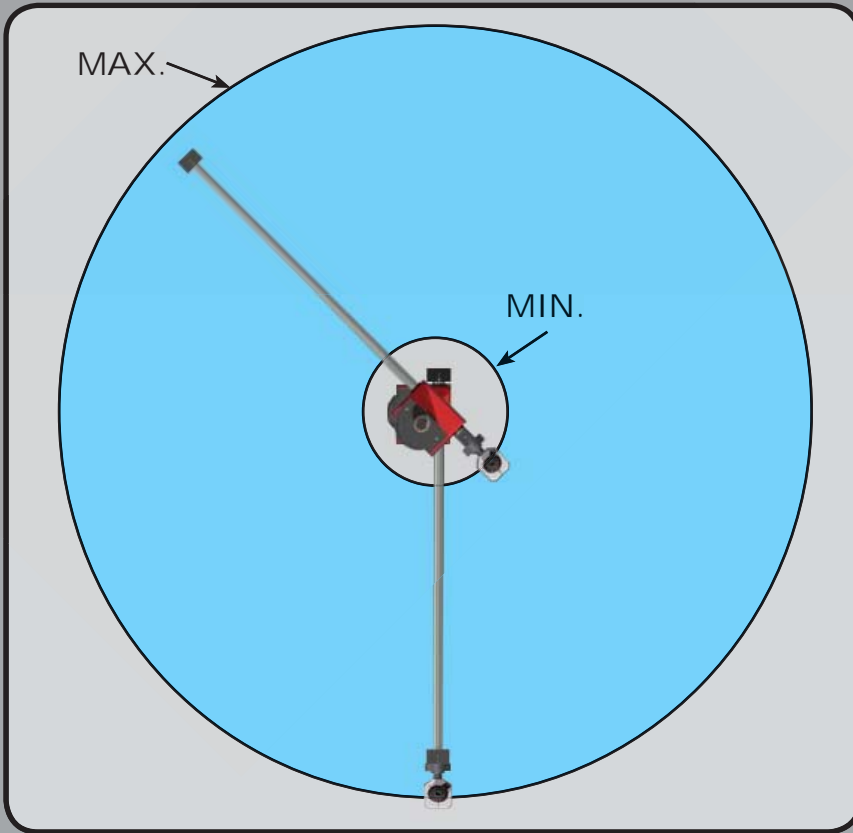
TITAN® Quality Assembly Tools Since 1920

TITAN TOOL COMPANY provides custom solutions for most any application. If your needs fall outside the standard product line, please contact Titan Tool Company for assistance with special applications. Our services are ***prompt and free of charge.***

TITANMATE[®] LINEAR SERIES

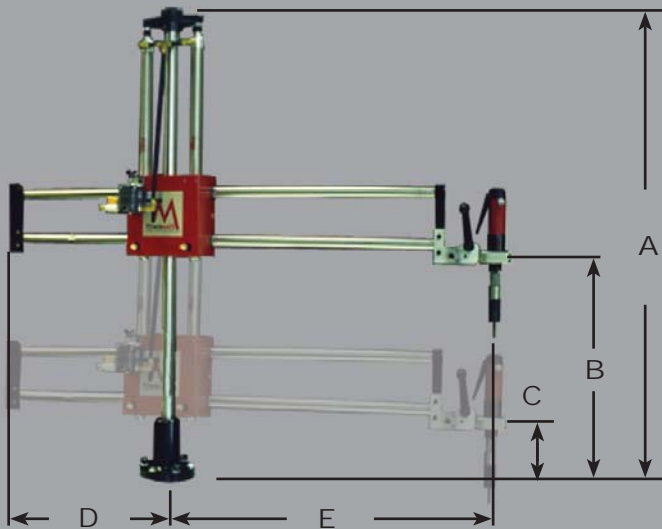
WORK ENVELOPE

TITAN[®] Quality Assembly Tools Since 1920



MODEL	MAX.	MIN.
TML2-26	21" (533mm)	4" (102mm)
TML3-32	30" (762mm)	7" (178mm)
TML4-48	45" (1143mm)	14" (356mm)

NOTE: Maximum and Minimum values can vary with custom motor mounts. Vertical and parallel shafts can be reduced in length to fit most applications. Reducing parallel shaft length will change maximum reach but not minimum.



Dimensional data for standard configurations. Different horizontal arm lengths are available. Dimensions may vary when certain options are added or configuration is changed.

Please contact Titan Tool Company for optional equipment. Lift assists, pneumatic controls, encoders, and additional accessories are available.

MODEL	A	B	C	D	E	PAYLOAD	TORQUE CAPACITY
TML2-26	26" (1016mm)	17" (432mm)	6" (152mm)	2.5"-14" (63mm-356mm)	4"-21" (102mm-533mm)	5lbs. (2.26Kg)	20 ft/lbs. 27Nm
TML3-32	32" (1168mm)	20" (508mm)	7" (190mm)	5"-37" (127mm-940mm)	7"-30" (178mm-762mm)	35lbs. (15.75Kg)	75 ft/lbs. 101 Nm
TML4-48	48" (1320mm)	22.5" (572mm)	7.5" (190mm)	7"-39" (178mm-991mm)	14"-45" (356mm-1143mm)	50lbs. (23Kg)	100 ft/lbs. 136Nm