

Parts Manual  
823185  
04/06/2011

# Cleco®

**Balance Arms**  
Air Cylinder and Spring Models



*For additional product information visit our website at <http://www.apextoolgroup.com>*

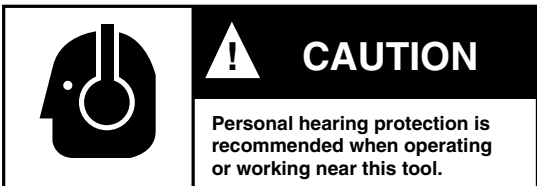
# Safety Recommendations

For your safety and the safety of others, read and understand the safety recommendations and operating instructions before operating any power tool with this balance arm.

**Always wear protective equipment:**



For additional information on eye protection and face protection, refer to Federal OSHA Regulations, 29 Code of Federal Regulations, Section 1910.133., Eye and Face Protection, and American National Standards Institute, ANSI Z87.1, Occupational and Educational Eye and Face Protection. Z87.1 is available from the American National Standards Institute, Inc., 11 West 42nd Street, New York, NY 10036.



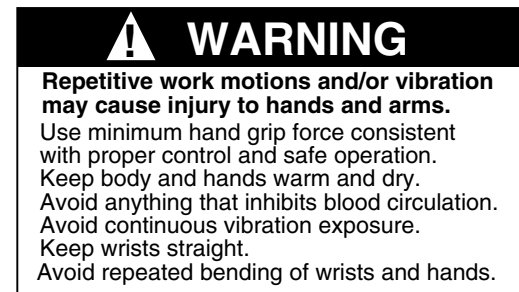
Hearing protection is recommended in high noise areas 85 dBA or greater. The operation of other tools and equipment in the area, reflective surfaces, process noises and resonant structures can substantially contribute to, and increase the noise level in the area. Excessive air pressure above 90 PSIG or worn motor components can also increase sound level emitted by tool. Proper hearing conservation measures, including annual audiograms and training in the use and fit of hearing protection devices may be necessary. For additional information on hearing protection, refer to Federal Regulations, Section 1910.95, Occupational Noise Exposure, and American National Standards Institute, ANSI S12.6, Hearing Protectors.



Keep hands and fingers away from pinch points or any placements of balance arm that will entrap hands or fingers.



Before any tool is installed in the balance arm, check the throttle (if so equipped) for proper operation (i. e., throttle moves freely and returns to closed position). Being careful not to endanger adjacent personnel, clear an air hose of accumulated dust and moisture. Before connecting a tool to an air supply or electrical circuit, removing a tool from service or changing bits or sockets, make sure the air line is shut off and drained of air or the electrical supply is shut off. This will prevent the tool from operating if the throttle is accidentally engaged.



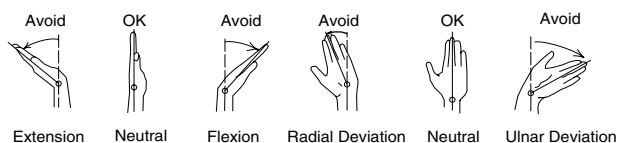
Some individuals may be susceptible to disorders of the hands and arms when performing tasks consisting of highly repetitive motions and/or exposure to extended vibration. Cumulative trauma disorders such as carpal tunnel syndrome and tendonitis may be caused or aggravated by repetitious, forceful exertions of the hands and arms. Vibration may contribute to a condition called Raynaud's Syndrome. These disorders develop gradually over periods of weeks, months, and years. It is presently unknown to what extent exposure to vibrations or repetitive motions may contribute to the disorders. Hereditary factors, vasculatory or circulatory problems, exposure to cold and dampness, diet, smoking and work practices are thought to contribute to the conditions.

# Safety Recommendations

Any tool operator should be aware of the following warning signs and symptoms so that a problem can be addressed before it becomes a debilitating injury. Any user suffering prolonged symptoms of tingling, numbness, blanching of fingers, clumsiness or weakened grip, nocturnal pain in the hand, or any other disorder of the shoulders, arms, wrists, or fingers is advised to consult a physician. If it is determined that the symptoms are job related or aggravated by movements and postures dictated by the job design, it may be necessary for the employer to take steps to prevent further occurrences. These steps might include, but are not limited to, repositioning the workpiece or redesigning the workstation, reassigning workers to other jobs, rotating jobs, changing work pace, and/or changing the type of tool used so as to minimize stress on the operator. Some tasks may require more than one type of tool to obtain the optimum operator/tool/task relationship.

The following suggestions will help reduce or moderate the effects of repetitive work motions and/or extended vibration exposure:

- Use a minimum hand grip force consistent with proper control and safe operation
- Keep body and hands warm and dry (cold weather is reported to be a major factor contributing to Raynaud's Syndrome)
- Avoid anything that inhibits blood circulation
  - Smoking Tobacco (another contributing factor)
  - Cold Temperatures
  - Certain Drugs



- Tasks should be performed in such a manner that the wrists are maintained in a neutral position, which is not flexed, hyperextended, or turned side to side.
- Stressful postures should be avoided — select a tool appropriate for the job and work location
- Avoid highly repetitive movements of hands and wrists, and continuous vibration exposure (after each period of operation, exercise to increase blood circulation)
- Keep tool well maintained and replace worn parts

Work gloves with vibration reducing liners and wrist supports are available from some manufacturers of industrial work gloves. Tool wraps and grips are also available from a number of different manufacturers. These gloves, wraps, and wrist supports are designed to reduce and moderate the effects of extended vibration exposure and repetitive wrist trauma. Since they vary widely in design, material, thickness, vibration reduction, and wrist support qualities, it is recommended that the glove, tool wrap, or wrist support manufacturer be consulted for items designed for your specific application. **WARNING! Proper fit of gloves is important. Improperly fitted gloves may restrict blood flow to the fingers and can substantially reduce grip strength.**

For more information on the safe use of portable air tools, see the latest edition of ANSI B186.1, Safety Code for Portable Air Tools, available from the American National Standards Institute, Inc. 11 West 42nd Street, New York, NY 10036.

This information is a compilation of general safety practices obtained from various sources available at the date of production. However, our company does not represent that every acceptable safety practice is offered herein, or that abnormal or unusual circumstances may not warrant or require additional procedures. Your work may require additional specific safety procedures. Follow these procedures as required by your company.

## Warning Labels

The warning labels found on these tools are an essential part of this product. Labels should not be removed. Labels should be checked periodically for legibility. Replace warning labels when missing or when the information can no longer be read. Replacement labels can be ordered as any spare part.



## BALANCE ARMS INSTRUCTIONS FOR INSTALLATION

### STANDARD ARM

1. Position base 204002 on workbench to allow a 45° angle between arm 204025 or 204026 and articulating arm 204014 when tool is in proper position to run fastener.
2. Bolt screwdriver arm base 204002 to workbench.
3. Insert nipple into inlet bushing on tool.
4. Mount tool to arm by inserting nipple into manifold tool holder 204022 and tighten.

**NOTE:** If tool torque is to exceed 100 in. lbs.(11Nm), a longer nipple with two nuts and two lockwashers should be used. One nut should be tightened against the manifold tool holder and the other against the tool inlet bushing. This will prevent the tool from rotating in the reverse mode.

### PARALLEL ARM

1. Position base 204002 on workbench to allow a 45° angle between boom arm 204014 and articulating arm 204095 or 204096 when tool is in proper position to run fastener.

2. Bolt screwdriver arm base 204002 to workbench.
3. Attach air hose to tool.
4. Insert tool into parallel tool holder 204015.
5. Adjust height of tool in holder to properly reach work piece.
6. Equally tighten nuts on tool holder 204087 to secure tool to arm.

**NOTE:** Tighten tool holder 204087 securely to prevent tool from rotating in parallel tool holder 204015.

### ADJUSTABLE HEIGHT ARM

1. Slide clamp bracket 204017 onto post 204012 and position at approximate proper height, tighten cap screw 845676 just enough to keep clamp bracket from moving.
2. Mount arm assembly onto clamp bracket 204017.
3. See above for standard arm or parallel arm installation.
4. Adjust final height of clamp bracket 204017 on post 204012 with tool fastened to arm and tighten socket head cap screw 845676.

## BALANCE ARMS ADJUSTMENTS

### A. Standard Arms 12" or, 18" Model

1. Balance weight of tool
  - a. Remove extension spring 204033 from arm spring pin 204006.
  - b. For heavier tool, move arm spring pin 204006 away from post 204013 to increase spring tension.
  - c. For lighter tool, move arm spring pin 204006 toward post 204013 to decrease tension.
2. Adjust height of arm 204026 or 204025
  - a. Turn rubber spindle 204029 counterclockwise to increase arm height.
  - b. Turn rubber spindle 204029 clockwise to decrease arm height.

**NOTE:** Arm should be set as low as possible to minimize up/down travel. IF SPRINGS WILL NOT SUPPORT WEIGHT OF ARM, A HEAVY WEIGHT KIT MAY BE NECESSARY.  
ORDER PART NO. 521060-4.

### B. Parallel Arm Model 12" or 18"

1. Balance-See A-1.
2. Height-See A-2.
3. Vertical adjustment
  - a. Loosen both jam nuts 865088 and 204035. Rotate parallel rod 204009 or 204008 to increase or decrease vertical tool angle.
  - b. Tighten jam nuts.

### C. Adjustable Height Arm

1. Loosen socket head cap screw 845676 and position column clamp as required. Retighten cap screw.

**NOTE:** All numbers refer to drawings. When ordering, use seven-digit part numbers from parts list.

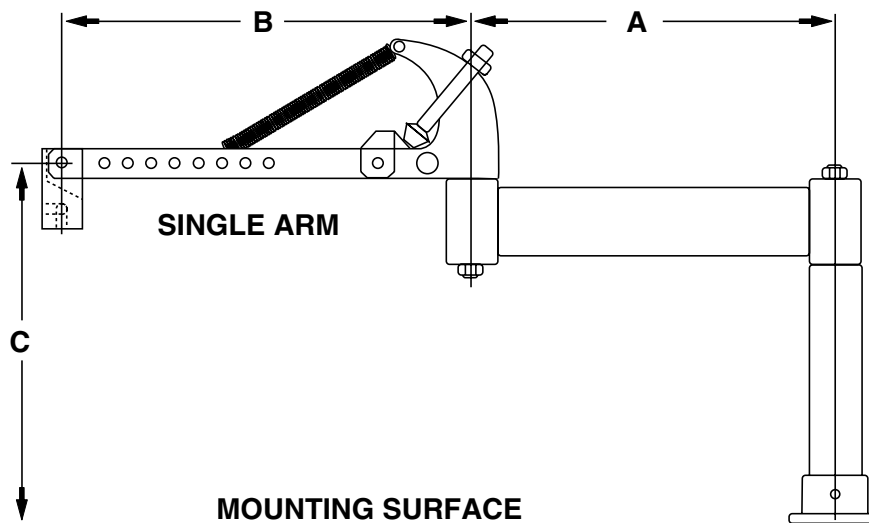
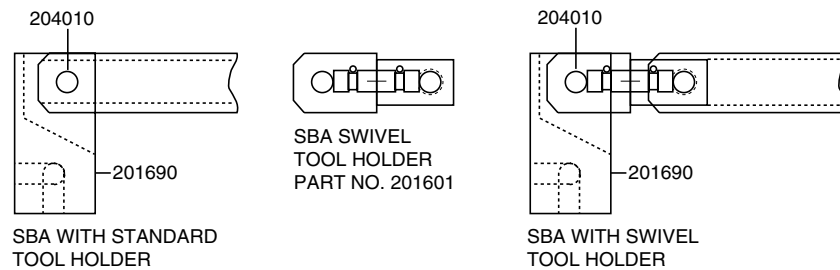
# SWIVEL TOOL HOLDER FOR BALANCE ARM

## INSTALLATION:

**NOTE:** It is not necessary to disconnect the tool from the Standard Tool Holder to install the swivel tool holder. However, the air supply should be turned off.

1. Remove manifold pivot pin 204010.
2. Remove manifold tool holder 204022 from the arm.
3. Insert small rectangular block of swivel tool holder (block with threaded hole) into the end of the balance arm.
4. Align threaded hole with pivot pin holes in arm.
5. Insert button head screws through pivot pin holes into threaded hole and tighten.
6. Position manifold tool holder 201690 over large block of swivel tool holder.
7. Align hole in block with pivot pin hole.
8. Reinstall pivot pin.

**NOTE:** All numbers refer to drawings. When ordering use seven-digit part number from parts list.



## SPECIFICATIONS

MODEL NO.	TOOL WEIGHT CAPACITY	TORQUE CAPACITY	A	B	C
SINGLE ARM SBA-12	5 lbs. (2.3 Kg)	10 ft. lbs. (13.5 Nm)	12 in. (305 mm)	12 in. (305 mm)	18 in. (457 mm)
	5 lbs. (2.3 Kg)	10 ft. lbs. (13.5 Nm)	12 in. (305 mm)	18 in. (457 mm)	18 in. (457 mm)
PARALLEL ARM PBA-12	5 lbs. (2.3 Kg)	10 ft. lbs. (13.5 Nm)	12 in. (305 mm)	12 in. (305 mm)	18 in. (457 mm)
	5 lbs. (2.3 Kg)	10 ft. lbs. (13.5 Nm)	12 in. (305 mm)	18 in. (457 mm)	18 in. (457 mm)

204015 Standard\*\*  
204167 Extended\*\*

204024\*\*

865088

204035

204023

**PBA-SERIES**

204011\*\*

833774\*\*

204009	PBA-12	204116	PBA-24
204008	PBA-18	204117	PBA-30

**TOOL HOLDER**  
\*\* 201675 Standard  
\*\* 201676 Extended

204087\*\*

204088\*\*

204089 (OUTSIDE)\*\*

204086 (INSIDE)

833109

201615	PBA-12	The arms include the inside bushings and the warning labels.
201616	PBA-18	
201617	PBA-24	
201618	PBA-30	

\* INCLUDED IN CLEVIS SUB ASSEMBLY 201677

204010

812231

204089

204006

204033

204003

204029\*

833109\*

**NOTE: THRUST WASHERS 863455 MUST BE INSTALLED PROPERLY AS SHOWN BELOW OR BEARINGS WILL BE DAMAGED.**

881283

204034

201690

204032

201611	SBA-12
201612	SBA-18
201613	SBA-24
201614	SBA-30
The arms include the inside bushings and the warning labels.	

204036

833774

204005

204027

OUTSIDE	204089*
INSIDE	204086

204007

812231

**SBA-SERIES**

204016\*

845688\*

863455

202032

LABEL BOTH SIDES

204030

863455

202032

204004

202032

863455

204014	12"
204122	18"
204119	24"
204120	30"

\*\*\*201609

\*\*\*204031

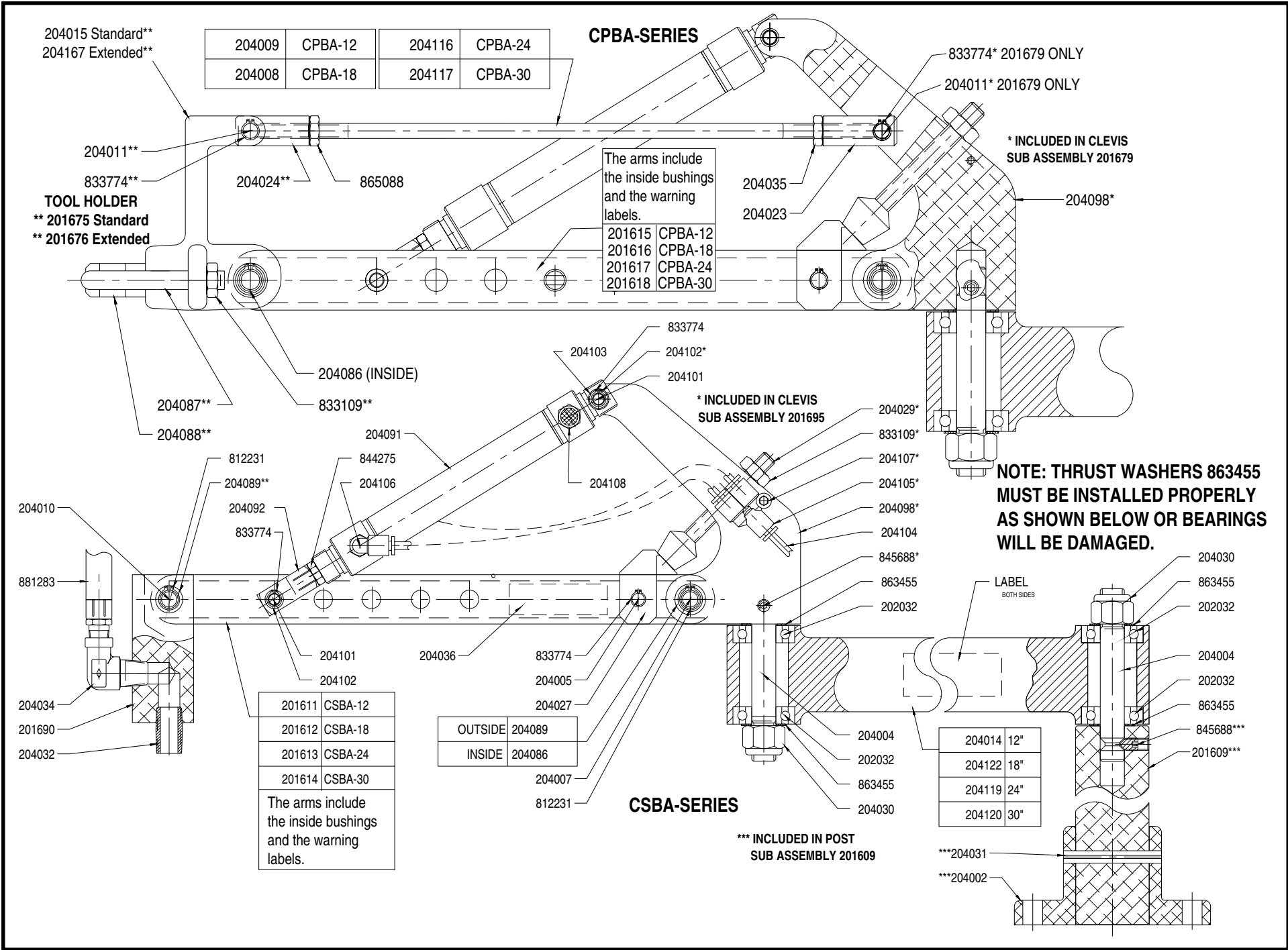
\*\*\*204002

\*\*\* INCLUDED IN POST SUB ASSEMBLY 201609

**CLECO BALANCE ARMS  
MODEL PBA & SBA PARTS LIST**

PART NO.	DESCRIPTION	QTY.
201609	Post Subassembly	1
201611	Arm (17-1/2" Long) SBA-18	1
201612	Arm (11-1/2" Long) SBA-12	1
201613	Arm (23-1/2" Long) SBA-24	1
201614	Arm (29-1/2" Long) SBA-30	1
201615	Arm (17-1/2" Long) PBA-18	1
201616	Arm (11-1/2" Long) PBA-12	1
201617	Arm (23-1/2" Long) PBA-24	1
201618	Arm (29-1/2" Long) PBA-30	1
201675	Standard Tool Holder Subassembly	1
201676	Extended Tool Holder Subassembly	1
201677	Clevis Subassembly	1
201690	SBA Tool Holder (Manifold Style) (INCL. 204032, 204034, 204089)	1
202032	Bearing	4
204003	Clevis Spring Pin	1
204004	Pivot Post Pin	2
204005	Plastic Stop Pin	1
204006	Arm Spring Pin	1
204007	Pivot Pin	1
204008	Parallel Rod (15 -1/2" Long)	1
204009	Parallel Rod (9 -1/2" Long)	1
204010	Manifold Pivot Pin	1
204011	Parallel Pivot Pin	1
204014	Articulating Arm (12")	1
204015	Standard Parallel Tool Holder (INCL. 204089)	1
204016	Spring Arm Clevis (INCL. 204089 & 845688)	1
204023	Left Rod Clevis	1
204024	Right Rod Clevis	1
204027	Plastic Clip	1
204029	Rubber Spindle	1
204030	1/2" -13 Nylon Insert Jam Nut	1
204032	1/4" Close Brass Nipple	1
204033	Extension Spring	2
204034	1/4 x 1/4 90° Hose Elbow	1
204035	Right Rod Clevis Lock Nut	1
204036	Warning Label	2
204086	Bushing (Inside) (SBA 1 Only)	2
204087	Parallel Tool Holder - U Bolt W/Nuts	1
204088	Parallel Tool Holder - Plastic Clip	1
204089	Bushing (Outside)	4
204116	Parallel Rod (21 -1/2" Long)	1
204117	Parallel Rod (27 -1/2" Long)	1
204119	Articulating Arm (24")	1
204120	Articulating Arm (30")	1
204122	Articulating Arm (18")	1
204167	Extended Parallel Tool Holder (INCL. 204089)	1
812231	Retaining Ring	4
833109	Spindle Nut	1
833774	Retainer Ring (2 Only for SBA series)	4
845688	1/4" -20 x 3/8" Lg. Cone Pt. Set Screw	2
863455	Thrust Washer	4
865088	Left Rod Clevis Lock Nut	1
881283	1/4" I.D. Air Hose— 8 feet	1

Mounts & Accessories are shown on Page 10 thru 13.





## CLECO BALANCE ARMS

### MODEL CPBA & CSBA PARTS LIST & MOUNTS & ACCESSORIES PARTS LIST

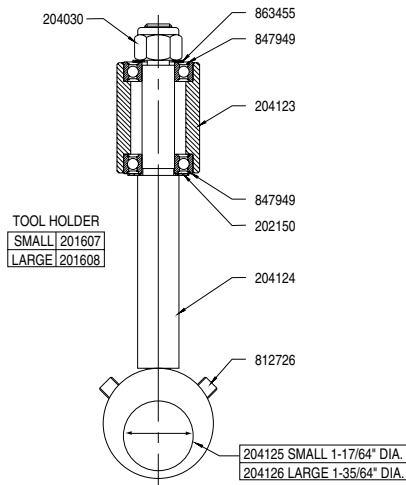
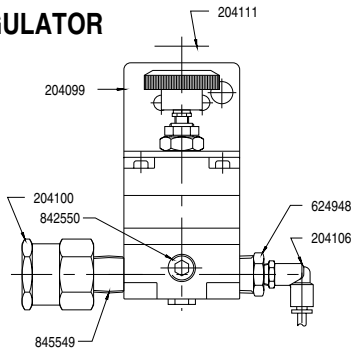
PART NO.	DESCRIPTION	QTY.	PART NO.	DESCRIPTION	QTY.
201609	Post Subassembly	1	204091	Cylinder	2
201611	Arm (11-1/2" Long) CSBA-12	1	204092	Cylinder Bracket	2
201612	Arm (17-1/2" Long) CSBA-18	1	204093	Regulator	1
201613	Arm (23-1/2" Long) CSBA-24	1	204098	Parallel Cylinder Arm Clevis (INCL. 204089)	1
201614	Arm (29-1/2" Long) CSBA-30	1	204099	Regulator Bracket	1
201615	Arm (11-1/2" Long) CPBA-12	1	204100	Large Regulator Adaptor	1
201616	Arm (17-1/2" Long) CPBA-18	1	204101	Cylinder Pin	2
201617	Arm (23-1/2" Long) CPBA-24	1	204102	Cylinder Pin Bushing	2
201618	Arm (29-1/2" Long) CPBA-30	1	204103	Spacer	2
201675	Standard Tool Holder Subassembly	1	204104	Hose	1
201676	Extended Tool Holder Subassembly	1	204105	Hose Connector	1
201679	Clevis Subassembly	1	204106	Cylinder Elbow	2
201690	CSBA Tool Holder (Manifold Style) (INCL. 204032, 204034, 204089)	1	204107	Hose Connector Screw	1
202032	Bearing	4	204108	Muffler	2
202150	Large Thrust Washer	1	204111	Regulator Label	1
204000	Wall Mount Plate	1	204116	Parallel Rod (21 -1/2" Long)	1
204001	Pivot Bracket	1	204117	Parallel Rod (27 -1/2" Long)	1
204002	Base	1	204119	Articulating Arm (24")	1
204004	Pivot Post	2	204120	Articulating Arm (30")	1
204005	Plastic Stop Pin	1	204122	Articulating Arm (18")	1
204007	Pivot Pin	1	204123	Housing SBT	1
204008	Parallel Rod (15 -1/2" Long)	1	204124	Shaft SBT	1
204009	Parallel Rod (9 -1/2" Long)	1	204125	Small Ring SBT Holder	1
204010	Manifold Pivot Pin	1	204126	Large Ring SBT Holder	1
204011	Parallel Pivot Pin	1	412985	Pin	1
204012	Adjustable Post 30"	1	622384	1/4" -20 x 3/4" Lg. Socket Head Cap Screw	4
204013	Post	1	622861	Washer	1
204014	Articulating Arm (12")	1	624948	Small Regulator Adaptor	1
204017	Post Clamp Bracket	1	812004	Button Head Screw	2
204018	Clamp Plate	1	812231	Retaining Ring	4
204019	Insert Block	1	812726	Set Screw SBT	2
204020	External Swivel	1	832638	Roll Pin	1
204021	Swivel Pin	1	833109	Spindle Nut	1
204023	Left Rod Clevis	1	833774	Retainer Ring (CPBA requires 10)	6
204024	Right Rod Clevis	1	842550	Regulator Mounting Bracket Bolt	1
204027	Plastic Clip	1	843761	3/8" -16 Nut	2
204029	Rubber Spindle	1	845549	Pipe Nipple	1
204030	1/2" -13 Nylon Insert Jam Nut	2	845676	3/8" -16 x 1" Lg. Socket Hd. Cap Screw	2
204031	1/4" x 2" Lg. Roll Pin	1	845688	1/4" -20 x 3/8" Lg. Cone Pt. Set Screw	2
204032	1/4" Close Brass Nipple	1	847949	Bearing SBT	2
204034	1/4 x 1/4 90° Hose Elbow	1	863455	Thrust Washer	4
204035	Right Rod Clevis Lock Nut	1	865088	Left Rod Clevis Lock Nut	1
204036	Warning Label	2	881283	1/4" I.D. Air Hose— 8 feet	1
204086	Bushing (Inside) (CSBA 1 Only)	2			
204087	Parallel Tool Holder - U Bolt W/Nuts	1			
204088	Parallel Tool Holder - Plastic Clip	1			
204089	Bushing (Outside)	4			
	<b>Mounts &amp; Accessories are shown on Page 10 thru 13.</b>				

# MOUNTS & ACCESSORIES FOR BALANCE ARM

## 521060 - HEAVY DUTY WEIGHT KIT

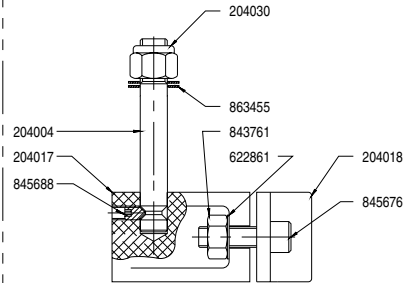
HEAVY DUTY WEIGHT KIT 521060		
PART NO.	NAME	QTY.
204109	ARM PIN	1
204110	CLEVIS PIN	1
204033	SPRING	2

## REGULATOR

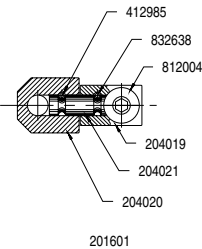


## SWIVEL TOOL HOLDER

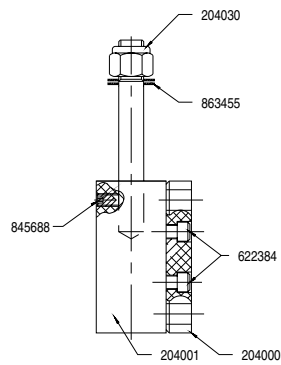
TOOL HOLDER  
SMALL | 201607  
LARGE | 201608



## 201602 - CLAMP BRACKET KIT ADJUSTABLE HEIGHT

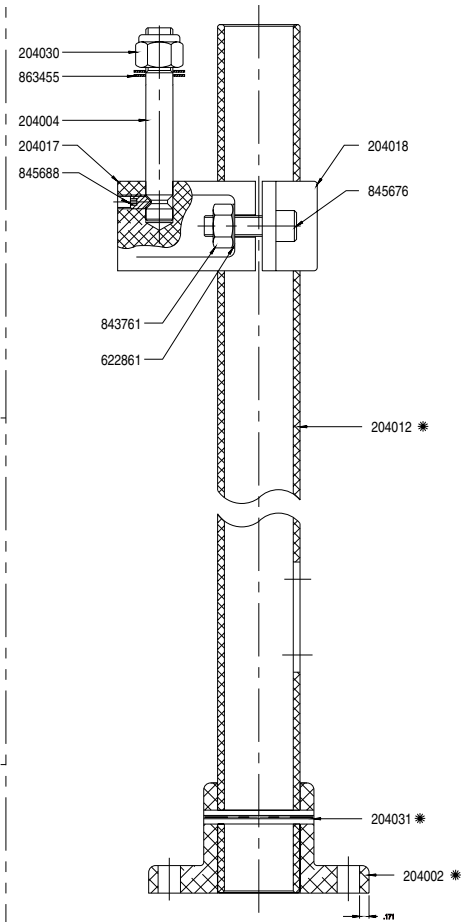


## 201601 - SWIVEL ASSEMBLY



## 201600 - WALL MOUNT

## 521013 - AH-30 ASSEMBLY KIT



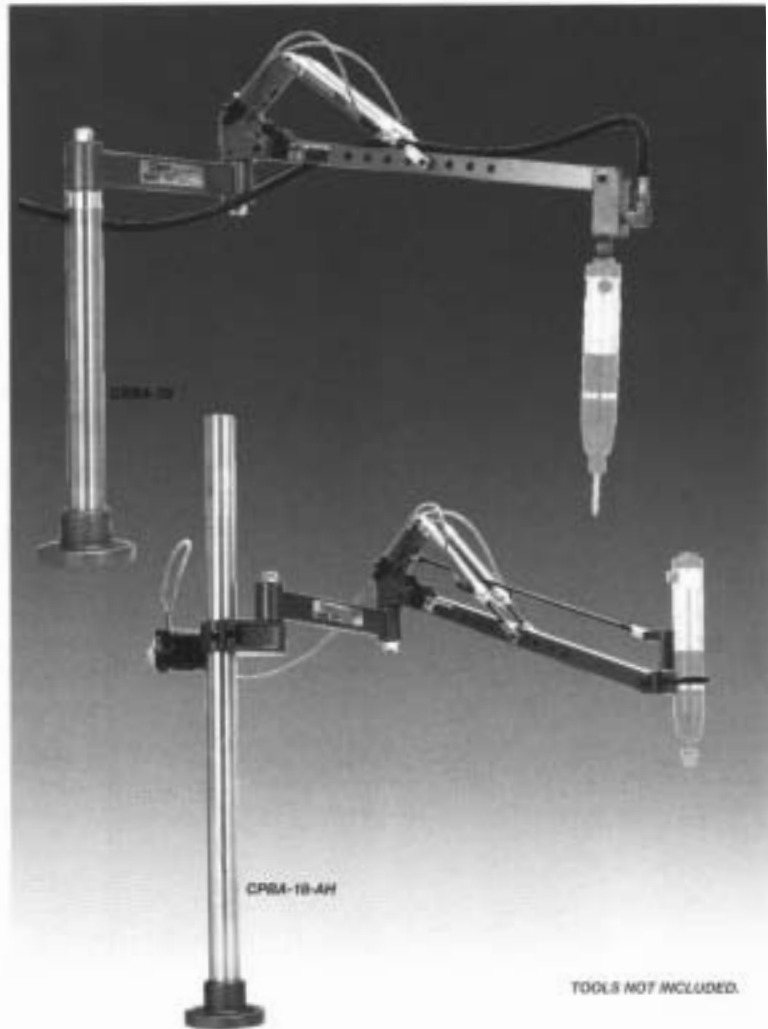
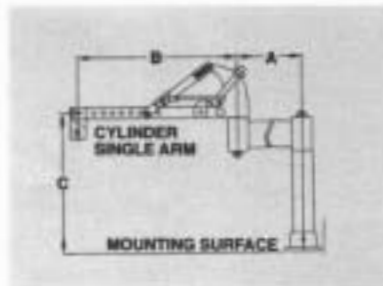
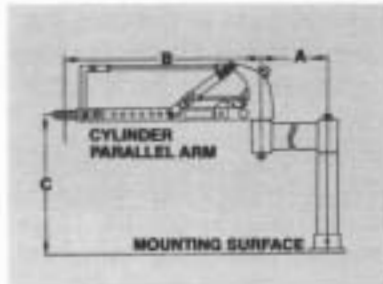
\* INCLUDED IN SUB-ASS'Y 201610

Mounts & Accessories parts list shown on Page 9.

## Air Cylinder

# Cleco®

- Ball bearing construction
- Supports tools weighing up to 10 lbs.
- Post, wall, or adjustable height post mounting
- Single or parallel arms



Single Arms		Parallel Arms		Dimensions							
Model No.	Code No.	Model No.	Code No.	A		B		C		Post Height	
				in.	mm	in.	mm	in.	mm	in.	mm
CSBA-12	520163	CPBA-12	520176	12	305	12	305	18	457	-	-
CSBA-18	520160	CPBA-18	520170	12	305	18	457	18	457	-	-
CSBA-24	520200	CPBA-24	520202	12	305	24	610	18	457	-	-
CSBA-30	520201	CPBA-30	520203	12	305	30	762	18	457	-	-
CSBA-12-AH	520165	CPBA-12-AH	520178	12	305	12	305	-	-	30	762
CSBA-18-AH	520162	CPBA-18-AH	520172	12	305	18	457	-	-	30	762
CSBA-30-AH	520167	CPBA-30-AH	520215	12	305	30	762	-	-	30	762
CSBA-12-WM	520164	CPBA-12-WM	520177	12	305	12	305	-	-	-	-
CSBA-18-WM	520161	CPBA-18-WM	520171	12	305	18	457	-	-	-	-
CSBA-24-WM	520204	CPBA-24-WM	520206	12	305	24	610	-	-	-	-
CSBA-30-WM	520205	CPBA-30-WM	520207	12	305	30	762	-	-	-	-

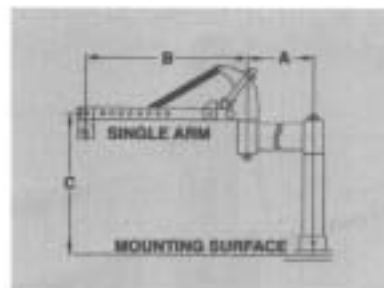
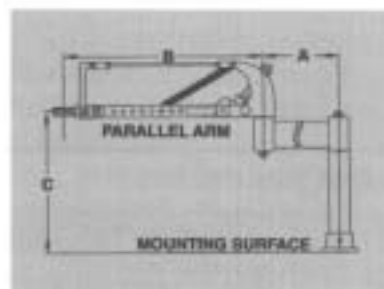
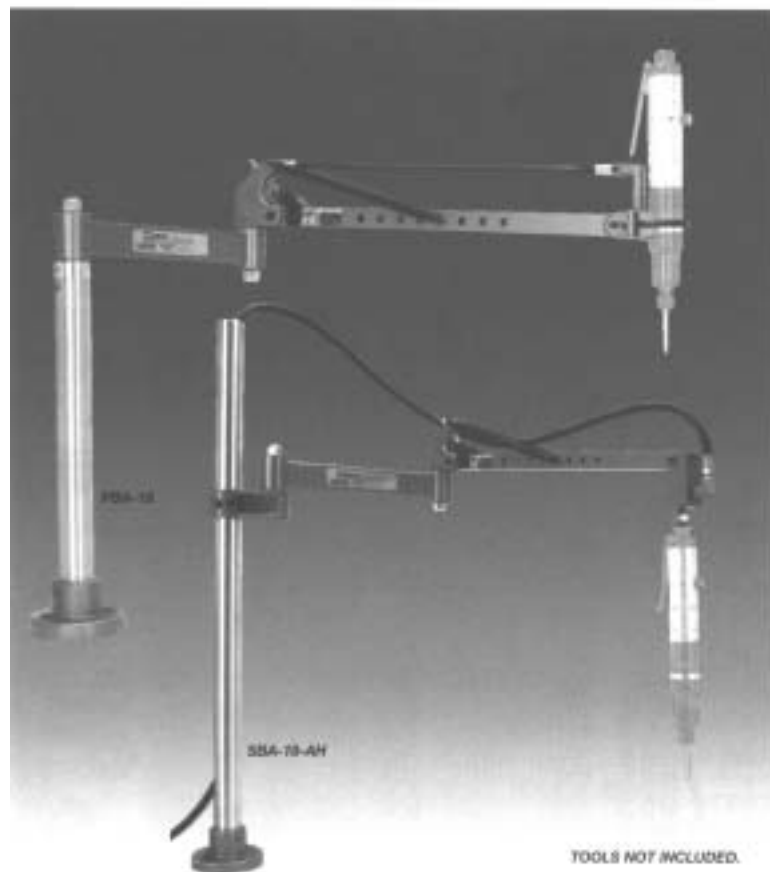
AH = Adjustable Height  
 WM = Wall Mounted  
 Tool weight capacity: 10 lbs. (4.5 kg)  
 Torque capacity: 10 ft. lbs. (13.5 Nm)

**STANDARD EQUIPMENT**  
 Operating Instructions and Service Manual  
 Regulator for Air Cylinders  
 Threaded Nipples for CSBA Models  
 1/4 NPT Hex Nipple: 204032-7  
 1/4 NPT x 1/8 NPT Hex Reducer  
 Nipple: 204137-4

**OPTIONAL EQUIPMENT**  
 Additional accessories: See page 26.

# Cleco®

- Ball bearing construction
- Supports tools weighing up to 5 lbs.
- Post, wall, or adjustable height post mounting
- Single or parallel arms

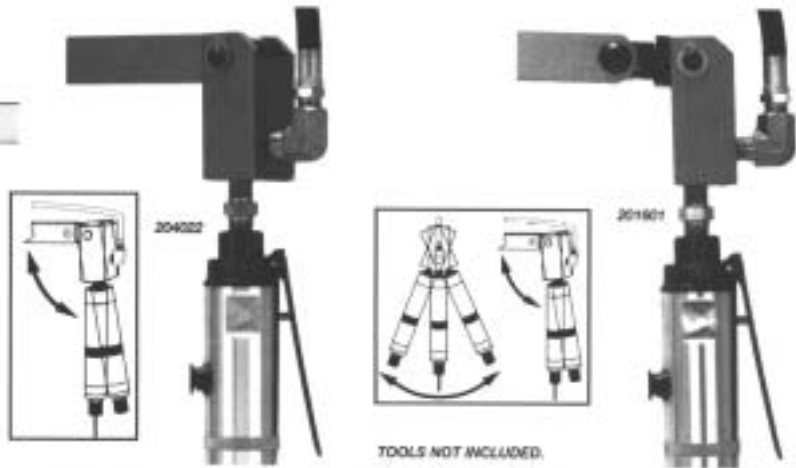


Single Arms		Parallel Arms		Dimensions							
Model No.	Code No.	Model No.	Code No.	A		B		C		Post Height	
				in.	mm	in.	mm	in.	mm	in.	mm
SBA-12	520001	PBA-12	520007	12	305	12	305	18	457	-	-
SBA-18	520004	PBA-18	520010	12	305	18	457	18	457	-	-
SBA-24	520040	PBA-24	520045	12	305	24	610	18	457	-	-
SBA-30	520042	PBA-30	520048	12	305	30	762	18	457	-	-
		PBA-18-18	520034	18	457	18	457	18	457	-	-
SBA-12-AH	520003	PBA-12-AH	520009	12	305	12	305	-	-	30	762
SBA-18-AH	520006	PBA-18-AH	520012	12	305	18	457	-	-	30	762
SBA-24-AH	520110	PBA-24-AH	520047	12	305	24	610	-	-	30	762
SBA-30-AH	520044	PBA-30-AH	520050	12	305	30	762	-	-	30	762
		PBA-18-18-AH	520036	18	457	12	305	-	-	30	762
SBA-12-24-AH	520063			24	610	12	305	-	-	30	762
SBA-12-WM	520002	PBA-12-WM	520008	12	305	12	305	-	-	-	-
SBA-18-WM	520005	PBA-18-WM	520011	12	305	18	457	-	-	-	-
SBA-24-WM	520041	PBA-24-WM	520046	12	305	24	610	-	-	-	-
SBA-30-WM	520043	PBA-30-WM	520049	12	305	30	762	-	-	-	-
		PBA-18-18-WM	520035	18	457	18	457	-	-	-	-
AH = Adjustable Height WM = Wall Mounted Tool weight capacity: 5 lbs. (2.3 kg) Torque capacity: 10 ft. lbs. (13.5 Nm)				<b>STANDARD EQUIPMENT</b> Operating Instructions and Service Manual Threaded Nipples for SBA Models 1/4 NPT Hex Nipple: 204032-7 1/4 NPT x 1/8 NPT Hex Reducer Nipple: 204137-4				<b>OPTIONAL EQUIPMENT</b> Additional accessories: See page 28.			

## Balance Arms

### Single Arm Tool Holders

Part No.	Description
204022	Manifold tool holder
201601	Swivel manifold tool holder



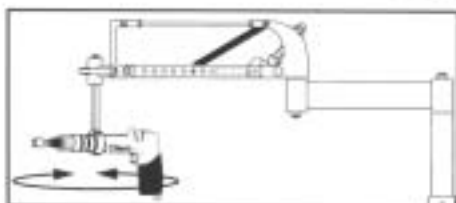
TOOLS NOT INCLUDED.

### Parallel Arm Tool Holders

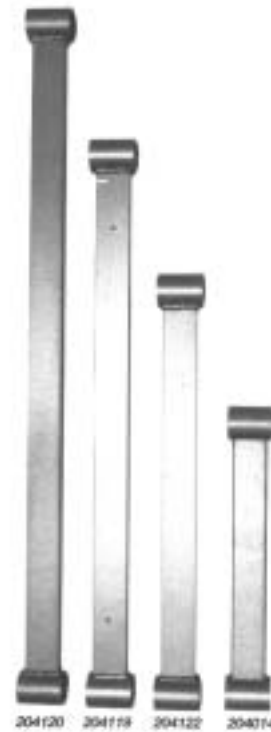
Part No.	Description
204015	Parallel tool holder
204167	Extended parallel tool holder
201607	Swivel tool holder (small)
201608	Swivel tool holder (large)



TOOLS NOT INCLUDED.



### Articulating Arm Extensions



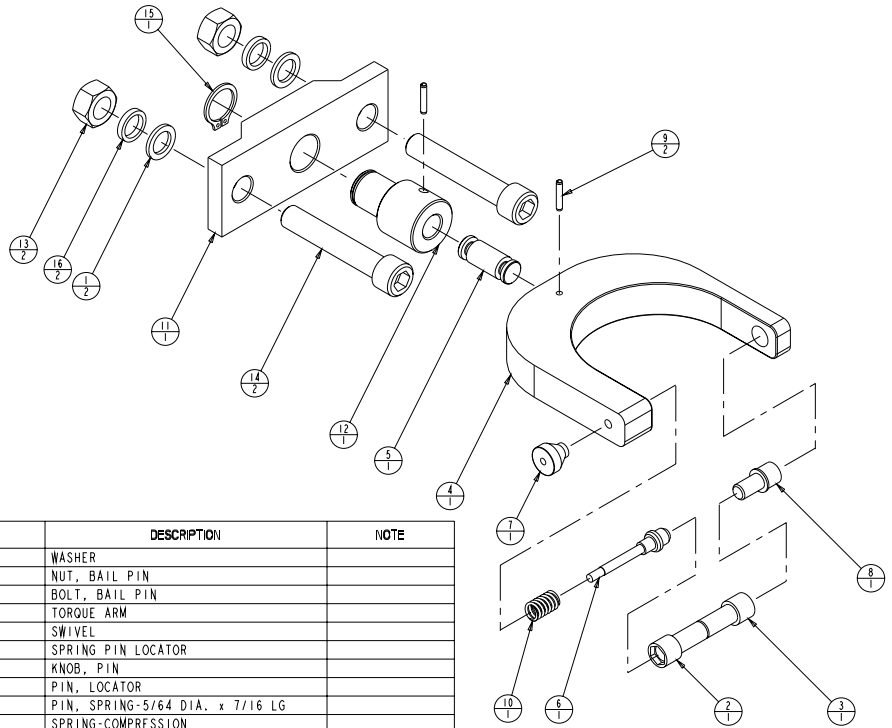
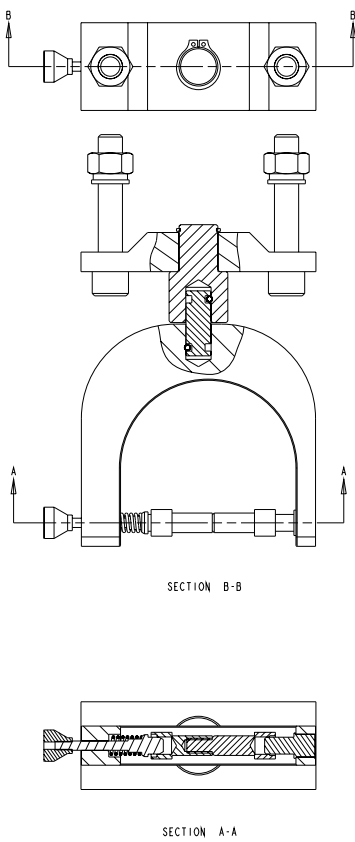
Part No.	Length (in.)
204014	12
204122	18
204119	24
204120	30

### Conversion Kits for Cleco Screwdriver Balance Arms

To Convert Balance Arms		Part No.
From	To	
SBA-12	PBA-12"	521041
SBA-18	PBA-18"	521042
Spring	Cylinder	201606
SBA or PBA Standard Duty	SBA or PBA Heavy Duty**	521060

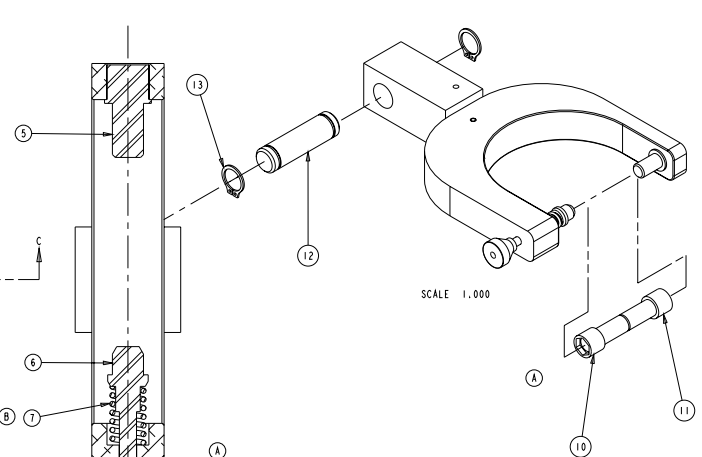
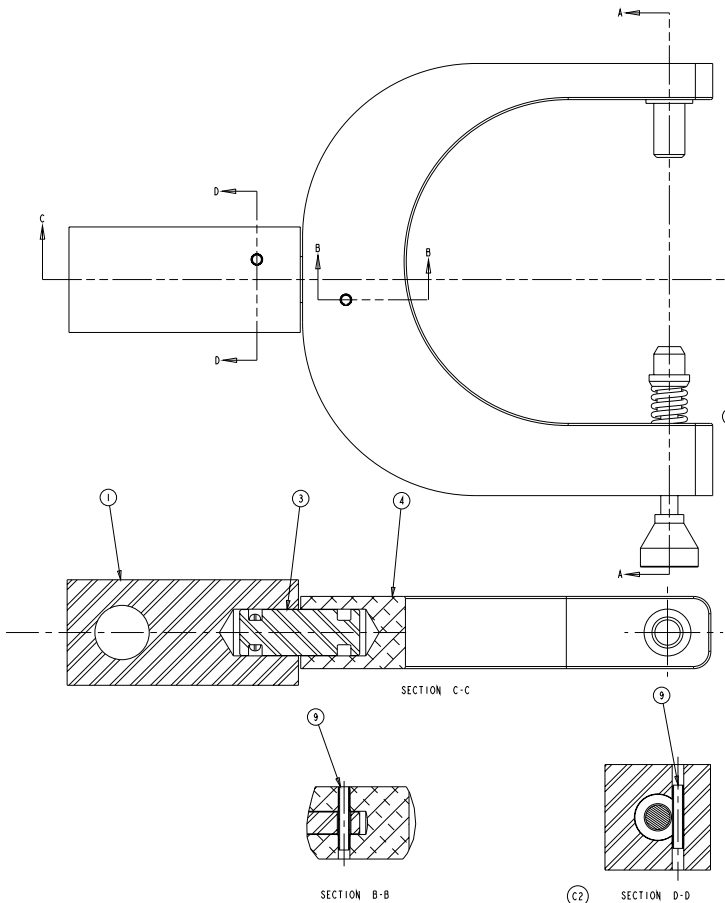
\* Conversion kits for -24 and -30 models are available upon request.  
 \*\* Has four springs to support heavier tools or longer arms.

# ELECTRIC SCREWDRIVER HOLDER FOR PARALLEL ARM BALANCE ARMS - 301098



ITEM	QTY	PART NO.	DESCRIPTION	NOTE
1	2	204168	WASHER	
2	1	205932	NUT, BAIL PIN	
3	1	205933	BOLT, BAIL PIN	
4	1	205934	TORQUE ARM	
5	1	205935	SWIVEL	
6	1	205936	SPRING PIN LOCATOR	
7	1	205938	KNOB, PIN	
8	1	205939	PIN, LOCATOR	
9	2	205940	PIN, SPRING-5/64 DIA. x 7/16 LG	
10	1	205997	SPRING-COMPRESSION	
11	1	207012	PARALLEL ARM ADAPTER	
12	1	207013	PARALLEL ARM PIVOT POST	
13	2	833109	NUT, 5/16"-18 HEX	
14	2	842554	SCREW, 5/16"-18 x 1-3/4" SHCS	
15	1	843791	RETAINING RING	
16	2	844912	LOCKWASHER	

# ELECTRIC SCREWDRIVER HOLDER FOR SINGLE ARM BALANCE ARMS - 301083



ITEM	QTY	PART NO.	DESCRIPTION
1	1	205937	BRACKET
2			
3	1	205935	SWIVEL
4	1	205934	TORQUE ARM
5	1	205939	LOCATOR PIN
6	1	205936	SPRING PIN LOCATOR
7	1	205997	SPRING
8	1	205938	PIN, KNOB
9	2	205940	SPRING PIN-5/64 DIA x 7/16 LG
10	1	205932	NUT, BAIL PIN
11	1	205933	BOLT, BAIL PIN
12	1	205957	PIN, DOWEL
13	2	812231	RING, RETAINING

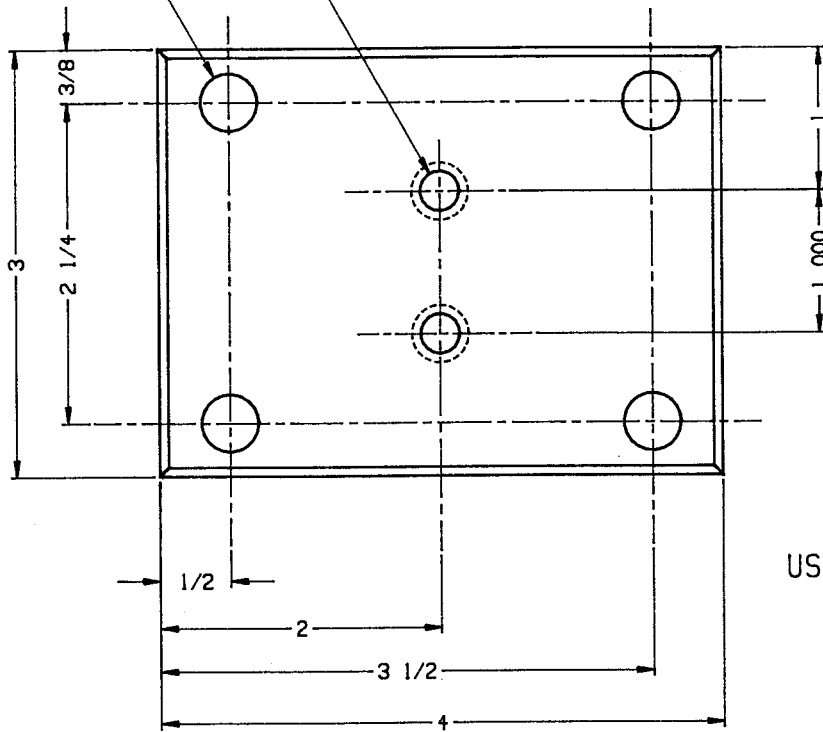
NOTE:  
 1. PART NUMBERS 205932 & 205933 INCLUDED IN ASSEMBLY 301083 TO BE INSTALLED IN TOOL.  
 2. PART NUMBERS 812231 & 205957 INCLUDED IN ASSEMBLY 301083 TO BE INSTALLED IN BALANCE ARM.

# Template for Wall & Post Mount

13/32 DRILL THRU  
4-PLACES

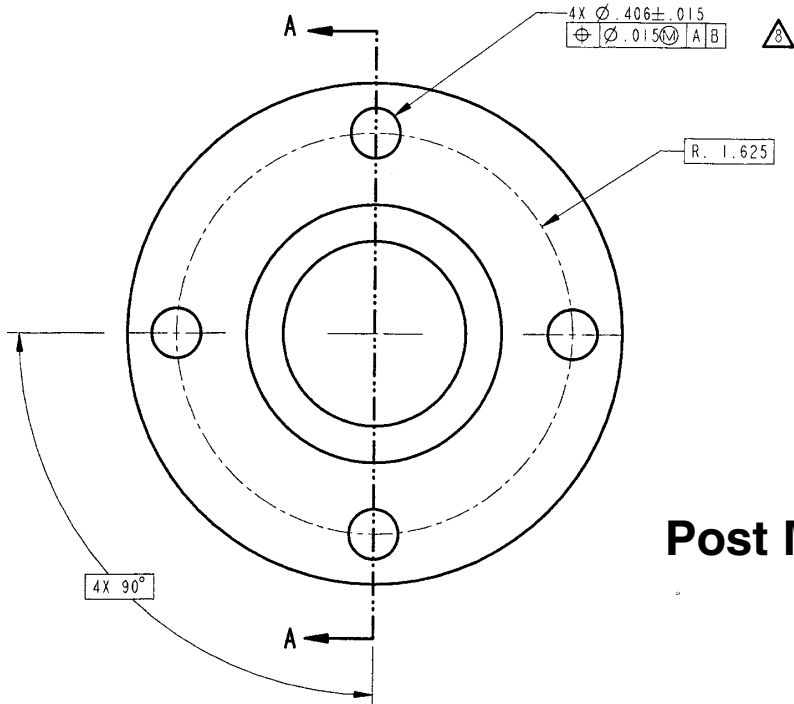
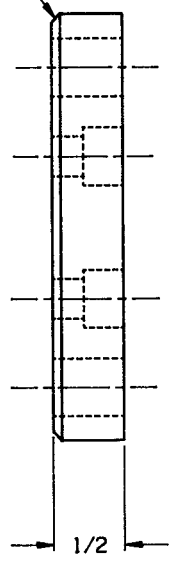
13/32 DIA. X 9/32 DEEP  
9/32 DRILL THRU  
2 PLACES - FROM OPPOSITE SIDE

1/16 X 45°  
ALL AROUND

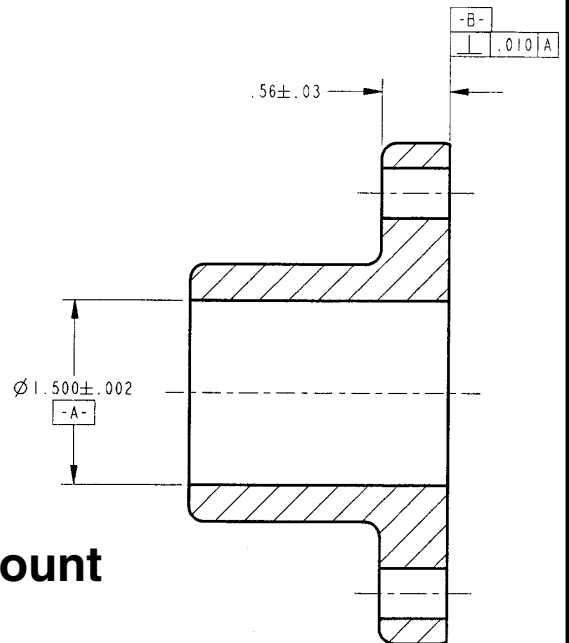


USED ON 201600

**Wall**



**Post Mount**



SECTION A-A

## Sales & Service Centers

**Note:** All locations may not service all products. Please contact the nearest Sales & Service Center for the appropriate facility to handle your service requirements.

Dallas, TX  
**Apex Tool Group  
Sales & Service Center**  
1470 Post & Paddock  
Grand Prairie, TX 75050  
Tel: 972-641-9563  
Fax: 972-641-9674

Detroit, MI  
**Apex Tool Group  
Sales & Service Center**  
2630 Superior Court  
Auburn Hills, MI 48326  
Tel: 248-391-3700  
Fax: 248-391-7824

Houston, TX  
**Apex Tool Group  
Sales & Service Center**  
6550 West Sam Houston  
Parkway North, Suite 200  
Houston, TX 77041  
Tel: 713-849-2364  
Fax: 713-849-2047

Lexington, SC  
**Apex Tool Group**  
670 Industrial Drive  
Lexington, SC 29072  
Tel: 800-845-5629  
Tel: 803-951-7544  
Fax: 803-358-7681

Los Angeles, CA  
**Apex Tool Group  
Sales & Service Center**  
15503 Blackburn Avenue  
Norwalk, CA 90650  
Tel: 562-623-4457  
Fax: 562-802-1718

Seattle, WA  
**Apex Tool Group  
Sales & Service Center**  
2865 152nd Avenue N.E.  
Redmond, WA 98052  
Tel: 425-497-0476  
Fax: 425-497-0496

York, PA  
**Apex Tool Group  
Sales & Service Center**  
3990 East Market Street  
York, PA 17402  
Tel: 717-755-2933  
Fax: 717-757-5063

Canada  
**Apex Tool Group  
Sales & Service Center**  
5925 McLaughlin Road  
Mississauga, Ont. L5R 1B8  
Canada  
Tel: 905-501-4785  
Fax: 905-501-4786

Germany  
Cooper Power Tools  
GmbH & Co. OHG  
a company of  
Apex Tool Group, LLC  
Industriestraße 1  
73463 Westhausen  
Germany  
Tel: +49 (0) 73 63 81 0  
Fax: +49 (0) 73 63 81 222

England  
Cooper Power Tools  
GmbH & Co. OHG  
a company of  
Apex Tool Group, LLC  
C/O Spline Gauges  
Piccadilly, Tamworth  
Staffordshire B78 2ER  
United Kingdom  
Tel: +44 1827 8741 28  
Fax: +44 1827 8741 28

France  
Cooper Power Tools SAS  
a company of  
Apex Tool Group, LLC  
25 rue Maurice Chevalier  
77330 Ozoir-La-Ferrière  
France  
Tel: +33 1 6443 2200  
Fax: +33 1 6443 1717

China  
Cooper (China) Co., Ltd.  
a company of  
Apex Tool Group, LLC  
955 Sheng Li Road,  
Heqing Pudong, Shanghai  
China 201201  
Tel: +86-21-28994176  
Fax: +86-21-51118446

Mexico  
Cooper Tools  
de México S.A. de C.V.  
a company of  
Apex Tool Group, LLC  
Vialidad El Pueblito #103  
Parque Industrial Querétaro  
Querétaro, QRO 76220  
Mexico  
Tel: +52 (442) 211-3800  
Fax: +52 (442) 103-0443

Brazil  
Cooper Tools Industrial Ltda.  
a company of  
Apex Tool Group, LLC  
Av. Liberdade, 4055  
Zona Industrial - Iporanga  
SP Brazil  
Tel: +55 15 2383929  
Fax: +55 15 2383260

Hungary  
Cooper Tools Hungaria Kft.  
a company of  
Apex Tool Group, LLC  
Berkenyefa sor 7  
Pf: 640  
9027 Győr  
Hungary  
Tel: +36 96 66 1383  
Fax: +36 96 66 1135

Apex Tool Group, LLC  
1000 Lufkin Road  
Apex, NC 27539  
Phone: 919-387-0099  
Fax: 919-387-2614  
www.apextoolgroup.com

# Cleco®