

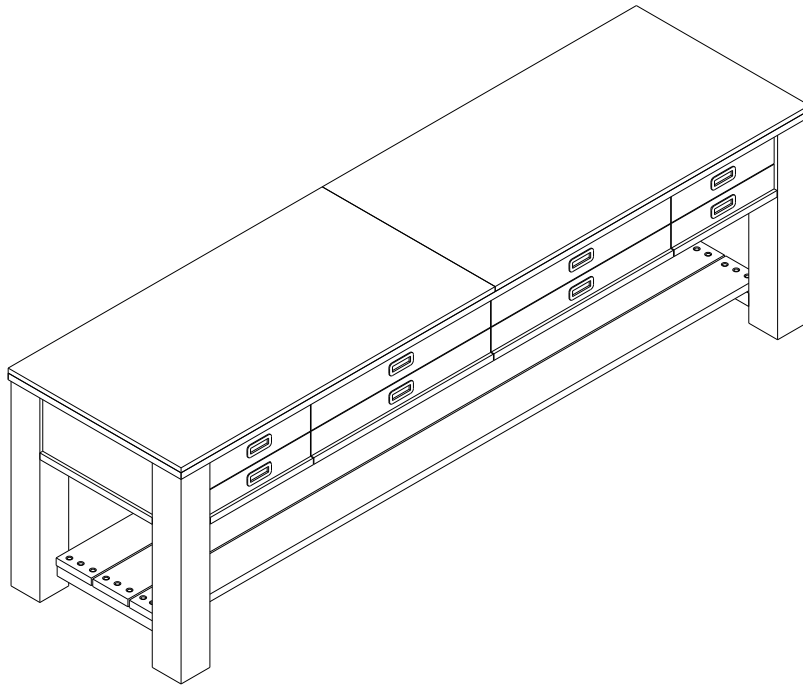


MODEL NO. BB-HS-A09

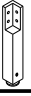

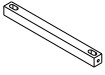

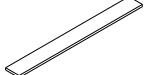
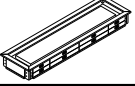

SHUFFLEBOARD TABLE

Owner's Manual

ASSEMBLY OPERATION & CARE INSTRUCTIONS



REPLACEMENT PARTS LIST

PACKAGE	ITEM#	SAMPLE	DESCRIPTION	QTY.
LEG	1		LEFT LEG	2
	2		RIGHT LEG	2
	3		LEG CROSS	2
	4		LEG PAD	3
	5		LEG BEAM	3
CABINET	6		CABINET	1
	7		DINING TOP	2

REPLACEMENT PARTS LIST(HARDWARE)




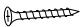




PACKAGE	ITEM#	SAMPLE	DESCRIPTION	QTY.
LEG	H1		STUD BOLT 3/8" x 4-1/4"	4
	H2		FLAT WASHER 3/8" I.D.	4
	H3		HEX NUT 3/8" I.D.	4
	H4		FLAT HEAD SCREW 5/16" X 2"	18
	H5		HEX HEAD CROSS BOLT 5/16" x 1-1/4"	16
	H6		FLAT WASHER 5/16" I.D.	16
	H7		HEX HEAD CROSS BOLT 5/16" x 4"	6
	H8		FLAT WASHER 5/16" I.D.	6

FIG.1

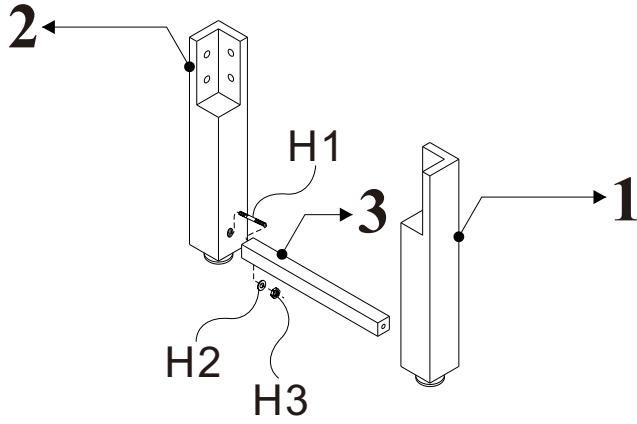


FIG.2

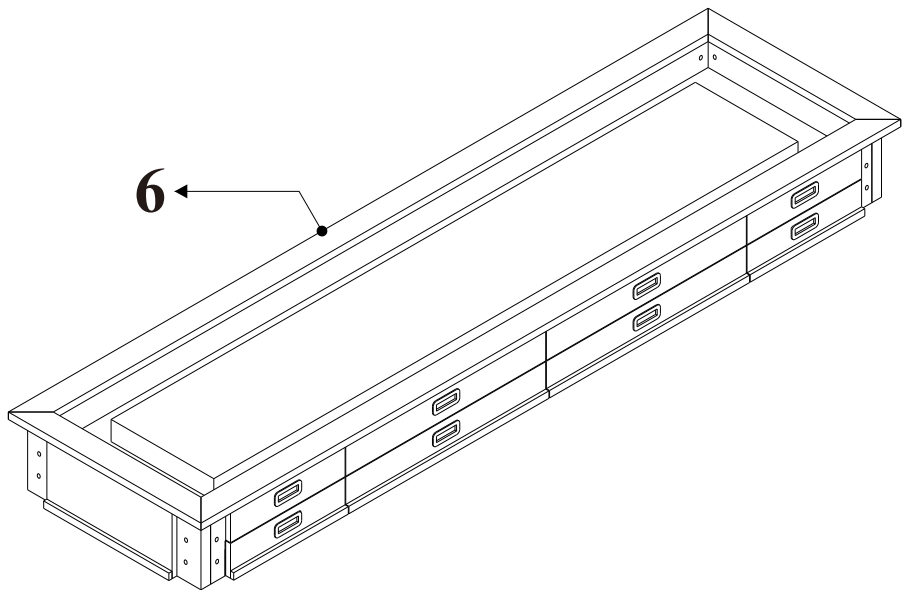
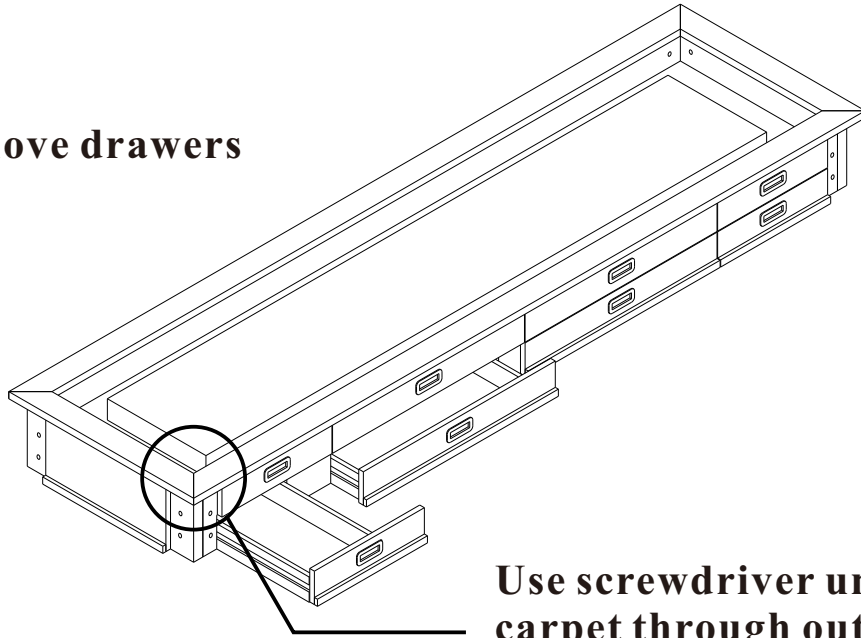


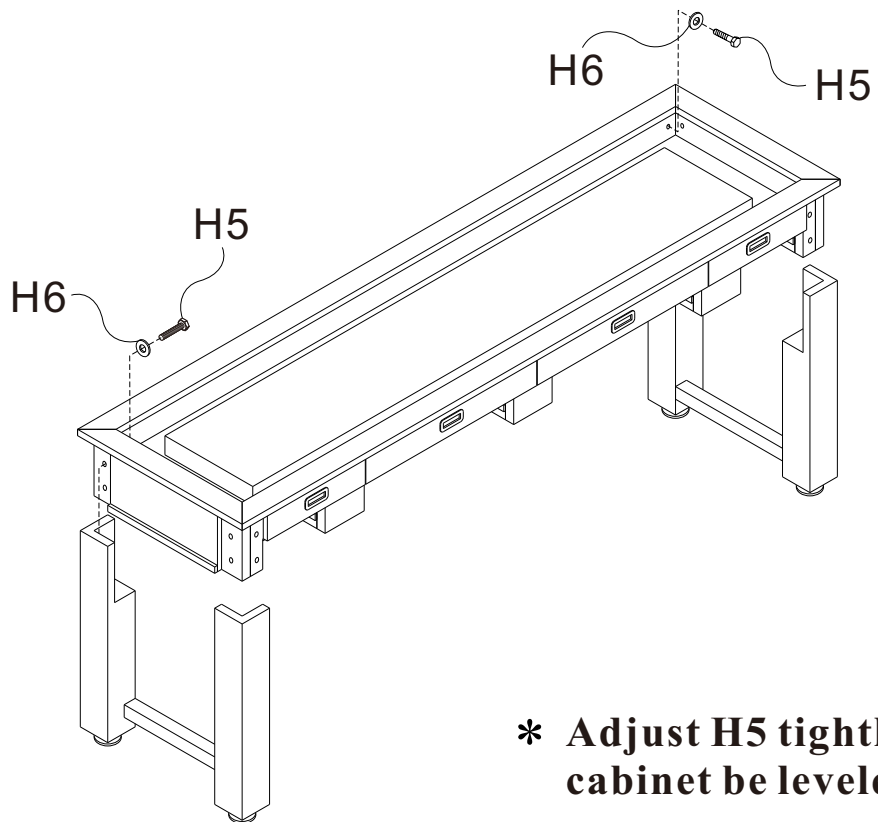
FIG.3

*** Remove drawers**



Use screwdriver uncover the carpet through outside holes of cabinet

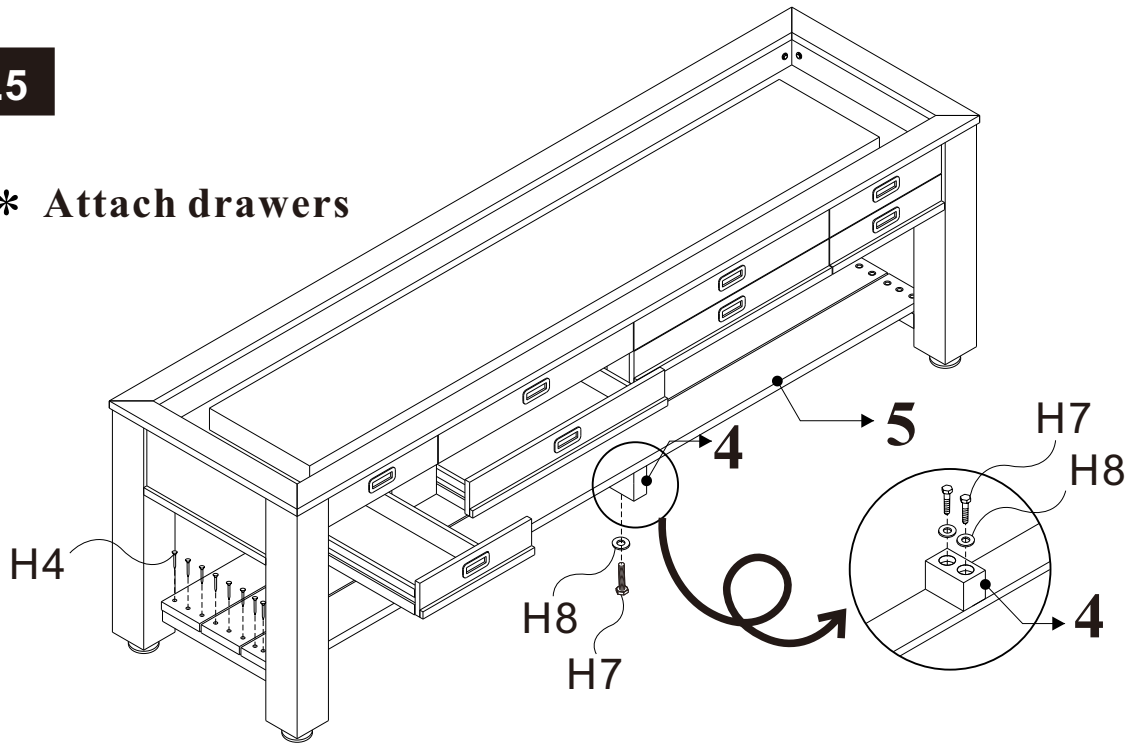
FIG.4



*** Adjust H5 tightly after cabinet be leveled**

FIG.5

*** Attach drawers**



Finish

