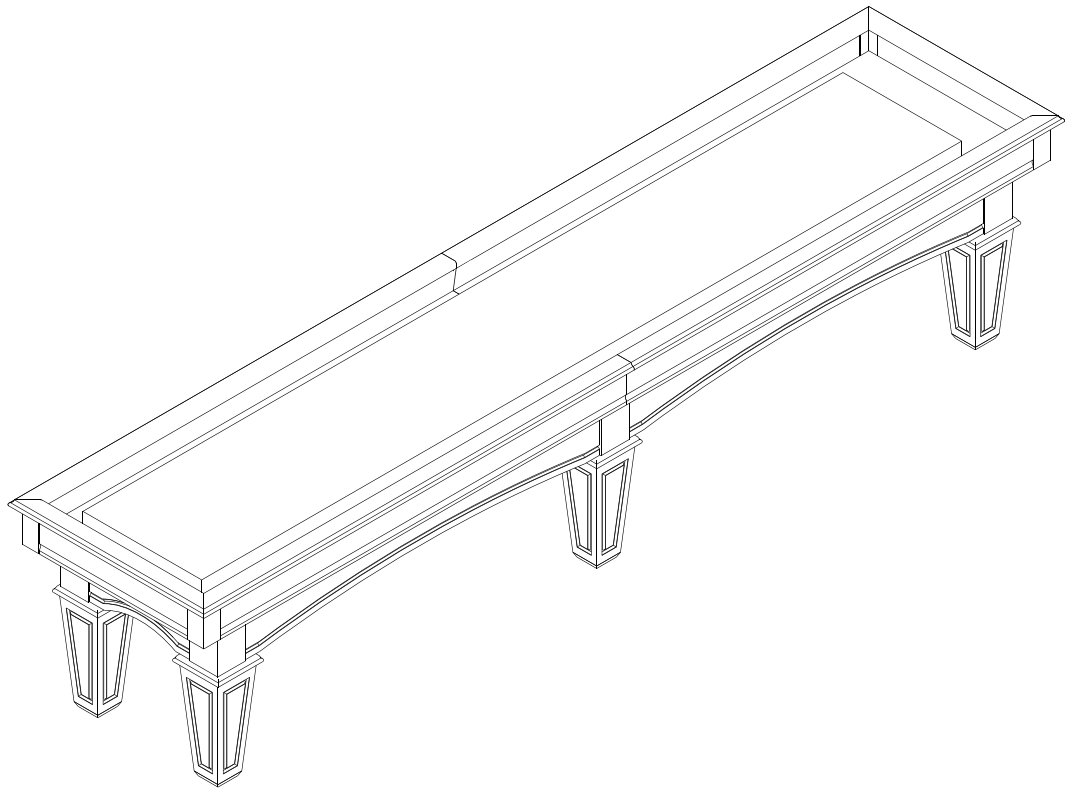


ASSEMBLY INSTRUCTIONS



St. Lawrence / Charles River

Models:

- SHSLES - Espresso 12' & 14'
- SHSLCT - Chestnut 12' & 14'
- SHCRES - Espresso 12' & 14'
- SHCRCT - Chestnut 12' & 14'



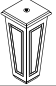

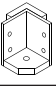
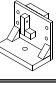

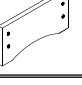
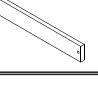
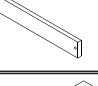

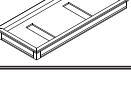
Congratulations on selecting a St. Lawrence or Charles River shuffleboard table - part of the Fairfield Collection by Playcraft. Please contact us toll free at (888) 367-3095 or via email at support@playcraft.com should you require any assistance.

Please carefully read all safety instructions and directions before proceeding

- 1) Your table is designed for use indoors in a climate controlled environment only. Damage can occur if the table is exposed to water, dampness, high humidity, freezing temperatures, etc.
- 2) The shuffleboard cradle and playfield are extremely heavy. Two or more people are required for assembly.
- 3) The table must be assembled in the final location where the table will be played. Attempting to move the table once assembled could result in damage to the table or serious injury.
- 5) Only use the table for its intended purpose
- 6) Damaged or worn parts may be dangerous for users and the integrity of the table. Replace worn or damaged components immediately and do not use the table until any issues have been resolved. For best results, use only spare parts supplied by Playcraft.
- 7) Unauthorized repairs or altering the table's design or functions may be dangerous and will void the warranty.
- 8) Check all screws, bolts, etc. on a regular basis to ensure that they are in good working condition and have not loosened over time.
- 9) Over time, shuffleboard table cradles may require leveling and the playfield climatic adjusters may require adjusting. This is considered normal maintenance as required with owning a shuffleboard table



The part images shown below may differ based on the specific model within the Fairfield Collection by Playcraft that you purchased. The assembly process is the same for all models in the Collection.

Parts List - cradle components				
	PART #	IMAGE	DESCRIPTION	QTY
LEGS	1		CORNER LEG	4
	2		MIDDLE LEG	2
	3		CORNER LEG BRACKET	4
	4		MIDDLE LEG BRACKET	2
CRADLE	5		SIDE PANEL	4
	6		END PANEL	2
	7		LONG CROSS BEAM	2
	8		SHORT CROSS BEAM	1
	9		PLAYFIELD	1
	10		CRADLE	2
PLAYING EQUIPMENT	11		WEIGHT SET 4 BLUE & 4 RED	1
	12		GRANULAR SPEED WAX	1
	13		BOARD SWEEP	1

Parts List - hardware











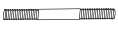




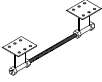
	PART #	IMAGE	DESCRIPTION	QTY
LEGS	H1		HEX BOLT 3/8" X 4-5/16"	6
	H2		FLAT WASHER 3/8" I.D.	6
	H3		HEX BOLT 3/8" X 4-5/16"	24
	H4		FLAT WASHER 3/8" I.D.	24
CRADLE	H5		HEX BOLT 3/8" X 4-5/16"	6
	H6		FLAT WASHER 3/8" I.D.	6
	H7		HEX BOLT 3/8" X 4-5/16"	8
	H8		FLAT WASHER 3/8" I.D.	8
	H9		HEX BOLT 5/16" x 2"	6
	H10		FLAT WASHER 5/16" I.D.	6
	H11		HEX BOLT 5/16" X 5-1/2"	2
	H12		FLAT WASHER 5/16" I.D.	4
	H13		HEX NUT 5/16" I.D.	4
	H14		HEX BOLT 5/16" X 1- 1/2 "	48
	H15		FLAT WASHER 5/16" I.D.	48
	H16		CLIMATIC ADJUSTERS	4

FIG.1

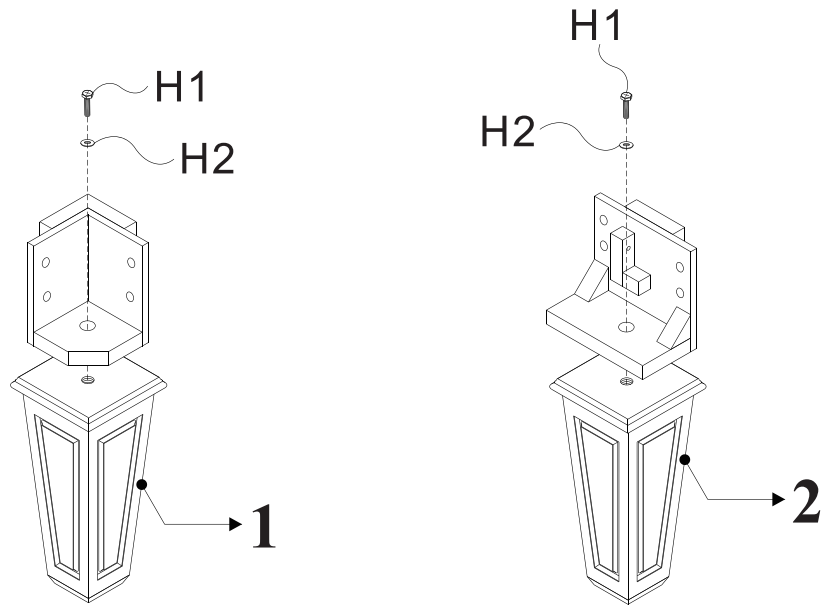


FIG.2

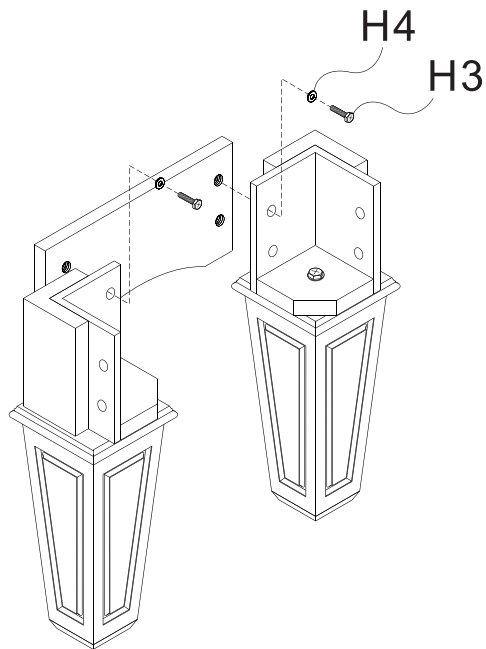


FIG.3

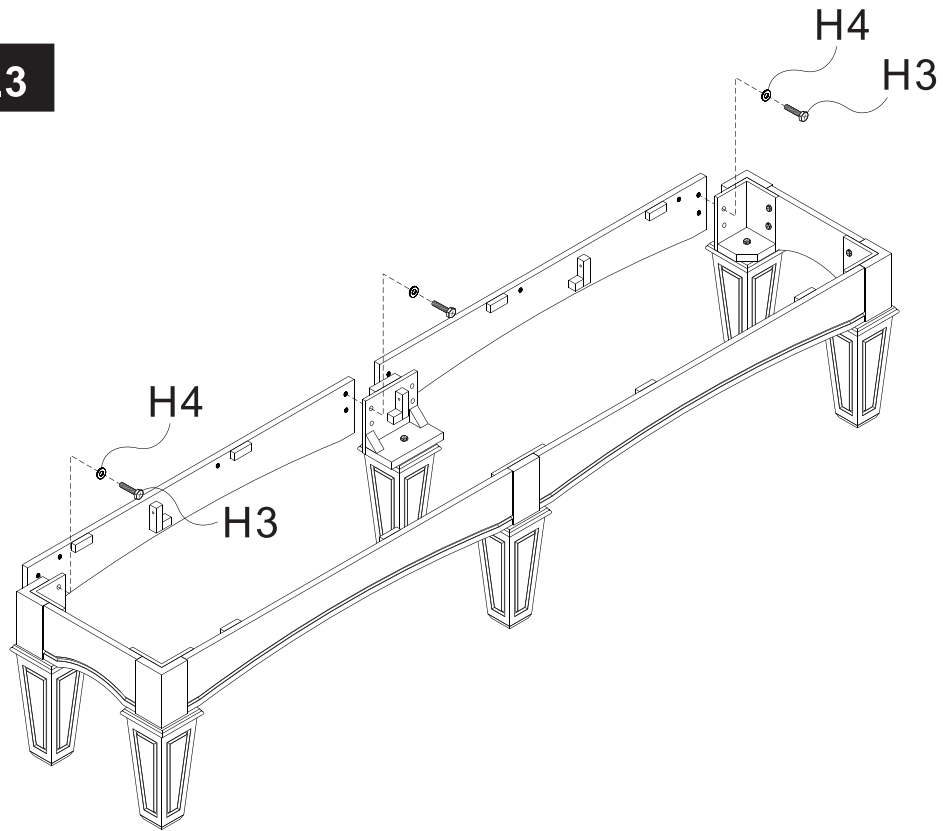


FIG.4

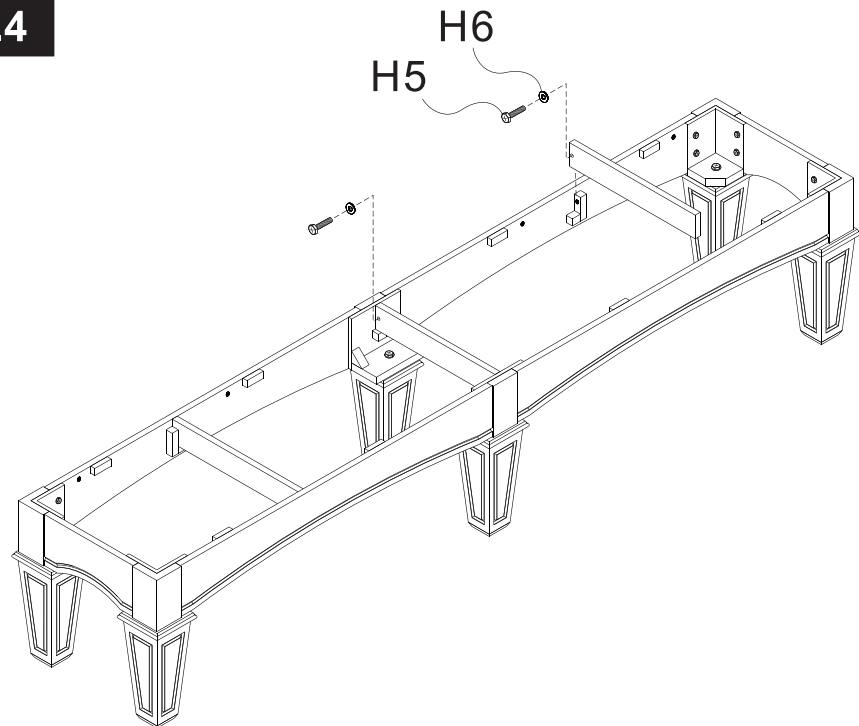


FIG.5

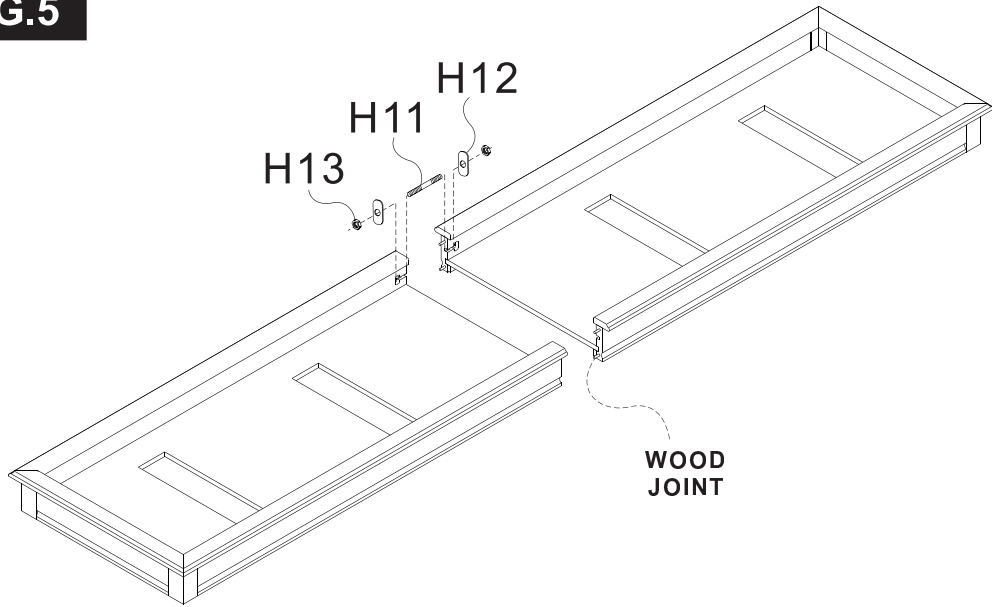


FIG.6

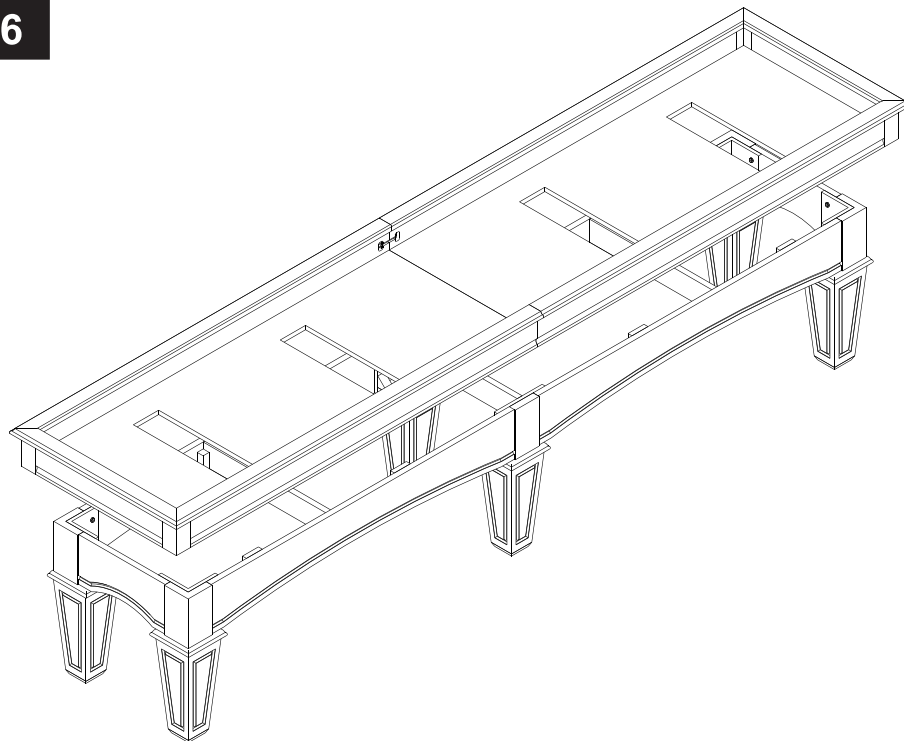


FIG.7

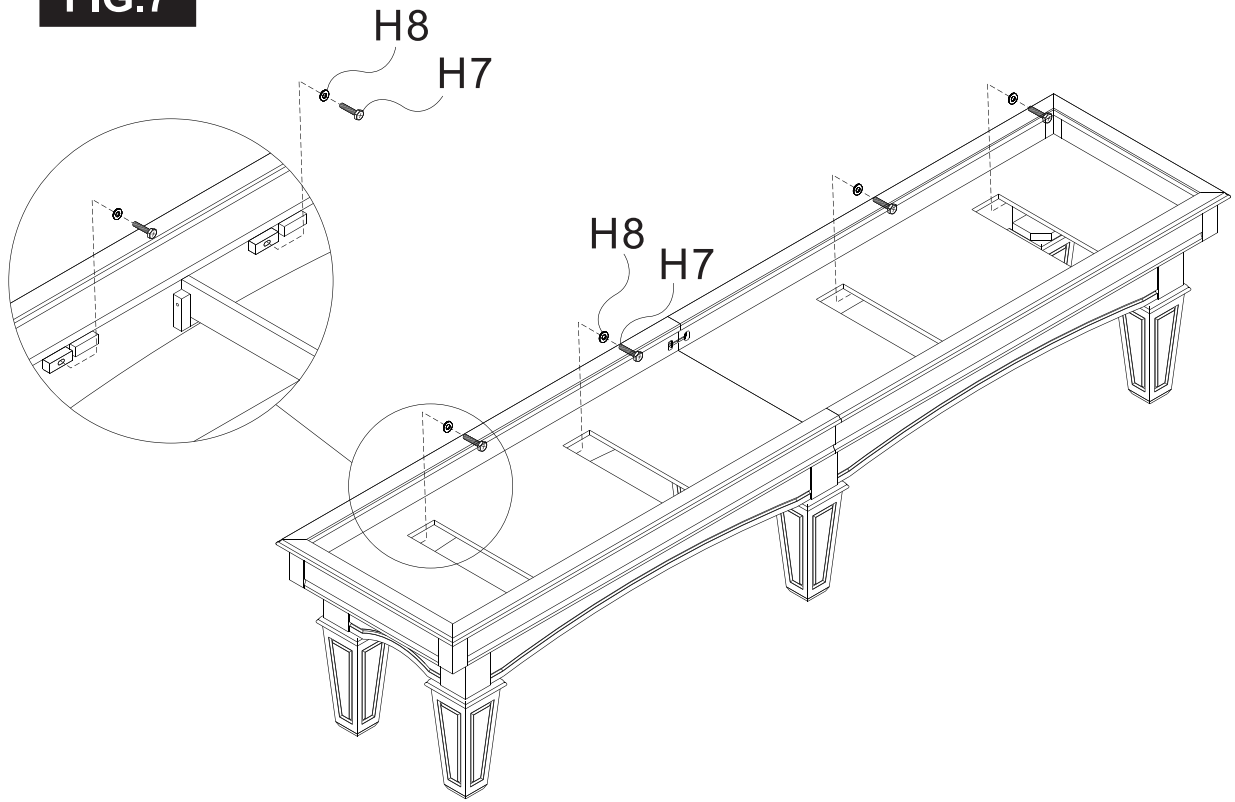


FIG.8

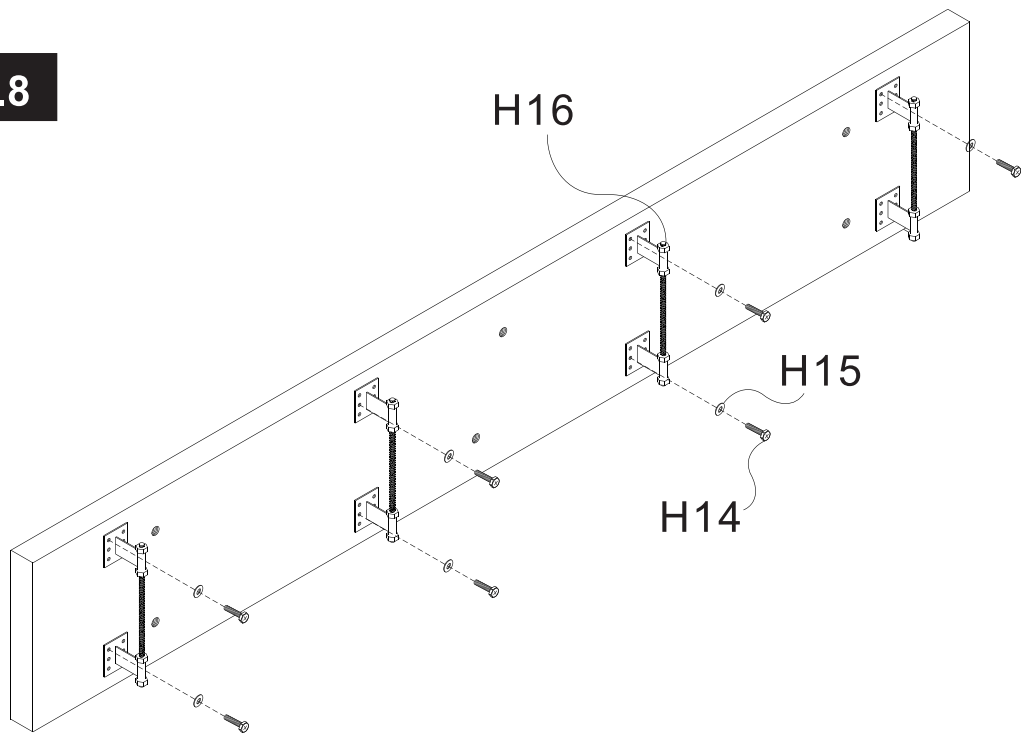
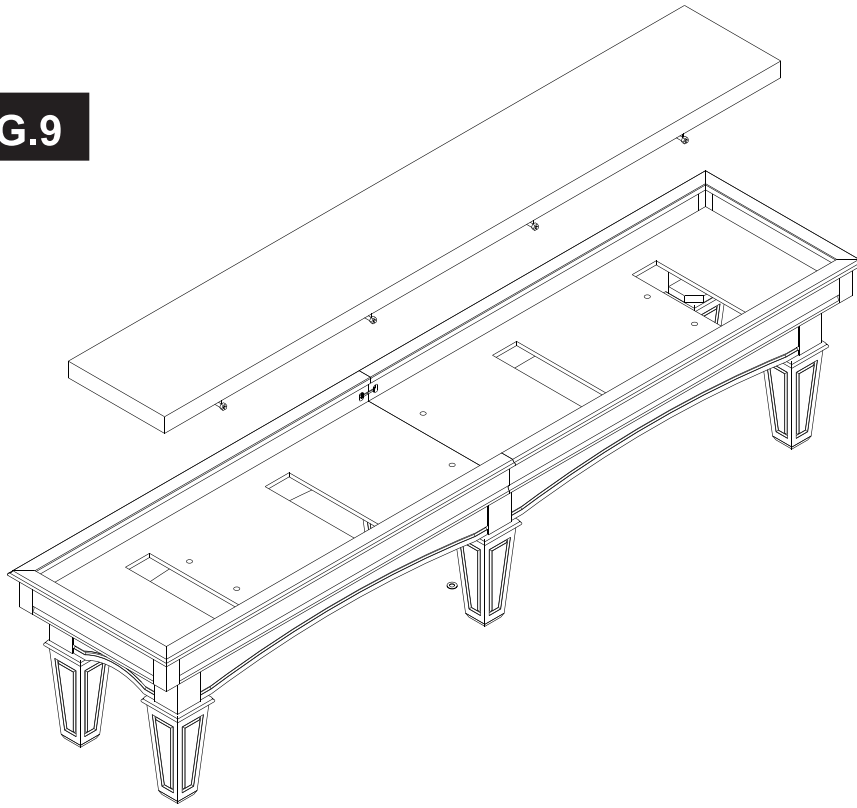
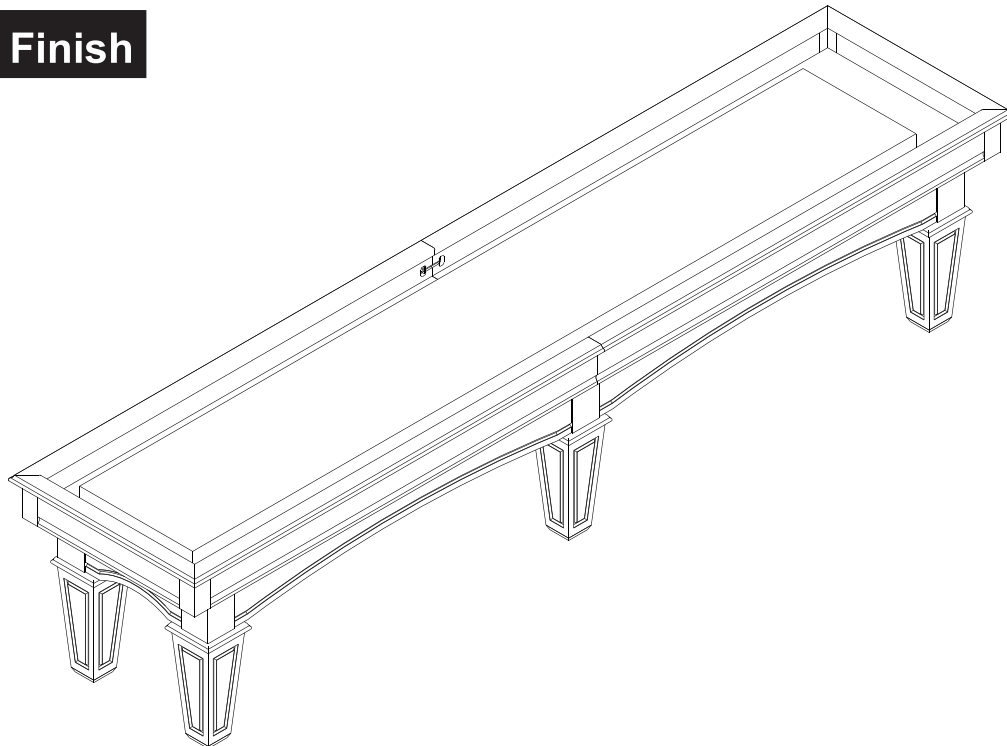


FIG.9



Finish

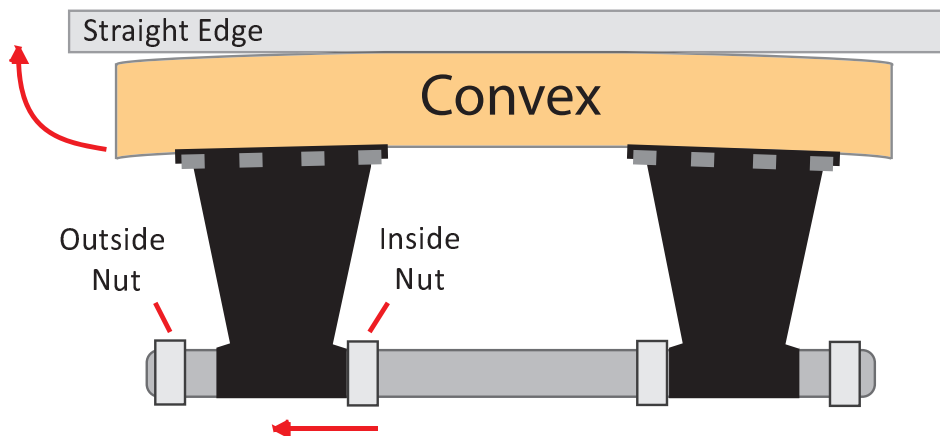




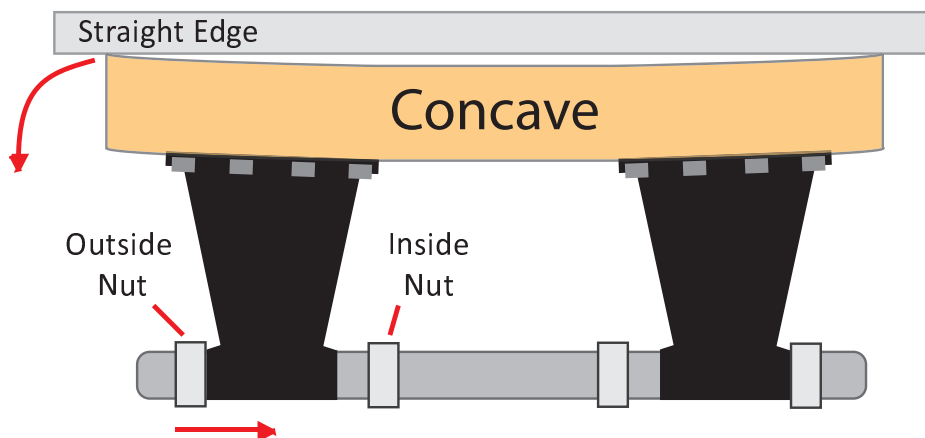
Your Playcraft shuffleboard is equipped with climatic adjusters used to make level or adjust the shape of the blutcherblock playfield. The shape of the playfield will vary between, flat, concave and convex. Climatic conditions in the room where the table is placed will vary between humid or dry which can have an affect on wood over time. Adjustments to the the playfield may be required to maintain an optimal shape, which is slightly concave.

Begin the adjustment process by determining the shape of the playfield. Place a straight edge across the playfield directly above the first climatic adjuster. In order to properly identify the shape the straight edge should be long enough to extend over each edge of the playfield. **IMPORTANT:** Immediate results may not be achieved when reshaping the playfield. Do not attempt to make significant adjustments at one time. It may take several days for your board to fully adjust to the changes made. After the waiting period make additional adjustments as necessary.

If the playfield is CONVEX the bottom of the straight edge will touch the surface of the playfield near the center causing the straight edge to rock left to right. Following is an illustration of a convex playfield and direction to adjust to concave. Start by loosening the two outside nuts on the threaded rod. Next, hand tighten the inside nuts so they touch the climatic adjusters as shown. Using a wrench, tighten each inside nut 1/4 - 3/4 turn at a time. This will apply outward force to the adjusters and cause the playfield edges to move in an upward direction. As adjustments are made, test the shape using a piece of paper. Starting with the corner it should be able to slide under the center of the straight edge for approximately 3". If additional adjustments are needed, allow the board several days to a week to adjust to its new shape before additional adjustments are made. Follow the above steps for each climatic adjuster.



If the playfield is CONCAVE the bottom of the straight edge will be touching each edge of the playfield surface but not in the center. This should allow for the corner of a piece of paper to slide under the center of straight edge for approximately 3". If the playfield has an excessive concave shape, adjustments opposite the above for convex should be made as shown below.





Preparing the playfield

Your Playcraft shuffleboard table includes a butcher block playfield with a thick, polymer coating. The playfield can be cleaned using a mild multi-purpose cleaner or glass cleaner applied modestly to a soft cloth. Sponges or abrasive cleaners should not be used as they could scratch the polymer finish.

Applying the speed wax

Included with your table is a can of granular speed wax that is optimal for the length of the table. A sufficient coating of wax is necessary for the weights to glide properly. To apply the wax simply shake onto the playfield so a light coating is established over the entire surface. Glide a weight to test the application. If a weight slid under reasonable force stops at any point on the playfield then that spot or the entire surface requires additional wax. Reapply the granular speed wax as necessary.

How to play shuffleboard - basic rules

How To Play With 2 Players

To start a game, both players stand at the same end of the shuffleboard. Players toss a coin or otherwise choose who shall shoot the first weight, and what color weights each shall have (it is an advantage to shoot last).

The first player slides his/her first weight toward the opposite end of the board, which becomes the scoring end. His/Her opponent then shoots his/her first weight in a similar manner, attempting either to knock off the other player's first weight, or to outdistance it. The two players continue shooting their weights alternately, until all eight Weights have been shuffled. When this has been done, one round of play has been completed. The player who's leading weight is furthest down the board (away from the players) is the winner of the round. The winner's score is then totaled and registered on the scoreboard.

The players then proceed to the opposite end of the shuffleboard, where the weights are now resting. Another round of play is begun in exactly the same manner as described above, from this end of the board, with the winner of the previous round shooting first weight. The game continues for as many rounds as are necessary, until one player has scored 15 or 21 points to win the game.

How To Play With 4 Players

When four players compete, they play as doubles teams of two players each. One player from each team is stationed at each end of the board, so that two opposing players are at the same end, with their partners at the opposite end. Having decided which team shoots first and which will shoot Red or Blue weights, the play begins as in a two-player game – the first player slides his weights toward the opposite end of the board, which becomes the scoring end. The opponent at his side then shoots his first Weight in a similar manner. The two players continue shooting their weights alternately, until all eight weights have been shuffled. At this point, one round of play has been completed.

The players at the opposite end of the board, where the weights are now resting, clear the board and begin another round of play from their end, in exactly the same manner and with the partner of the previous round's winner shooting the first weight. The players continue as many rounds as necessary, until one team has scored a total of 15 points in knock off typically (or some still play to 21 points).



Customer Service

For questions on assembly or for missing or damaged parts, please contact us toll free at (888) 367-3095 or via email at support@playcraft.com. Please visit our website at www.playcraft.com to see more industry leading Playcraft and Playcraft Sport game tables.

Thank you for choosing Playcraft!

Global Merchants, Inc.
12 Lunar Drive
Woodbridge, CT 06525