

# The Cooper Counter Stool

**MAIDEN HOME**



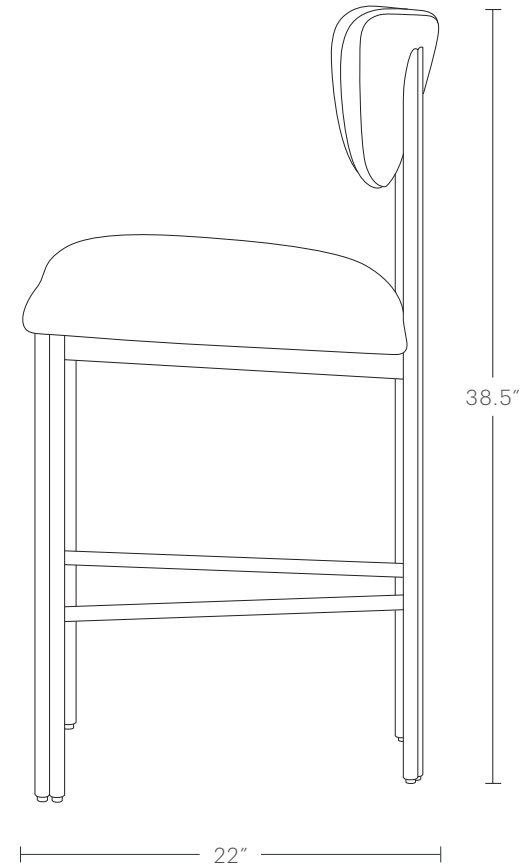
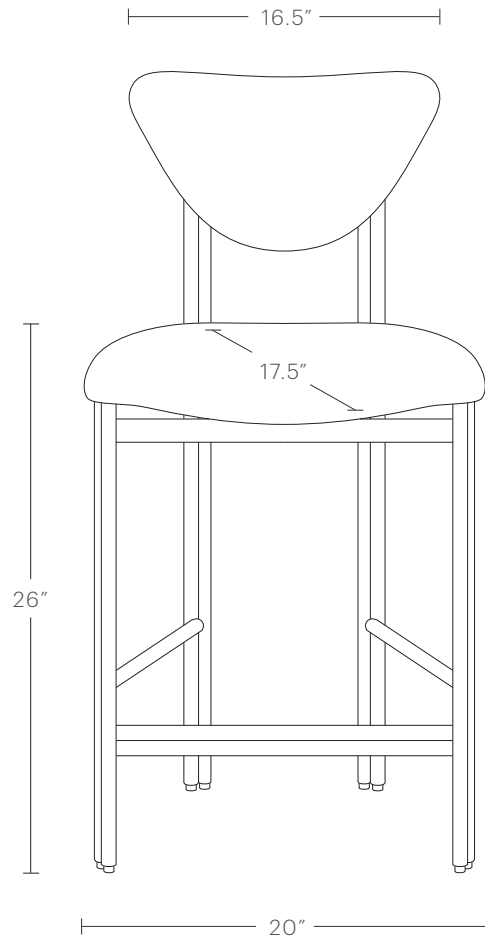
Informed by organic modernism of the mid-20th century, The Cooper is a study in contrasts. The double-dowel frame and plushly contoured seat and back give a thoughtful interplay of strong lines, shapely curves, and positive and negative space.

[hello@maidenhome.com](mailto:hello@maidenhome.com)

(888) 513-5754

# The Cooper Counter Stool

**MAIDEN HOME**



## PRODUCT DIMENSIONS

20"W, 22"D, 38.5"H

## SEAT HEIGHT

26"H

## SEAT DEPTH

17.5"D

## DELIVERY DIMENSIONS

19.5"W (with legs)