

# The Clinton Nine-Drawer Dresser

**MAIDEN HOME**



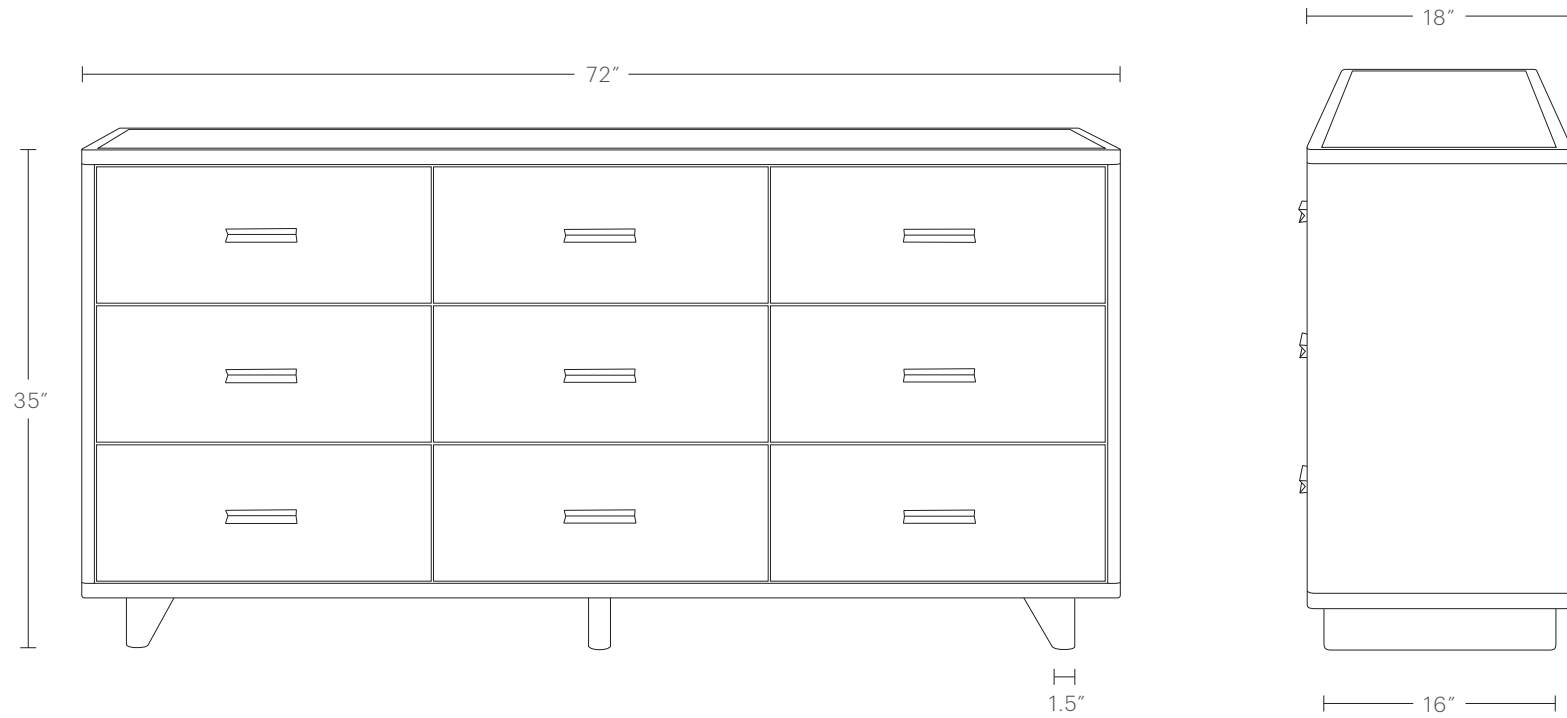
Handcrafted of solid ash with an optional leather-clad inlay, The Clinton celebrates luxe materiality in functional form. Artistry is on display—from the rounded corners and custom drawer pulls to the fully finished interiors and hand-shaped legs.

[hello@maidenhome.com](mailto:hello@maidenhome.com)

(888) 513-5754

# The Clinton Nine-Drawer Dresser

**MAIDEN HOME**



## PRODUCT DIMENSIONS

72"W, 18"D, 35"H

## INTERIOR DRAWER DIMENSIONS

21"W, 14"D, 7"H