

The Eldridge Bed

MAIDEN HOME

Assembly Instructions



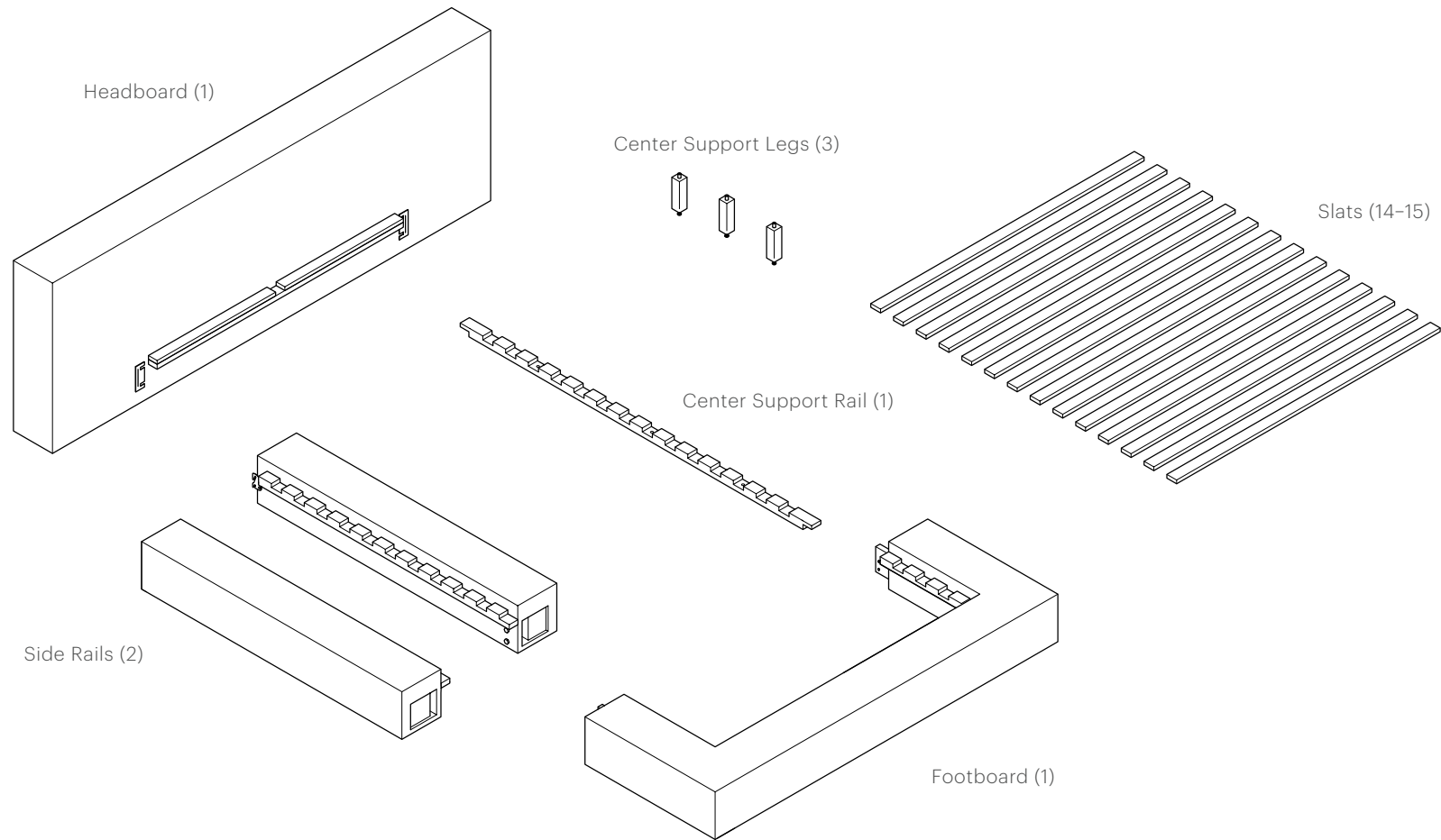
hello@maidenhome.com

(888) 513-5754

The Eldridge Bed

MAIDEN HOME

Components & Hardware



Assembly requires 2 people.

Queen and king beds have 14 slats
while California king beds have 15 slats.

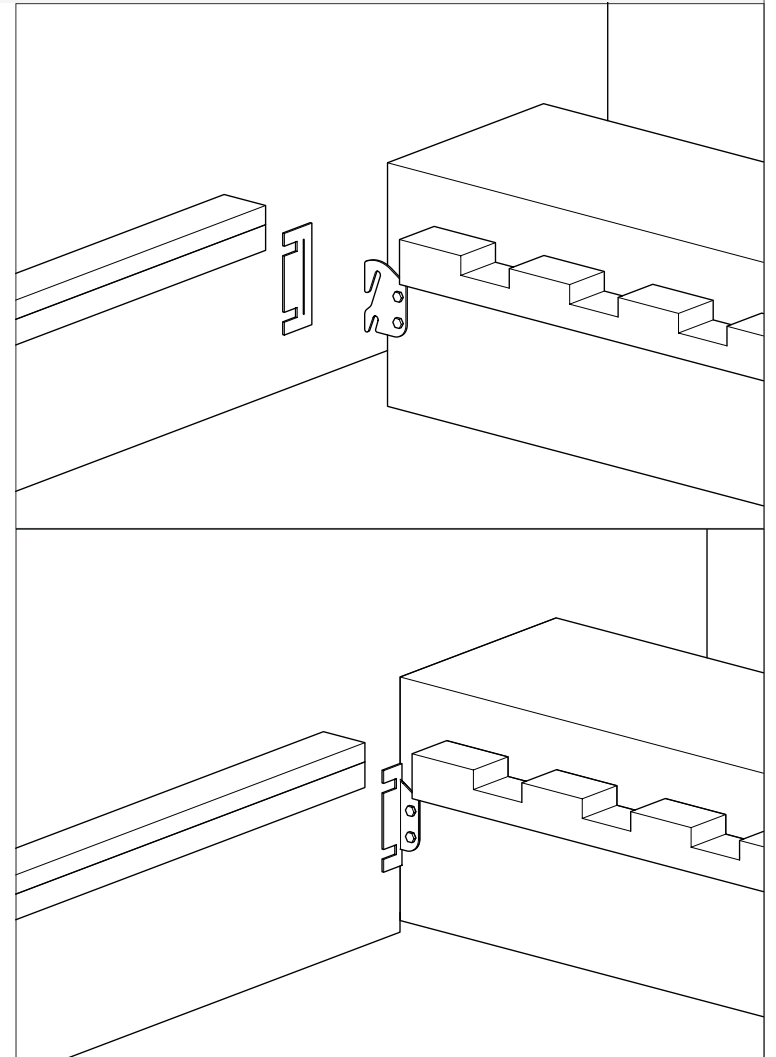
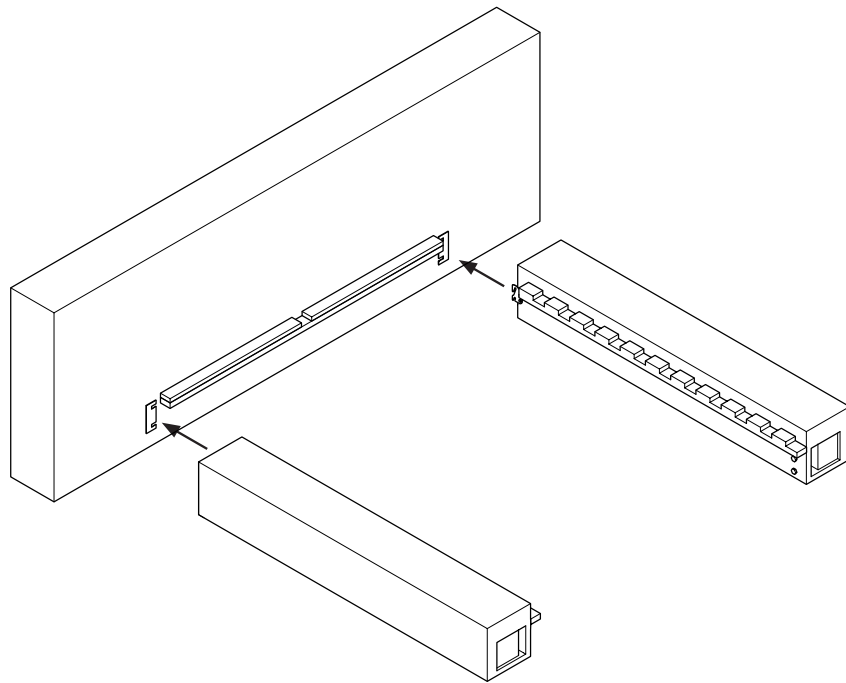
The Eldridge Bed

MAIDEN HOME

Assembly Instructions

1

To connect each side rail to the headboard, insert the pre-attached rail fastener into the headboard fitting and press down firmly to lock it in place.

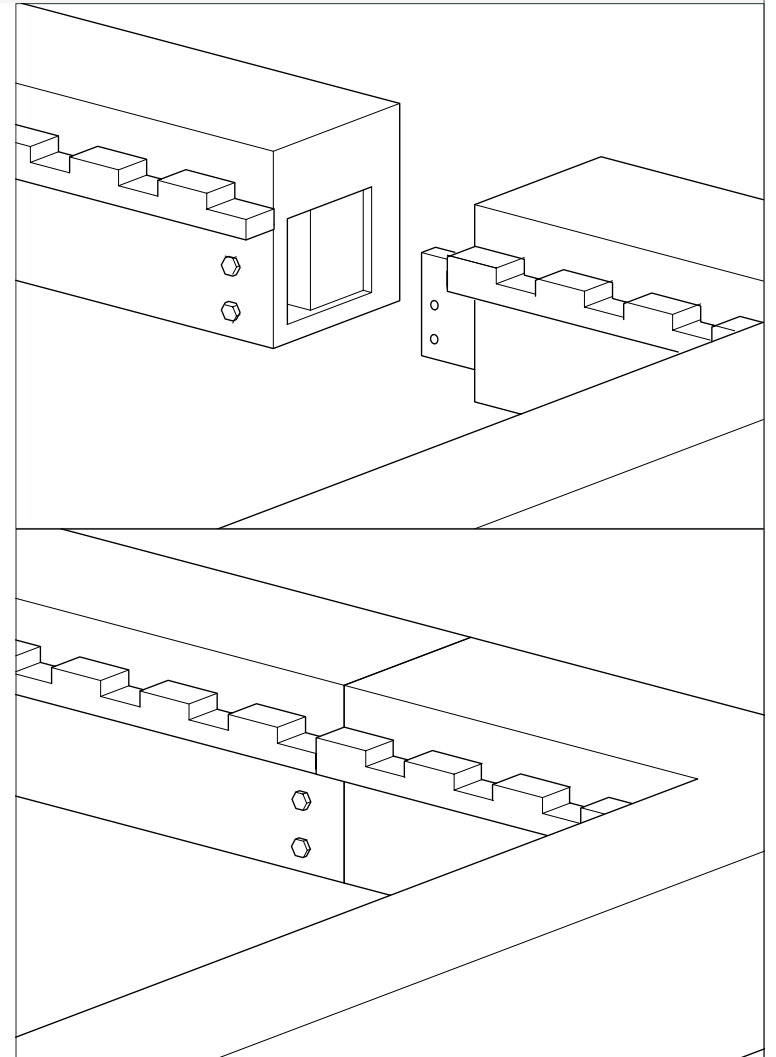
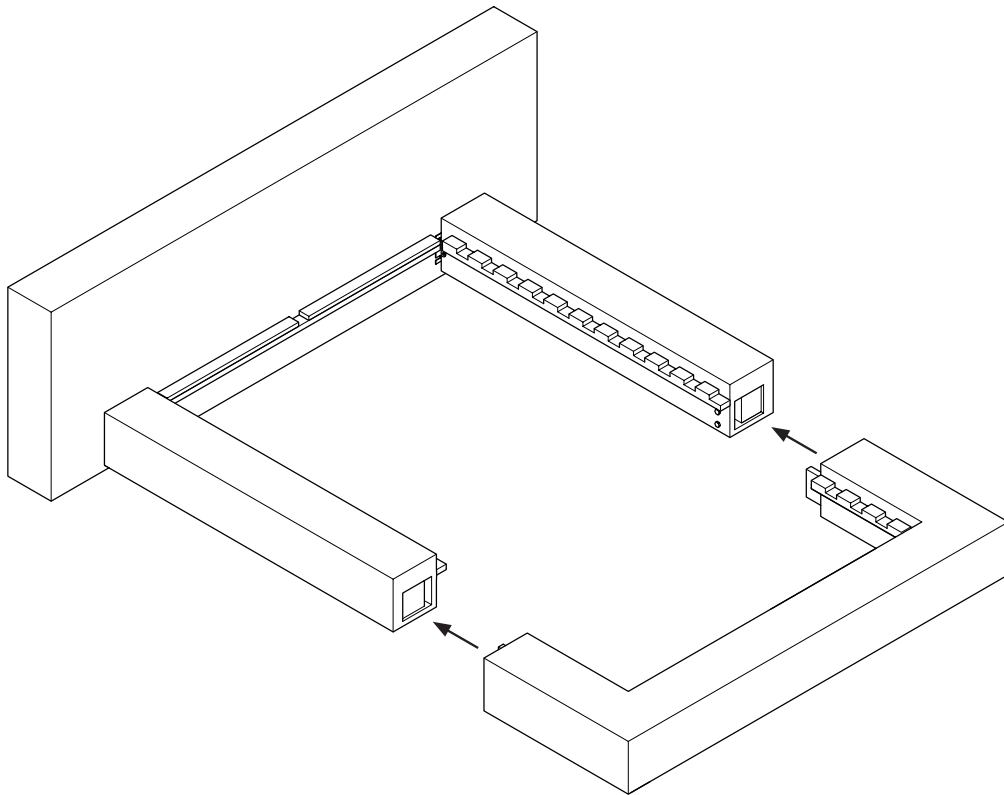


The Eldridge Bed

MAIDEN HOME

Assembly Instructions

- 2 Slide the footboard connectors into the side rail slots, then tighten the bolts on the side rails to secure them.

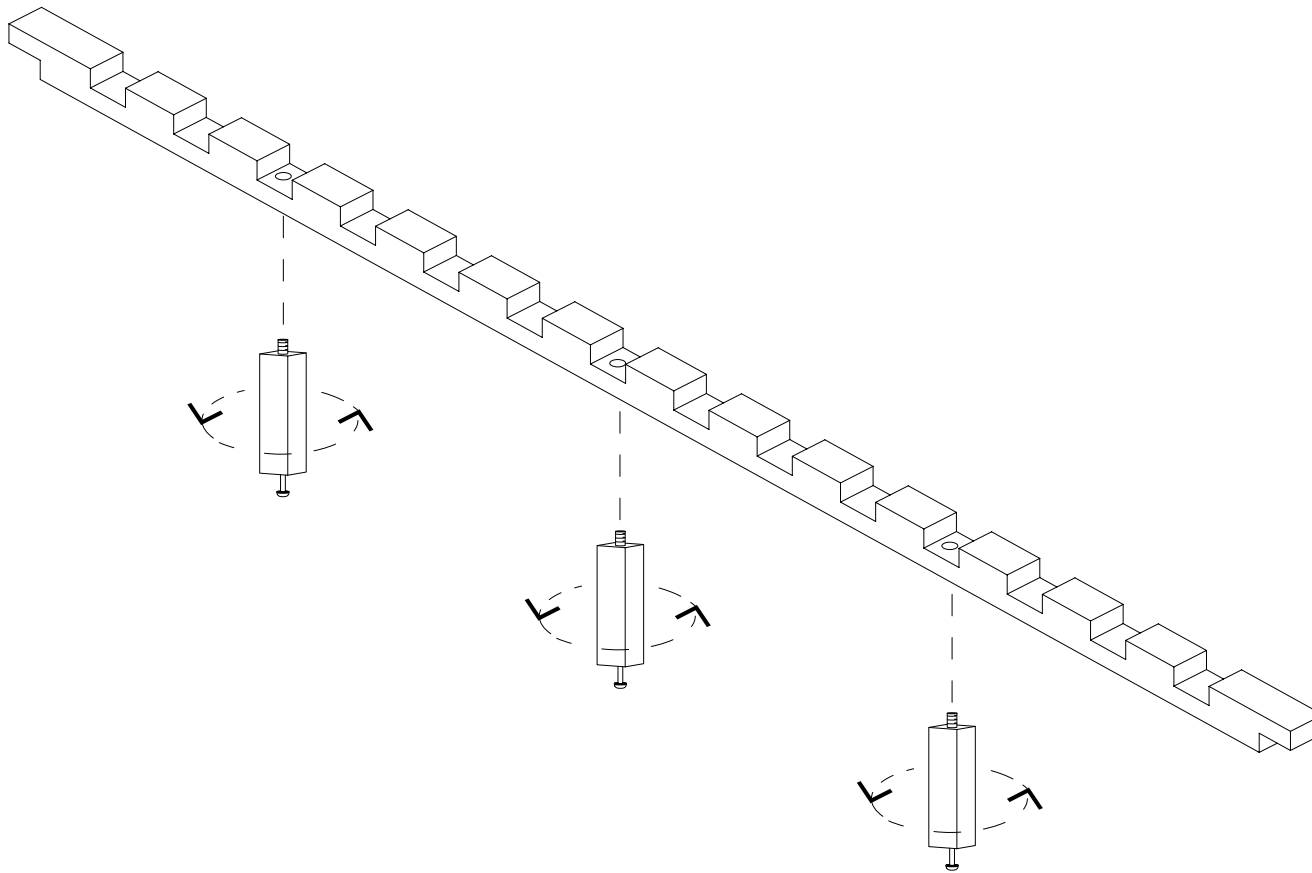


The Eldridge Bed

MAIDEN HOME

Assembly Instructions

- 3 Screw the center support legs into the center support rail, with the metal T-nuts facing upward.



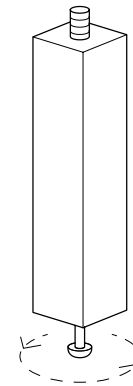
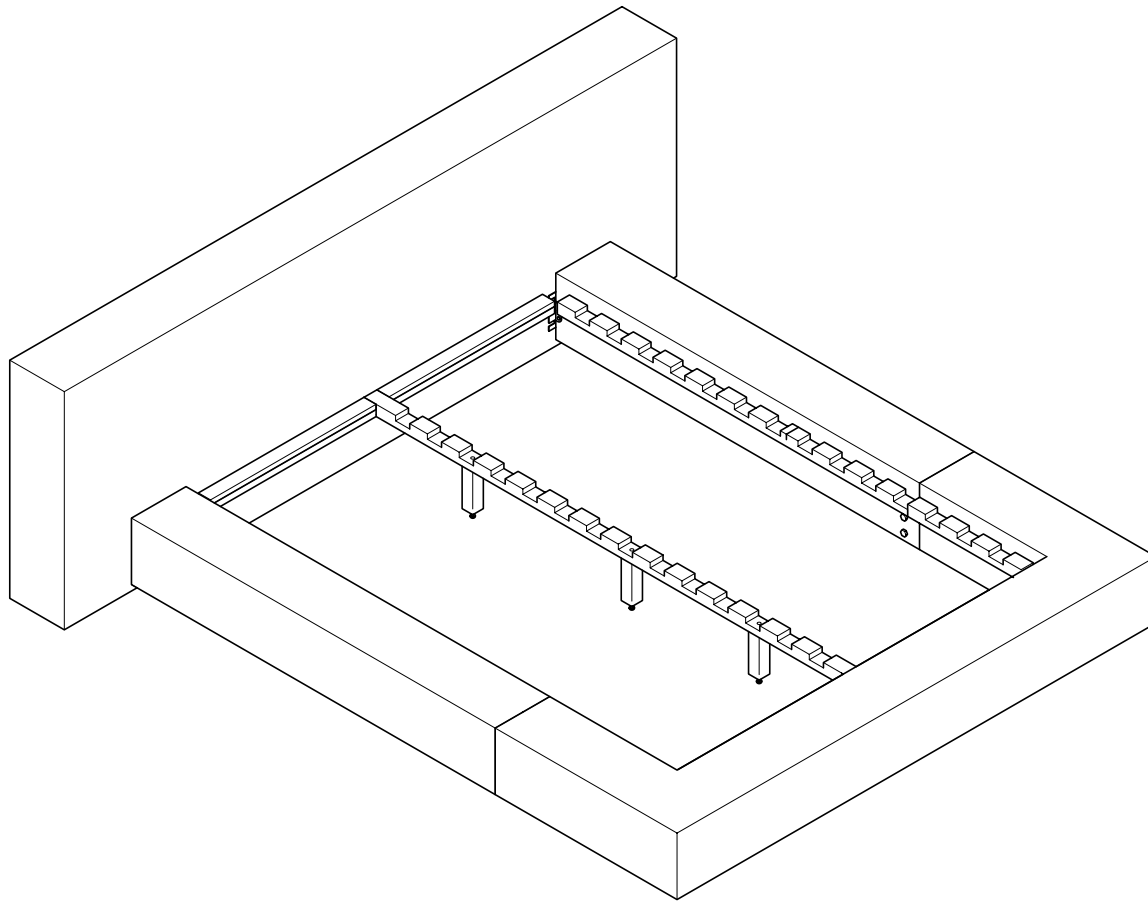
The Eldridge Bed

MAIDEN HOME

Assembly Instructions

4

Place the center support rail inside the bed frame. Adjust the glides on the center support legs as needed, ensuring the legs stand straight and are flush to the floor.

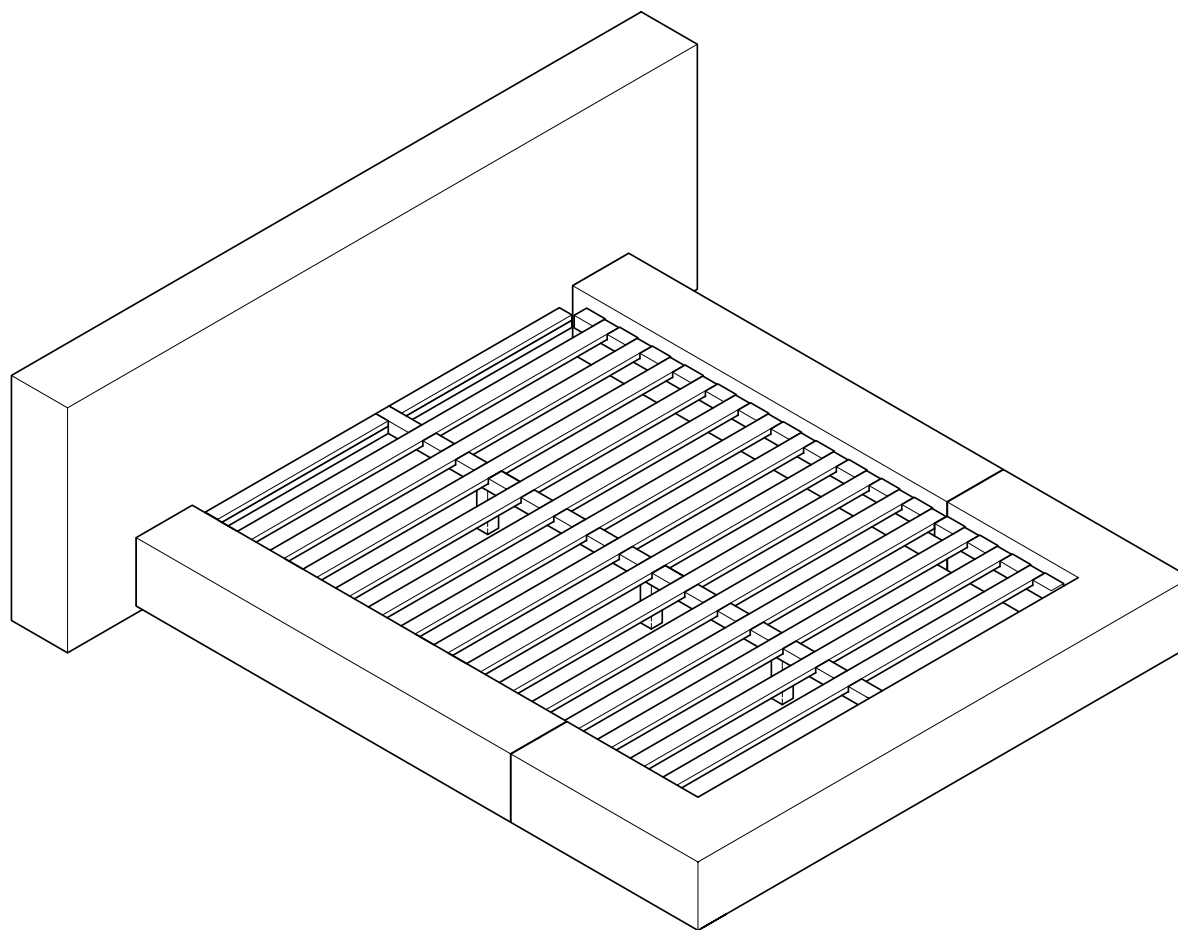


The Eldridge Bed

MAIDEN HOME

Assembly Instructions

- 5 Place the slats inside the bed frame. Note that the slat pocket is designed to be slightly wider than the slat for ease of assembly.

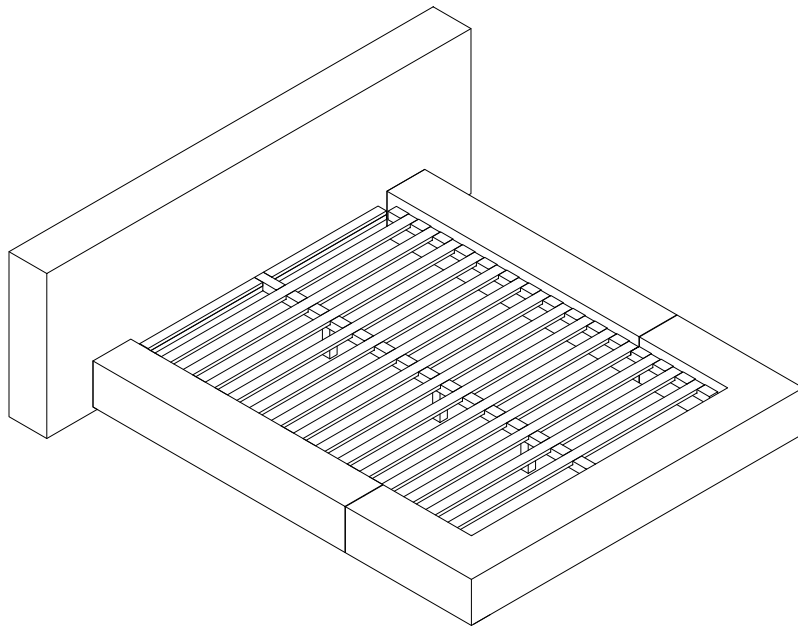


The Eldridge Bed

MAIDEN HOME

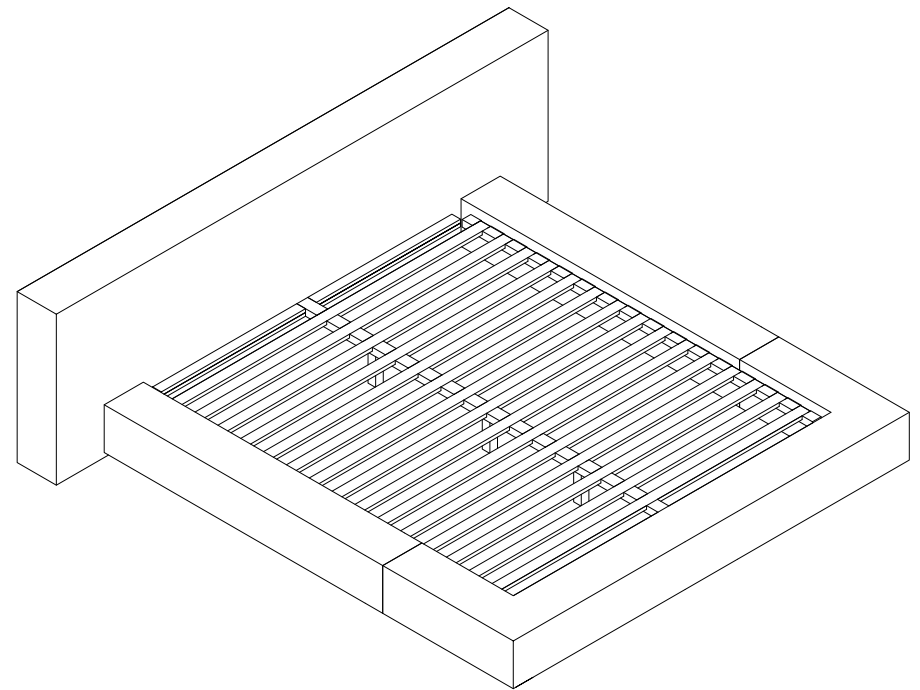
Assembly Instructions

The illustrations below display the various configurations of the Eldridge bed.



QUEEN & KING

14 slats



CALIFORNIA KING

15 slats

The Eldridge Bed

MAIDEN HOME

Assembly Checklist

Review the checklist below to ensure your Eldridge bed is properly assembled.

- Ensure all slats are present.
- Ensure all slats are lying flat.
- Ensure all hardware is firmly connected.
- Ensure center support legs are level.
- Should you need to move this piece for any reason—including installing a rug beneath it—disassemble it first, then reassemble in the desired position.