

The Bank Round Table

MAIDEN HOME

Assembly Instructions



hello@maidenhome.com

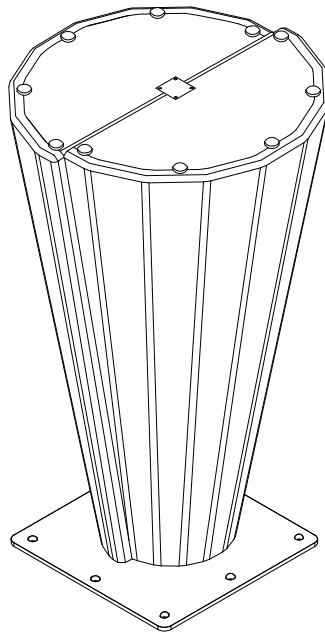
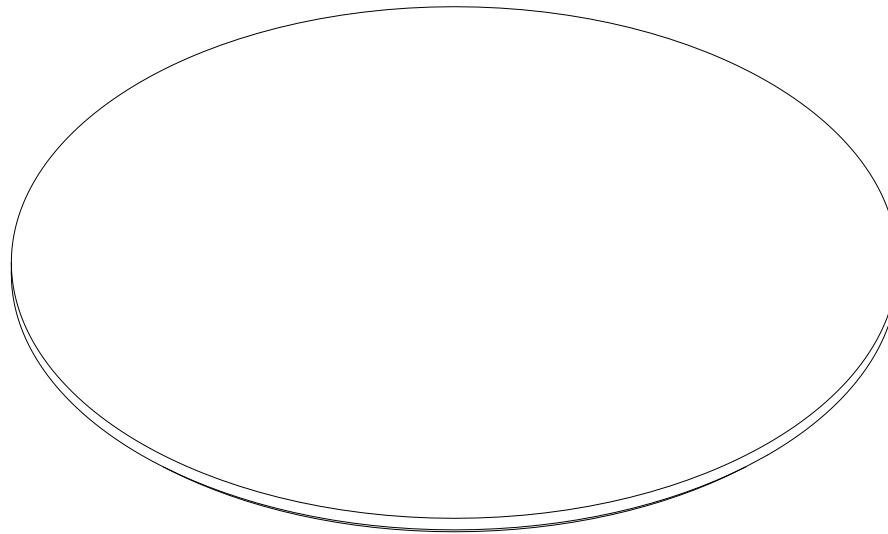
(888) 513-5754

The Bank Round Table

MAIDEN HOME

Components

Table top (1)



Pedestals with metal
bracket attachment (1)



Joint Screws (8)



Allen Key (1)

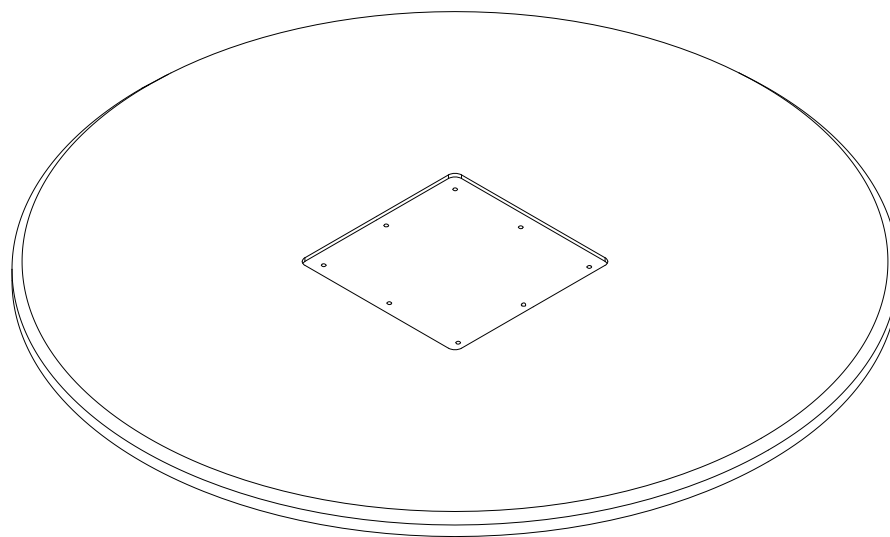
*Needed for assembly: Allen key,
1-2 people needed for assembly.*

The Bank Round Table

MAIDEN HOME

Assembly Instructions

- 1 Place the table top flat on a protected surface with the underside of the table facing up.

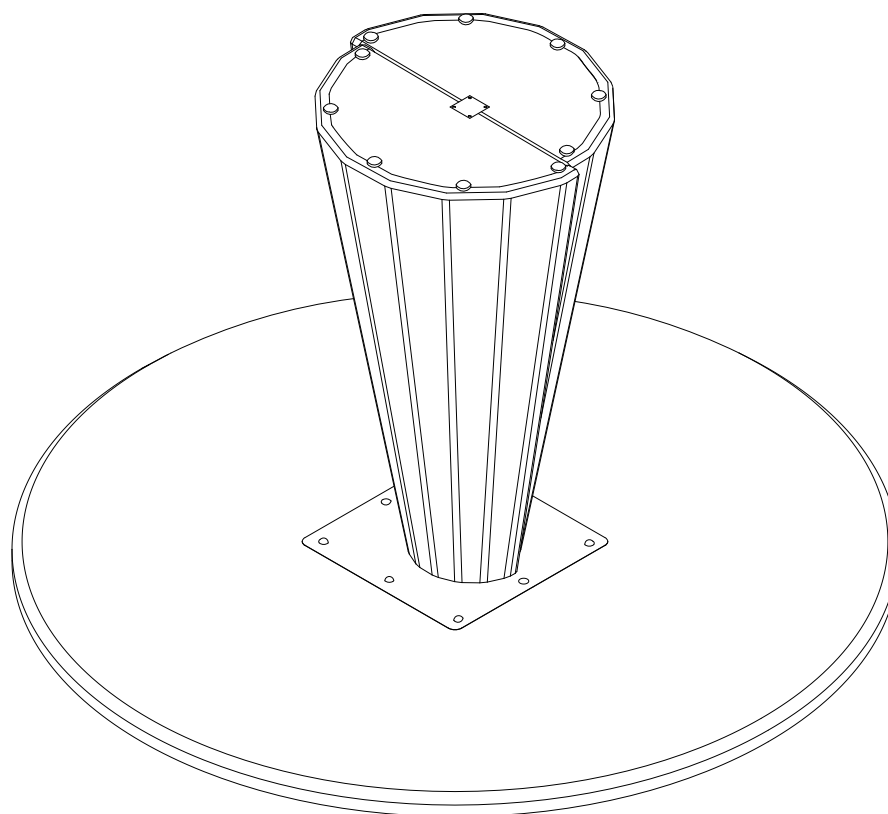


The Bank Round Table

MAIDEN HOME

Assembly Instructions

- 2 Rest the pedestal base with attached metal brackets into the corresponding center insets.



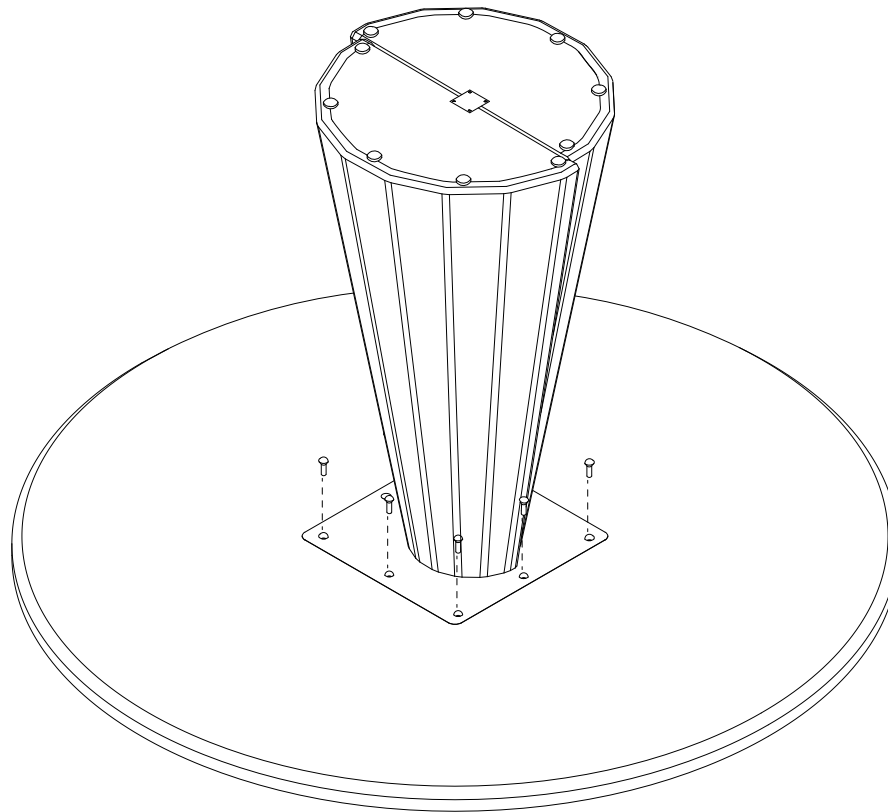
The Bank Round Table

MAIDEN HOME

Assembly Instructions

3

Secure the pedestal by placing the screws into the pre-drilled holes of the metal brackets and using an Allen key to screw into place. Take care not to strip the screws.

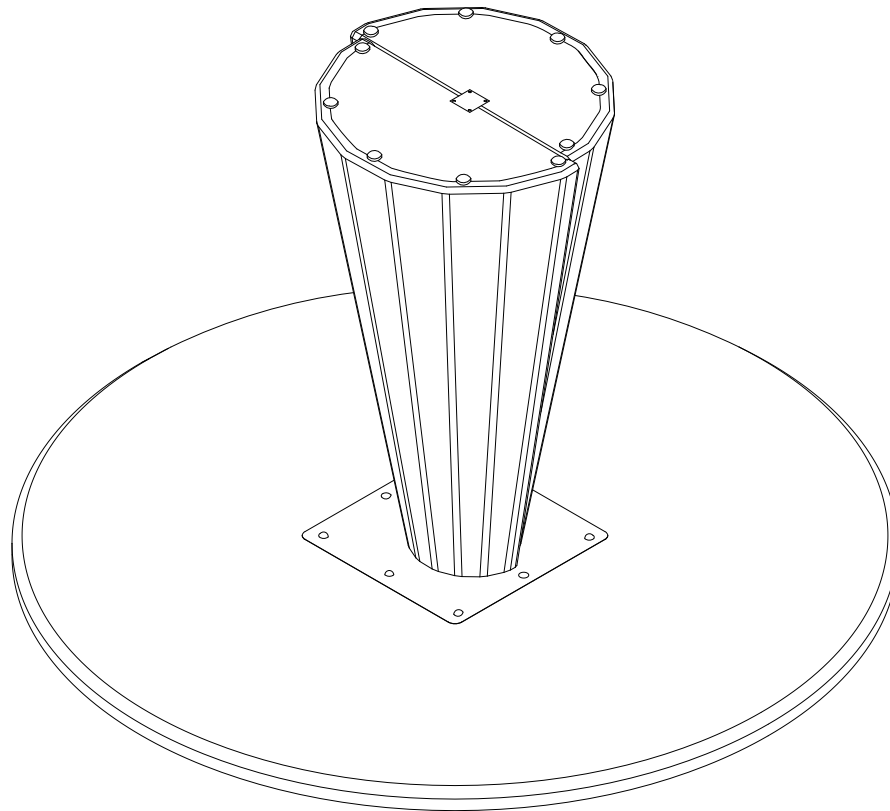


The Bank Round Table

MAIDEN HOME

Assembly Instructions

- 4 Take a moment to confirm hardware is fitted tightly at all connection points.



The Bank Round Table

MAIDEN HOME

Assembly Instructions

- 5 Carefully flip the table top over using some help from a friend.

