



AEROTEX



P D A 1 9 - 4 1
B E L L M E D I U M
S O F T I N T E R I O R
R E P L A C E M E N T
E D I T I O N

WWW.AEROTEX.CA

TABLE OF CONTENTS

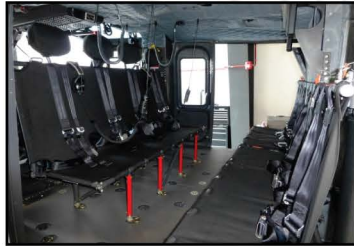
What is PDA19-41?	2
Which Model does this cover?	2
What parts does this cover?	2
Bell Medium - Boot Covers	3
Bell Medium - BumperPad (Stanchion Posts)	3
Bell 204 - Passenger Troop Seat Covers	4
Bell 214 - Passenger Troop Seat Covers	4
Bell 205/212/412 - 4 Place AFT Face Passenger Troop Seats	5
Bell 205/212/412 - 5 Place FWD Face Passenger Troop Seats	6
Bell 205/212/412 - 2 Place SIDE Face Passenger Troop Seats	7
Bell Medium - Crew Seat Mesh Covers and Pad	8, 9
Bell Medium - Crew Seat Cushions 1st, 2nd, 3rd Generation	10
Bell Medium - Passenger Seat Cushions	11
Bell 212/412- Airliner Seat Cushions	12
Bell 204 - Blanket Kit	13
Bell 205 - Blanket Kit 1 & 2	14
Bell 212 - Blanket Kit 1	15
Bell 212 - Blanket Kit 2, 3, & S	16
Bell 412 - Blanket Kit	17
Bell 412/CF - Blanket Kit 1	18



WHAT IS PDA19-41?

PDA19-41 is certification approved by TCCA in accordance with CAR (Canadian Aviation Regulations) section 521.357 and Avio Design Group Master Data List 1731-MD-001 (Revision "--") that allows the holder to manufacture replacements for Bell Medium helicopters.

With STC (Supplemental Type Certification) for various other parts and manufacturers, PDA19-41 allows Aerotex to produce soft interiors and upholstery for Bell Medium helicopters as an approved manufacturer. Aerotex has gone through rigorous review and engineering to attain this approval, which trickles directly to the customer. This makes for an even better experience with Aerotex, eliciting trust and confidence in the product through this certification; there is no question that Aerotex products adhere to regulation with superb quality.



WHICH MODELS DOES THIS COVER?

This approval covers Bell Mediums Soft Interiors Replacement. This covers the following Bell models:

- 204B
- 205A, 205A-1, 205B
- 212
- 214B, 214B-1
- 412, 412 CF, 412 EP

WHAT PARTS DOES THIS COVER?

- Boot covers
- All crew and passenger seat cushions
- All seat covers
- Bumper pads (stanchion posts)
- Wall blanket kits
- Crew pilot/co-pilot seat mesh covers and pads
- Check out the catalog on our website, www.aerotex.ca.

ALL ARE DIRECT OEM REPLACEMENT PARTS AND ARE RECOGNIZED WORLDWIDE AND INSTALLED BY ANY AVIATION-REGULATED COUNTRY (I.E. FAA, EASA, ICAO)

BELL MEDIUM - BOOT COVERS

Boot covers are made of a heavy-duty vinyl, with military spec webbing and snaps to secure on to Helicopter.



CYCLIC BOOT COVER



CO-PILOT COLLECTIVE BOOT



CO-PILOT COLLECTIVE BOOT

VINYL
EXAMPLES



REFER TO
SWATCHES
EDITION
BROCHURE
FOR FULL
CATALOG

OEM PN	Aerotex PN	Description	Bell Model
204-001-306-021	A-204-306-101	Pilot Collective Boot Cover	204
204-001-306-055			205
204-001-306-047			212
204-001-306-101			Medium
204-001-306-103			412
204-001-306-105			Medium
204-001-328-115	A-204-328-115	Cyclic Boot Cover	412
204-001-328-101			Medium
204-001-328-043			
204-001-328-047			
204-001-307-027	A-204-307-103	Co-Pilot Collective Boot Cover	Medium
204-001-307-103			

BELL MEDIUM - BUMPER PAD (STANCHION POSTS)



UPPER STANCHION PAD



LOWER STANCHION PAD

VINYL
EXAMPLES



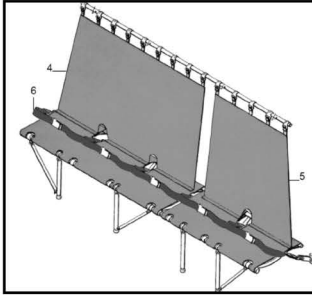
REFER TO
SWATCHES
EDITION
BROCHURE
FOR FULL
CATALOG

OEM PN	Aerotex PN	Description	Bell Model
205-072-707-003	A-205-707-003	Stanchion BumperPad, Bottom	Medium
205-072-707-001	A-205-707-001	Stanchion BumperPad, Top	

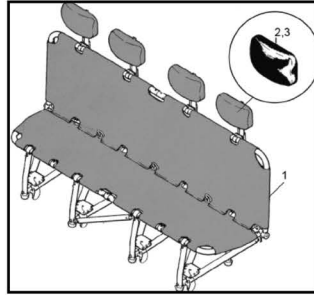


BELL 204 - PASSENGER TROOP SEAT COVERS

Our passenger seat cushions are designed to give your helicopter a more comforting and corporate look. Made of our standard Aerotex abric covers and high quality 2" foam for the back and bottom seat cushions.



BELL 204 PASSENGER SEAT COVERS



BELL 204 FOUR PLACE PASSENGER SEAT COVERS



HEAVY
DUTY
RUBBER

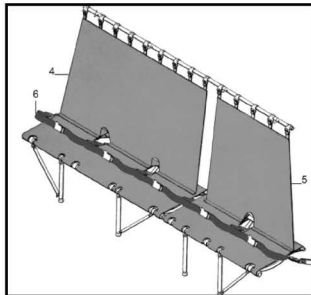


CANVAS
FABRIC

OTHER
COLOR
OPTIONS
AVAILABLE
UPON REQUEST

OEM PN	Aerotex PN	Description	Bell Model
204-072-707-051	A-204-707-051	Four Place Seat Cover	204
204-070-471-005	A-204-471-005	Head Rest Cushion Assy	
204-070-005-011	A-204-005-011	Three Place Seat Cover	
204-070-005-009	A-204-005-009	Two Place Seat Cover	

BELL 214 - PASSENGER TROOP SEAT COVERS



BELL 214 PASSENGER SEAT COVERS



HEAVY
DUTY
RUBBER



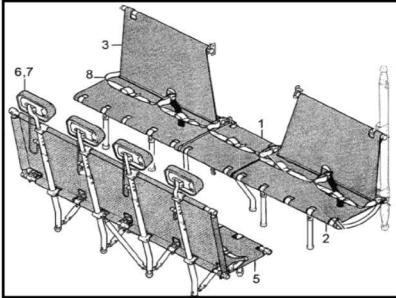
CANVAS
FABRIC

OTHER
COLOR
OPTIONS
AVAILABLE
UPON REQUEST

OEM PN	Aerotex PN	Description	Bell Model
212-070-700-011	A-212-700-011	5 Place Seat Cover	214

BELL 205/212/412 - 4 PLACE AFT FACE PASSENGER TROOP SEATS

Our passenger seat cushions are designed to give your helicopter a more comforting and corporate look. Made of our standard Aerotex abric covers and high quality 2" foam for the back and bottom seat cushions.



PASSENGER SEAT COVERS COVERS



4 MAN AFT FACING SEATS



HEAVY
DUTY
RUBBER



CANVAS
FABRIC

OTHER
COLOR
OPTIONS
AVAILABLE
UPON REQUEST

OEM PN	Aerotex PN	Description	Bell Model
205-070-792-039	A-205-792-037-07	Four Place Seat Cover	Medium
205-070-792-041	A-205-792-037-06		
205-070-792-043	A-205-792-037-03		
205-070-792-083	A-205-792-037-04		
205-070-792-045	A-205-792-037-05		
205-070-792-031	A-205-792-037-07		
205-070-792-033	A-205-792-037-06		
205-070-792-035	A-205-792-037-03		
205-070-792-081	A-205-792-037-04		
205-070-792-037	A-205-792-037-05		
204-070-471-021	A-204-471-021-01	Head Rest Cover	
204-070-471-009	A-204-471-021-05		
204-070-471-013	A-204-471-021-04		
204-070-471-017	A-204-471-021-02		
204-070-471-025	A-204-471-021-03		



BELL 205/212/412 - 5 PLACE FWD FACE PASSENGER TROOP SEATS

Our Bell Medium Passenger Seat covers are made of a Military Spec Nylon made to meet military standards. The material is very durable, breathable, and stretches easily over the seat frame. We also reinforce the area where the nylon meets the seat frame which



5 MAN FWD FACING SEAT COVERS



5 MAN FWD FACING SEAT COVERS



HEAVY
DUTY
RUBBER



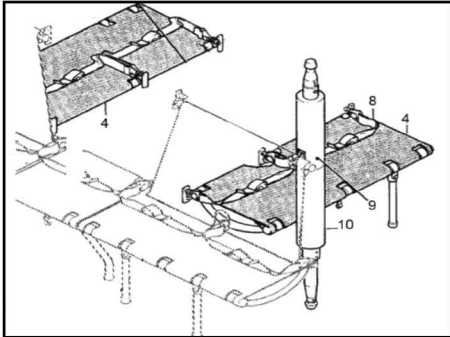
CANVAS
FABRIC

OTHER
COLOR
OPTIONS
AVAILABLE
UPON REQUEST

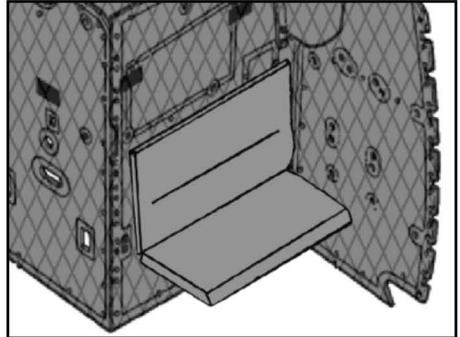
OEM PN	Aerotex PN	Description	Bell Model
204-070-471-021	A-204-471-021	Head Rest Cover	Medium
205-072-713-002	A-205-713-008-05	L/H TwoPlace Seat Cover	
205-072-713-004	A-205-713-008-04		
205-072-713-006	A-205-713-008-02		
205-072-713-010	A-205-713-008-03		
205-072-713-008	A-205-713-008-01		
205-072-713-001	A-205-713-007-05	R/H Two Place Seat Cover	
205-072-713-003	A-205-713-007-04		
205-072-713-005	A-205-713-007-02		
205-072-713-009	A-205-713-007-03		
205-072-713-007	A-205-713-007-01	Center One Place Seat Cover	
205-072-703-001	A-205-703-007-05		
205-072-703-003	A-205-703-007-04		
205-072-703-005	A-205-703-007-02		
205-072-703-009	A-205-703-007-03		
205-072-703-007	A-205-703-007-01		

BELL 205/212/412 - 2 PLACE SIDE FACE PASSENGER TROOP SEATS

Our Bell Medium Passenger Seat covers are made of a Military Spec Nylon made to meet military standards. The material is very durable, breathable, and stretches easily over the seat frame. We also reinforce the area where the nylon meets the seat frame which increases durability.



2 MAN SIDE FACING SEAT COVERS



AUX TANK SEAT CUSHIONS



AUX TANK SEAT CUSHIONS



HEAVY DUTY RUBBER



CANVAS FABRIC

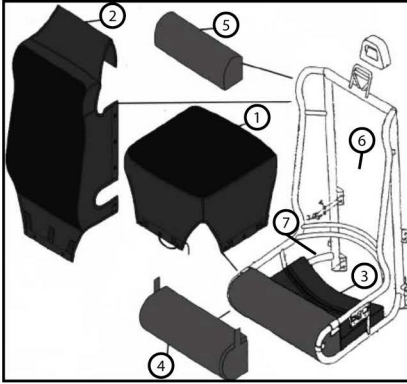
OTHER COLOR OPTIONS AVAILABLE UPON REQUEST

OEM PN	Aerotex PN	Description	Bell Model
205-072-704-007	A-205-704-007-01	Two Place Seat Cover	Medium
205-072-704-001	A-205-704-007-05	TwoPlace Seat Cover	
205-072-704-003	A-205-704-007-04	TwoPlace Seat Cover	
205-072-704-005	A-205-704-007-02	Two Place Seat Cover	
205-072-704-009	A-205-704-007-03	Two Place Seat Cover	



BELL MEDIUM - CREW SEAT MESH COVERS AND PADS

Skyline Mesh Seat Covers are made of a heavy-duty mesh and long lasting FAR canvas material. The foam supports are graphite and made with high-density foam.



BELL SKYLINE - BLACK MESH TYPE CREW SEAT

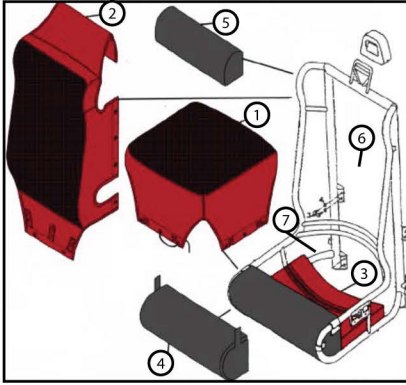


BLACK MESH

REFER TO
SWATCHES
EDITION
BROCHURE
FOR FULL

OEM PN	Aerotex PN	Description	Bell Model
205-070-798-113	A-205-798-113	② Crew Mesh Seat Back Cover	Medium
SK1018-12-00			
AL1018-12-00			
SK1021-12-00			
AL1021-12-00			
SK1040-12-00			
AL1040-12-00			
SK1021-11-00	A-205-798-111	① Crew Mesh Seat Bottom Cover	Medium
AL1021-11-00			
AL1018-11-00			
SK1018-11-00			
SK1021-17-00			
SK1021-27-00			
SK1021-38-00			
SK1040-11-00			
AL1040-11-00			
205-070-798-111			

BELL MEDIUM - CREW SEAT MESH COVERS AND PADS



BELL SKYLINE - RED MESH TYPE CREW SEAT



RED MESH

REFER TO SWATCHES EDITION BROCHURE FOR FULL

OEM PN	Aerotex PN	Description	Bell Model
SK1018-14-00	A1018-14-00	⑤ Crew Seat Top Back Pad	Medium
AL1018-14-00			
SK1021-14-00			
AL1021-14-00			
SK1040-14-00			
AL1040-14-00			
SK1018-13-00	A1018-13-00	④ Front Bottom Pad	Medium
AL1018-13-00			
SK1021-13-00			
AL1021-13-00			
SK1040-13-00			
AL1040-13-00			
SK1018-8-00	A1018-8-00	③ Seat Bottom Support Pad (Half Moon)	Medium
AL1018-8-00			
SK1021-8-00			
AL1021-8-00			
SK1018-14-00	A1018-14-00C	⑥ Crew Seat Back Pad (Comfort)	Medium
SK1018-13-00	A1018-13-00C	⑦ Front Bottom Pad (Comfort)	Medium



BELL MEDIUM - CREW SEAT CUSHIONS 1ST, 2ND, & 3RD GENERATION

Crew seat Cushions are made of high quality FAR grade foam



BELL 204 CREW SEAT



BELL 205 CREW SEAT



BELL 212/412 CREW SEAT



BELL 212/412 CREW SEAT CUSHIONS



BELL 212/412 CREW SEAT CUSHIONS



FABRIC
EXAMPLES

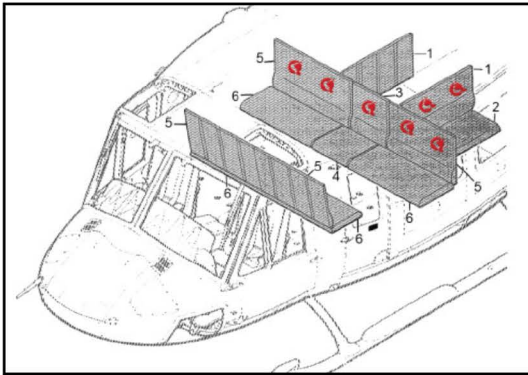
REFER TO
SWATCHES
EDITION
BROCHURE
FOR FULL
CATALOG

OEM PN	Aerotex PN	Description	Bell Model
Bell Medium - Crew Seat Cushions 1st Generation			
204-072-785-001	A-204-785-001	Crew Seat Back Cushion	
204-072-784-001	A-204-784-001	Crew Seat Bottom Cushion	
Bell Medium - Crew Seat Cushions 2nd Generation			
412-070-819-101	A-412-819-101	Crew Seat Back Cushion	204/205
412-070-819-1012			
412-070-819-103			
412-070-819-105	A-412-819-105	Crew Seat Back Lumbar Cushion	
412-070-819-107	A-412-819-107	Crew Seat Back Panel	
412-070-820-103	A-412-820-103	Crew Seat Bottom Cushion	212/412
412-070-820-103A			
412-070-820-103Z			
Bell Medium - Crew Seat Cushions 3rd generation			
108900-5	A-108900-5	Crew Seat Cushion Assy	412
108969-1	A-108969-1	Crew Seat Cover	

BELL MEDIUM - PASSENGER SEAT CUSHIONS

Our passenger seat cushions are designed to give your helicopter a more comforting and corporate look. Made of our standard Aerotex Fabric covers and high quality 2" foam for the back and bottom seat cushions.

Custom Logo Embroidery is Available. \$125 One-Time Setup Cost + \$35 per Embroidery.



BELL MEDIUM PASSENGER SEAT CUSHIONS



4 MAN AFT FACING SEATS



5 MAN FWD FACING SEATS



FABRIC EXAMPLES

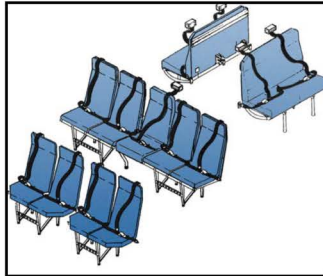
REFER TO SWATCHES EDITION BROCHURE FOR FULL CATALOG

OEM PN	Aerotex PN	Description	Bell Model
204-070-471-021	A-204-471-021	Head Rest Cushion	Medium
412-070-570-101	A-412-570-101	Two Place Back Serat Cushion	
412-070-570-101A	A-412-570-101AT	Side Facing Two Place Back Seat Cushion for Aux Tank	
412-070-571-101	A-412-571-101	OnePlace Back Seat Cushion	
412-070-571-101A			
412-070-572-101	A-412-572-101	Two Place Bottom Seat Cushion	
412-070-572-101A	A-412-572-101AT	Side Facing Two Place Bottom Seat Cushion for Aux Tank	
412-070-573-101	A-412-573-101	OnePlace Bottom Seat Cushion	
419-070-573-101A			
412-706-019-101	A-412-019-101	Seat Cushion Kit	
442-706-019-103			



BELL 212/412 - AIRLINER SEAT CUSHIONS

Our passenger seat cushions are designed to give your helicopter a more comforting and corporate look. Made of our standard Aerotex Fabric covers and high quality 2" foam for the back and bottom seat cushions.



PASSENGER AIRLINER SEAT CUSHIONS



AIRLINER SEAT CUSHION



AIRLINER SEAT CUSHION



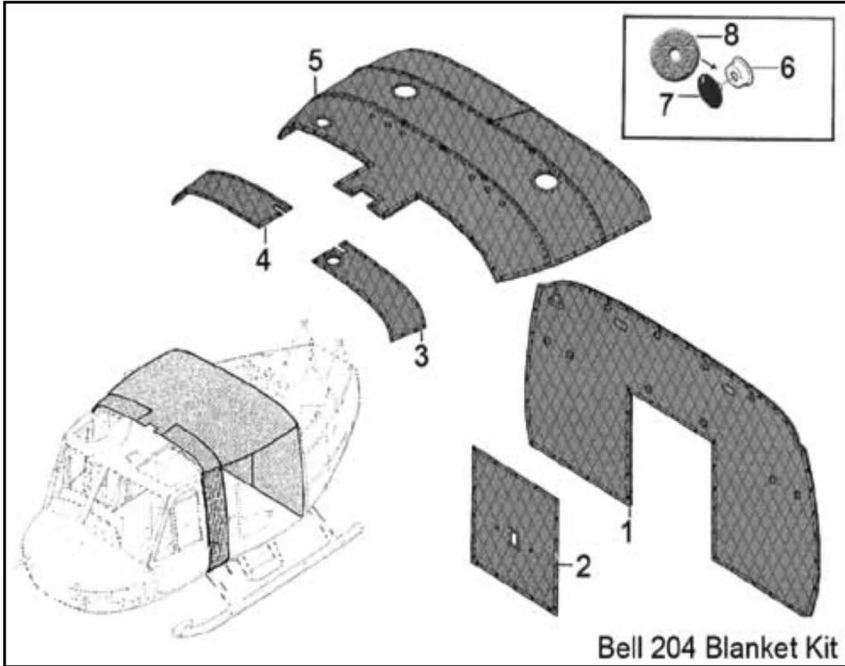
FABRIC
EXAMPLES

REFER TO
SWATCHES
EDITION
BROCHURE
FOR FULL
CATALOG

OEM PN	Aerotex PN	Description	Bell Model
103448-2	A-103448-2	Double Place Bottom Seat Cushion	412
103639-4	A-103639-4	LH Single Place Back Seat Cushion	
103448-4	A-103448-4	LH Single Place Bottom Seat Cushion	
103448-3	A-103448-3	RH Single Place Bottom Seat Cushion	
103639-3	A-103639-3	RH Single Place Back Seat Cushion	
103448-1	A-103448-1	Single Place Bottom Seat Cushion	
412-070-505-101	A-412-505-101	Centre Single Place Back Seat Cushion	
412-070-506-101	A-412-506-101	Centre Single Place Bottom Seat Cushion	
412-070-507-101	A-412-507-101	Two Place Back Seat Cushion	
412-070-508-101	A-412-508-101	Two Place Bottom Seat Cushion	

BELL 204 - BLANKET KIT

Our Blanket Kits are made of military spec quilted soundproofing insulation, binded with military spec webbing and enforced with a rugged rubber material. Cut out and enforcement holes are made for all necessary accessories (posts, air duct, lighting, speakers, cargo tie downs, etc.)



BELL 204 BLANKET KIT



COLOR
EXAMPLES

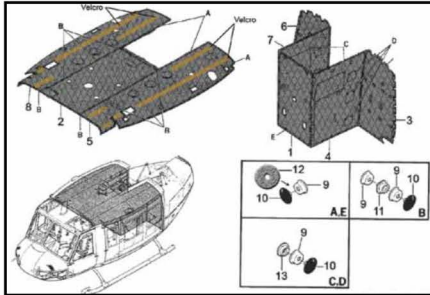
REFER TO
SWATCHES
EDITION
BROCHURE
FOR FULL
CATALOG

OEM PN	Aerotex PN	Description	Bell Model
204-070-522-023	A-204-522-023	← Bulkhead- Blanket	204
204-070-522-025	A-204-522-025	← Bulkhead Door- Blanket	
204-070-523-011	A-204-523-011	← *Complete - Blanket Kit	
204-070-521-033	A-204-521-033	← L/H Roof - Blanket	
204-070-521-029	A-204-521-029	← R/H Roof - Blanket	
204-070-521-025	A-204-521-025	← Roof - Blanket	

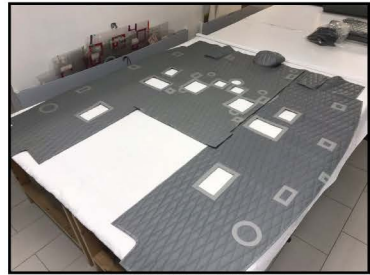


BELL 205 - BLANKET KIT 1 & 2

Our Blanket Kits are made of military spec quilted soundproofing insulation, binded with military spec webbing and enforced with a rugged rubber material. Cut out and enforcement holes are made for all necessary accessories (posts, air duct, lighting, speakers, cargo tie downs, etc.)



BELL 205 BLANKET KITS



BELL MEDIUM BLANKET KIT



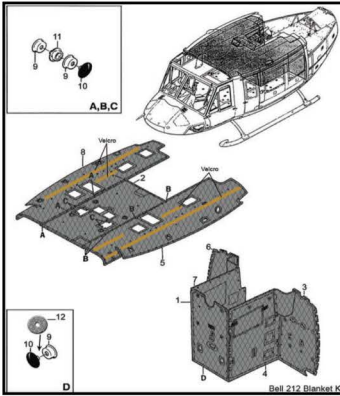
COLOR
EXAMPLES

REFER TO
SWATCHES
EDITION
BROCHURE
FOR FULL
CATALOG

OEM PN	Aerotex PN	Description	Bell Model
Bell 205 - Blanket Kit 1			
205-072-714-001	A-205-714-003	*Complete - Blanket Kit (SN 30003 THRU 30127)	205
205-072-717-001	A-205-717-011	Center Pylon - Blanket (SN 30003 THRU 30127)	
205-072-715-005	A-205-715-101	Center Roof- Blanket (SN 30003 THRU 30127)	
205-070-612-057	A-205-612-057	L/H Bulkhead - Blanket	
205-072-716-001	A-205-614-041	L/H Pylon - Blanket	
205-072-715-087	A-205-715-087	L/H Roof- Blanket	
205-070-612-058	A-205-612-058	R/H Bulkhead- Blanket	
205-072-716-002	A-205-614-042	R/H Pylon - Blanket	
205-072-715-089	A-205-715-089	R/H Roof- Blanket	
Bell 205 - Blanket Kit 2			
205-072-714-003	A-205-714-003	*Complete - Blanket Kit (SN 30128 THRU SUB)	205
205-072-717-011	A-205-717-011	Center Pylon - Blanket (SN 30128 THRU SUB)	
205-072-715-101	A-205-715-101	Center Roof- Blanket (SN 30128 THRU SUB)	
205-070-612-057	A-205-612-057	L/H Bulkhead- Blanket	
205-070-614-041	A-205-614-041	L/H Pylon - Blanket	
205-072-715-087	A-205-715-087	L/H Roof- Blanket	
205-070-612-058	A-205-612-058	R/H Bulkhead - Blanket	
205-070-614-042	A-205-614-042	R/H Pylon - Blanket	
205-072-715-089	A-205-715-089	R/H Roof- Blanket	

BELL 212 - BLANKET KIT 1, 2, 3, & S

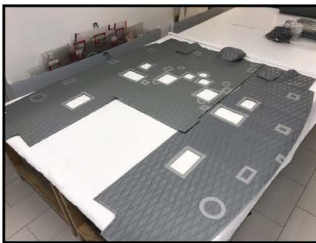
Our Blanket Kits are made of military spec quilted soundproofing insulation, binded with military spec webbing and enforced with a rugged rubber material. Cut out and enforcement holes are made for all necessary accessories (posts, air duct, lighting, speakers, cargo tie downs, etc.)



BELL 212 BLANKET KIT



SIDE WALL BLANKET



BELL MEDIUM BLANKET KIT



BELL MEDIUM BLANKET KIT



COLOR
EXAMPLES

REFER TO
SWATCHES
EDITION
BROCHURE
FOR FULL
CATALOG

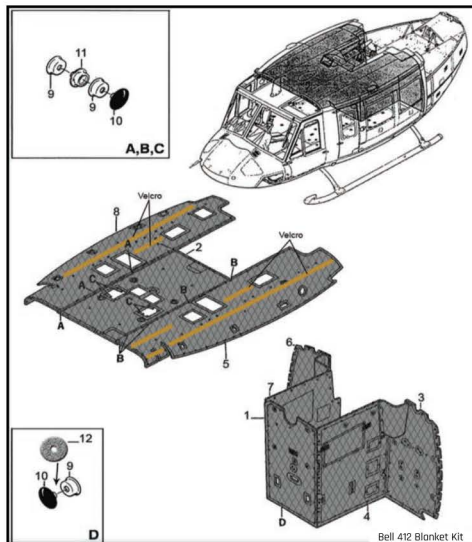
OEM PN	Aerotex PN	Description	Bell Model
Bell 212 - Blanket Kit 1			
212-080-601-001	A-212-601-103	*Complete - Blanket Kit (SN 30504 THRU 30553)	212
212-070-603-001	A-212-603-103	Center Pylon - Blanket (SN 30504 THRU 31311, 35001 THRU 35062)	
212-070-562-005	A-212-562-005	Center Roof- Blanket (SN 30554 THRU SUB)	
212-070-604-001	A-212-604-001	L/H Bulkhead- Blanket	
212-070-605-003	A-212-605-101	L/H Pylon - Blanket (SN 30554 THRU 31311, 35001 THRU 35062)	
212-070-602-001	A-212-562-139	L/H Roof- Blanket (SN 30504 THRU 30553)	
212-070-604-002	A-212-604-002	R/H Bulkhead- Blanket	
212-070-605-004	A-212-605-102	R/H Pylon - Blanket (SN 30504 THRU 31311, 35001 THRU 35062)	
212-070-602-002	A-212-562-141	R/H Roof- Blanket (SN 30504 THRU 30553)	



OEM PN	Aerotex PN	Description	Bell Model
Bell 212 - Blanket Kit 2			
212-070-601-005	A-212-601-103	*Complete - Blanket Kit (SN 30554 THRU 31311, 35001 THRU 35062)	212
212-070-603-001	A-212-603-103	Center Pylon - Blanket (SN 30504 THRU 31311,35001 THRU 35062)	
212-070-602-003	A-212-562-005	Center Roof- Blanket (SN 30504 THRU 30553)	
212-070-604-001	A-212-604-001	L/H Bulkhead- Blanket	
212-070-605-003	A-212-605-101	L/H Pylon - Blanket (SN 30504 THRU 31311, 35001 THRU 35062)	
212-070-562-001	A-212-562-139	L/H Pylon - Blanket (SN 30554 THRU 31311, 35001 THRU 35062)	
212-070-604-002	A-212-604-002	R/H Bulkhead- Blanket	
212-070-605-004	A-212-605-102	R/H Pylon - Blanket (SN 30504 THRU 31311, 35001 THRU 35062)	
212-070-562-003	A-212-562-141	R/H Roof- Blanket (SN 35063 THRU SUB)	
Bell 212 - Blanket Kit 3			
212-070-601-103	A-212-601-103	*Complete - BlanketKit (SN 35063 THRU SUB)	212
212-070-603-103	A-212-603-103	Center Pylon - Blanket (SN 35063 THRU SUB)	
212-070-562-005	A-212-562-005	Center Roof- Blanket (SN 30554 THRU SUB)	
212-070-604-001	A-212-604-001	L/H Bulkhead- Blanket	
212-070-605-101	A-212-605-101	L/H Pylon - Blanket (SN 35063 THRU SUB)	
212-070-562-139	A-212-562-139	L/H Roof- Blanket (SN 35063 THRU SUB)	
212-070-604-002	A-212-604-002	R/H Bulkhead - Blanket	
212-070-605-102	A-212-605-102	R/H Pylon - Blanket (SN 35063 THRU SUB)	
212-070-562-141	A-212-562-141	R/H Roof - Blanket (SN 35063 THRU SUB)	
Bell 212S Single - Blanket Kit			
212-070-601-103	A-212S-601-103	*Complete- Blanket Kit	212S
212-070-603-103	A-212S-603-103	Center Pylon - Blanket	
212-070-562-005	A-212S-562-005	Center Roof- Blanket (Grey)	
212-070-604-001	A-212S-604-001	L/H Bulkhead- Blanket	
212-070-605-101	A-212S-605-101	L/H Pylon - Blanket	
212-070-562-139	A-212S-562-139	L/H Roof- Blanket	
212-070-604-002	A-212S-604-002	R/H Bulkhead- Blanket	
212-070-605-102	A-212S-605-102	R/H Pylon - Blanket	
212-070-562-141	A-212S-562-141	R/H Roof- Blanket	

BELL 412 - BLANKET KIT

Our Blanket Kits are made of military spec quilted soundproofing insulation, banded with military spec webbing and enforced with a rugged rubber material. Cut out and enforcement holes are made for all necessary accessories (posts, air duct, lighting, speakers, cargo tie downs, etc.)



BELL 412 BLANKET KIT



SIDE WALL BLANKET



COLOR
EXAMPLES

REFER TO
SWATCHES
EDITION
BROCHURE
FOR FULL
CATALOG

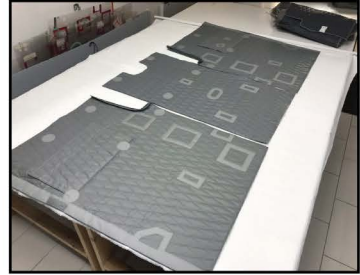
OEM PN	Aerotex PN	Description	Bell Model
Bell 412 - Blanket Kit			
412-705-510-105	A-412-510-101	*Complete - Blanket Kit (SN 36057 THUR SUB)	412
212-070-603-103	A-212-603-001	Center Pylon - Blanket (USBL ON 412-705-510-101 AND -105)	
212-070-562-137	A-212-562-137	Center Roof- Blanket (USBL ON 412-705-510-101 AND -105)	
212-070-604-001	A-212-604-001	L/H Bulkhead - Blanket	
212-070-605-003	A-212-605-003	L/H Pylon - Blanket (USBL ON 412-705-510-101 AND -105)	
212-070-562-139	A-212-562-001	L/H Roof- Blanket (USBL ON 412-705-510-105)	
212-070-604-002	A-212-604-002	R/H Bulkhead - Blanket	
212-070-605-004	A-212-605-004	R/H Pylon - Blanket (USBL ON 412-705-510-101 AND -105)	
212-070-562-141	A-212-562-003	R/H Roof- Blanket (USBL ON 412-705-510-105)	



BELL 412/CF - BLANKET KIT 1



BELL MEDIUM BLANKET KIT



BELL MEDIUM BLANKET KIT

OEM PN	Aerotex PN	Description	Bell Model
Bell 412 - Blanket Kit 1			
412-705-510-101	A-412-510-101	*Complete - Blanket Kit (SN 33108 THUR 33213, 36001 THRU 36056)	412
212-070-603-001	A-212-603-001	Center Pylon - Blanket (USBL ON 412-705-510-101 AND -105)	
212-070-562-137	A-212-562-137	Center Roof - Blanket (USBL ON 412-705-510-101 AND -105)	
212-070-604-001	A-212-604-001	L/H Bulkhead - Blanket	
212-070-605-003	A-212-605-008	L/H Pylon - Blanket (USBL ON 412-705-510-101 AND -105)	
212-070-562-001	A-212-562-001	L/H Roof- Blanket (USBL ON 412-705-510-105)	
212-070-604-002	A-212-604-002	R/H Bulkhead - Blanket	
212-070-605-004	A-212-605-004	R/H Pylon - Blanket (USBL ON 412-705-510-101 AND -105)	
212-070-562-003	A-212-562-003	R/H Roof- Blanket (USBL ON 412-705-510-101)	
Bell 412CF Blanket Kit			
212-070-605-119	A-212-605-119	Center Pylon - Blanket	412CF
212-070-603-119	A-212-603-119	Center Pylon - Blanket	
212-070-562-143	A-212-562-143	Center Roof- Blanket	
212-070-604-119	A-212-604-119	L/H Bulkhead - Blanket	
212-070-605-105	A-212-605-105	L/H Pylon - Blanket	
212-070-562-145	A-212-562-145	L/H Roof- Blanket	
212-070-604-120	A-212-604-120	R/H Bulkhead - Blanket	
212-070-605-106	A-212-605-106	R/H Pylon - Blanket	
212-070-562-147	A-212-562-147	R/H Roof- Blanket	

Website

www.aerotex.ca

Products & Services / Information Requests

info@aerotex.ca

Address

Aerotex Interiors Inc.
151 - 2340 Pegasus Way NE
Calgary, AB, CANADA
T2E 8M5

Phone

1 (403) 295-8770

Toll Free

1 866 560-AERO (2376)

Fax

1 (403) 313-0793

