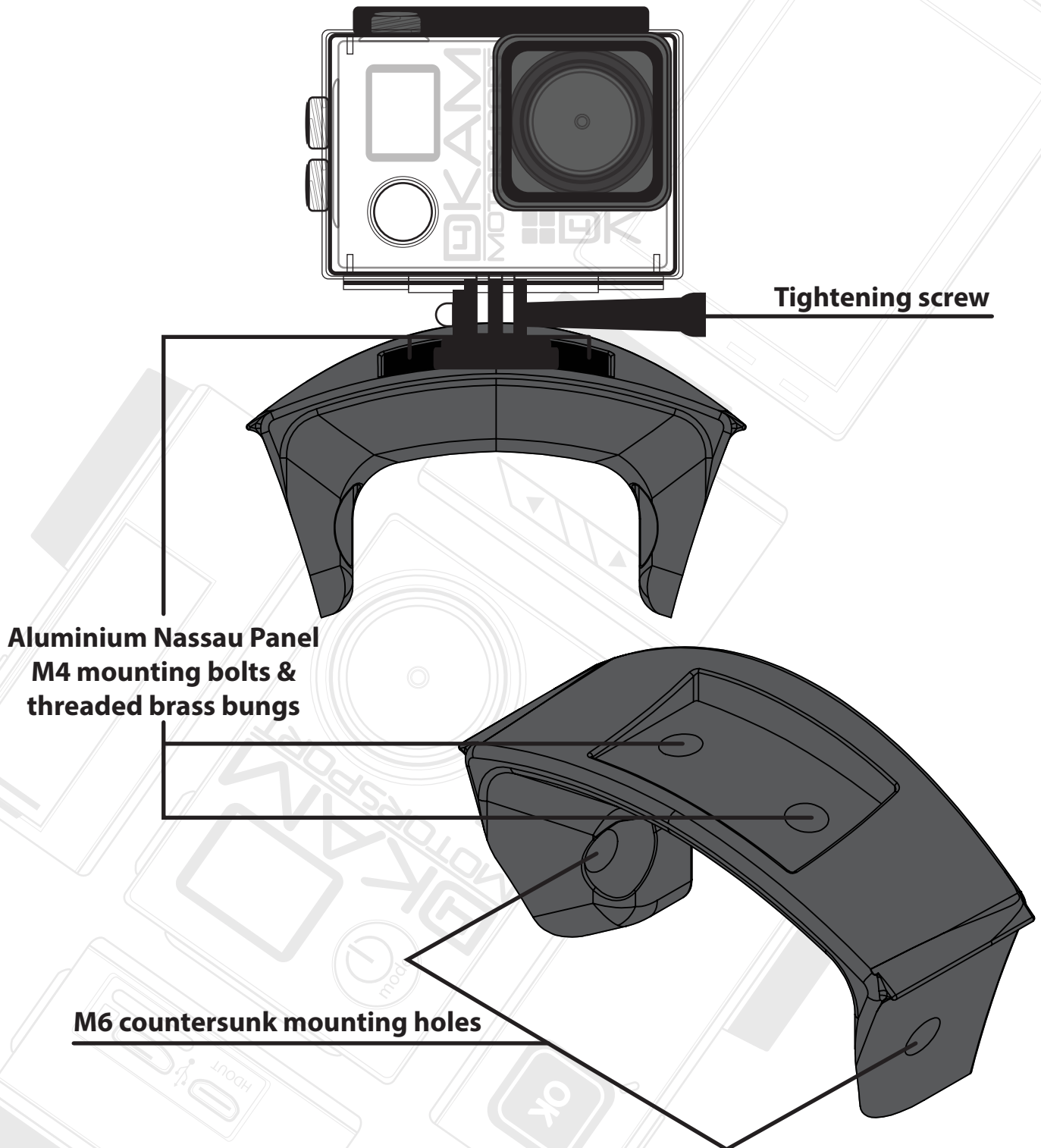


3D Printed Aero Nassau Panel Mount

The lightweight and durable 3D printed Nassau Panel mount is great for mounting your camera to your aero nassau panel. The mount screws directly to your aero nassau panel and incorporates our extremely durable aluminium nassau panel mount. This mount is designed specifically for the NEW aero nassau panel.



First align mount appropriately in accordance with regulating authority guidelines. With a scribe or small nail mark countersunk mounting holes onto Aero Nassau Panel and pre-drill to suit mounting bolt either M5 or M6 countersunk bolt. Be sure to use a washer and locknut or similar for affixing to the back of the bolt. NOTE: Do not over-tighten the mount. Once the mount is fixed securely fit the camera and position accordingly being sure to do up the tightening bolt adequately.