

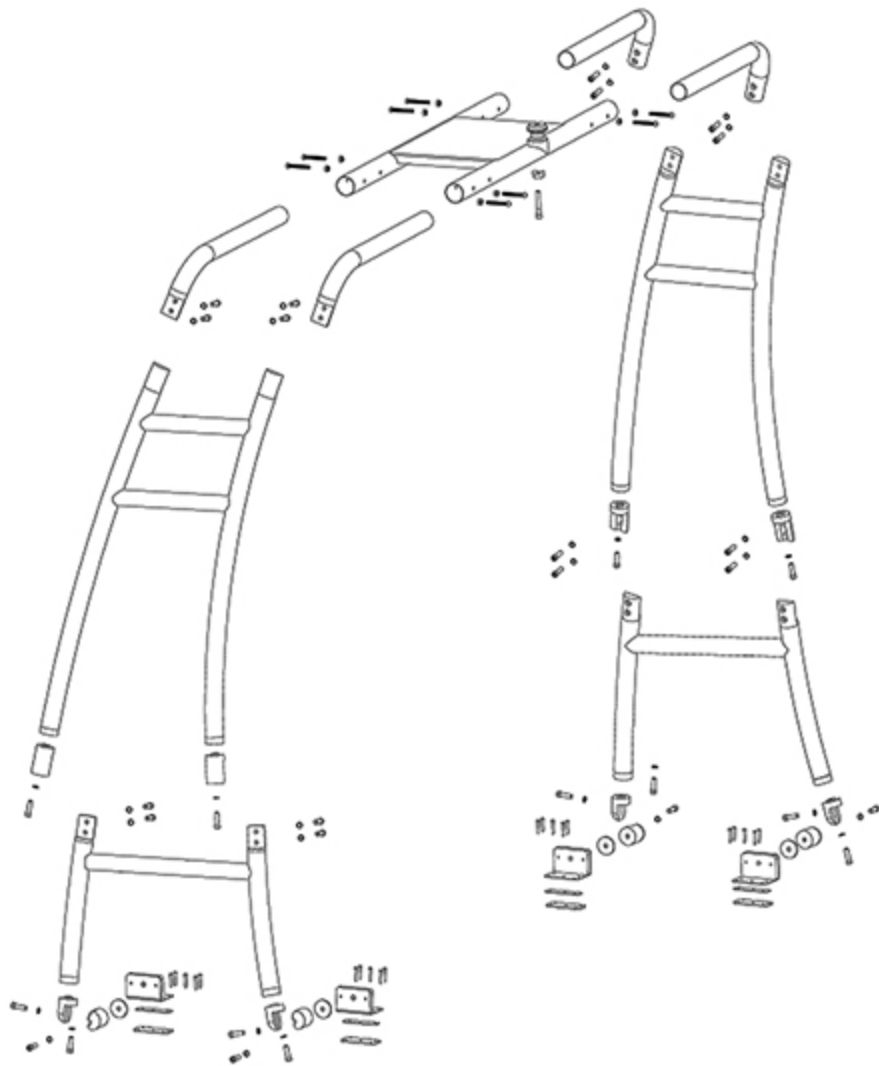
Universal Radar Arch - 74in Installation Guide



Before the installation, please read the following tips carefully.

1. You will receive 2 separate packages for this tower, one is big for the top sections and legs which is also a standard wakeboard tower including a full set of mounting kit for standard wakeboard tower installation. The other carton is smaller which includes the pair of base bars and a set of mounting kit for pontoon boat, the 4x L brackets are used for pontoon boats only, you may disregard them and use the standard round deck mounts.
2. The tow point is removable. If you use the tower a radar arch, you can discard the tow eye or install it upside down in case it blocks your radar installation.

The big carton will include the following parts



Detailed mounting kit



10 x M6 short Bolts
(already installed in fittings)



8 x M12 Short Bolts



4 x M12 Long Bolts



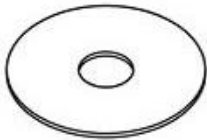
8 x Split Washers



4 x small Nylon washer



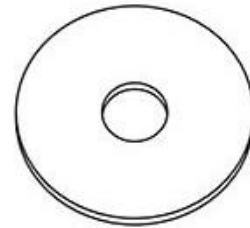
4 x Locking Nut



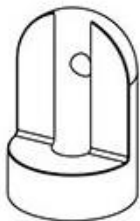
4 x Large Nylon Plates



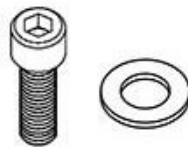
4 x Open Hole leg fittings



4 x Large 70mm Alloy plates



4 x Flat Base Deck Mounts

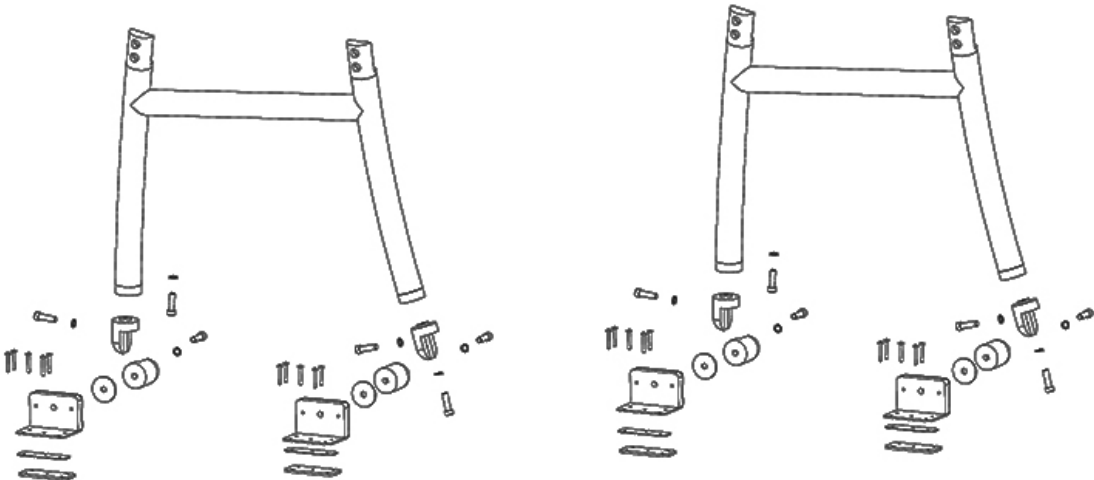


1 x Tow Point Bolt and Washer



1 x Tow Point

The smaller carton will include the following parts

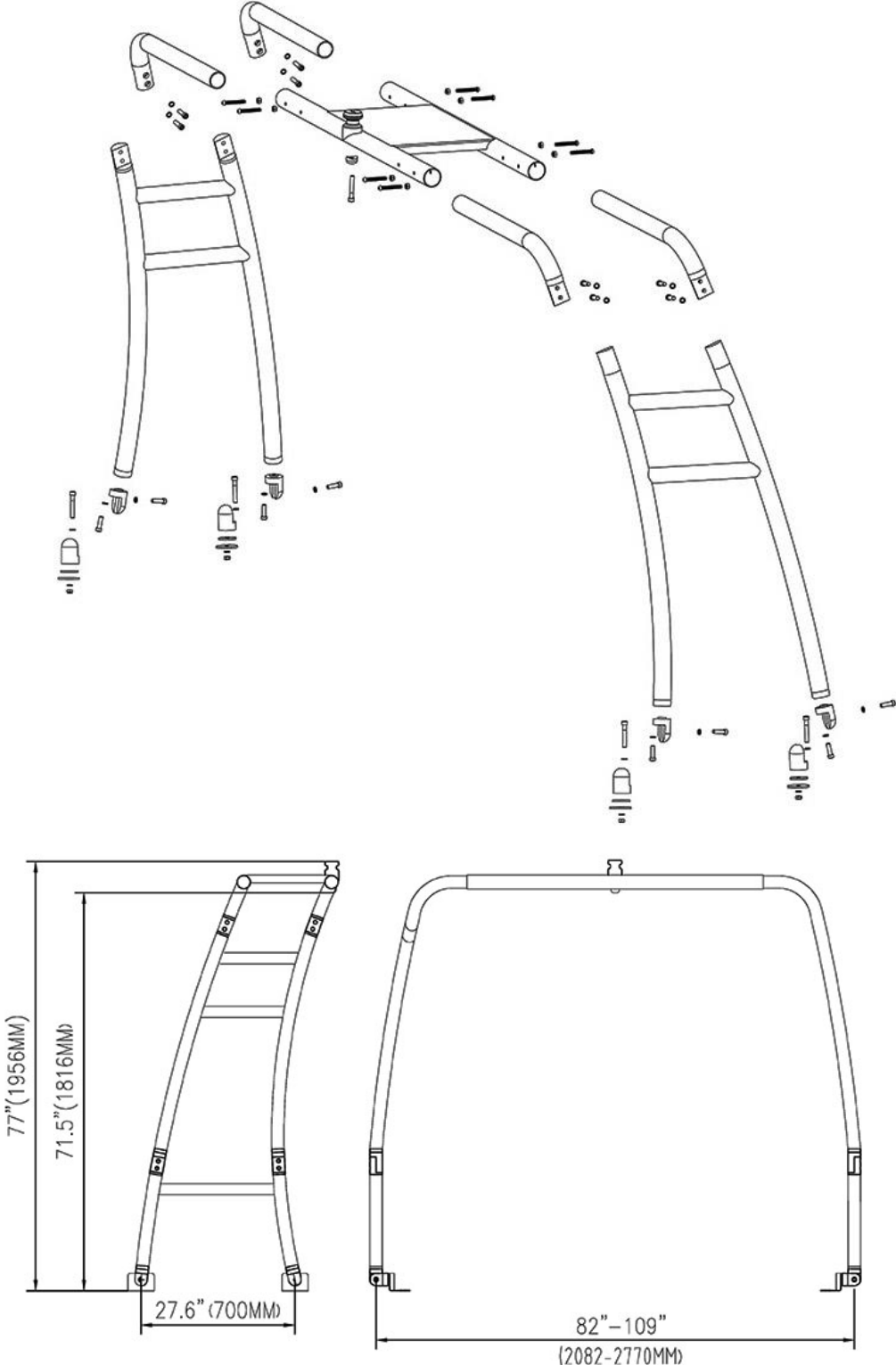


Detailed mounting parts in this package

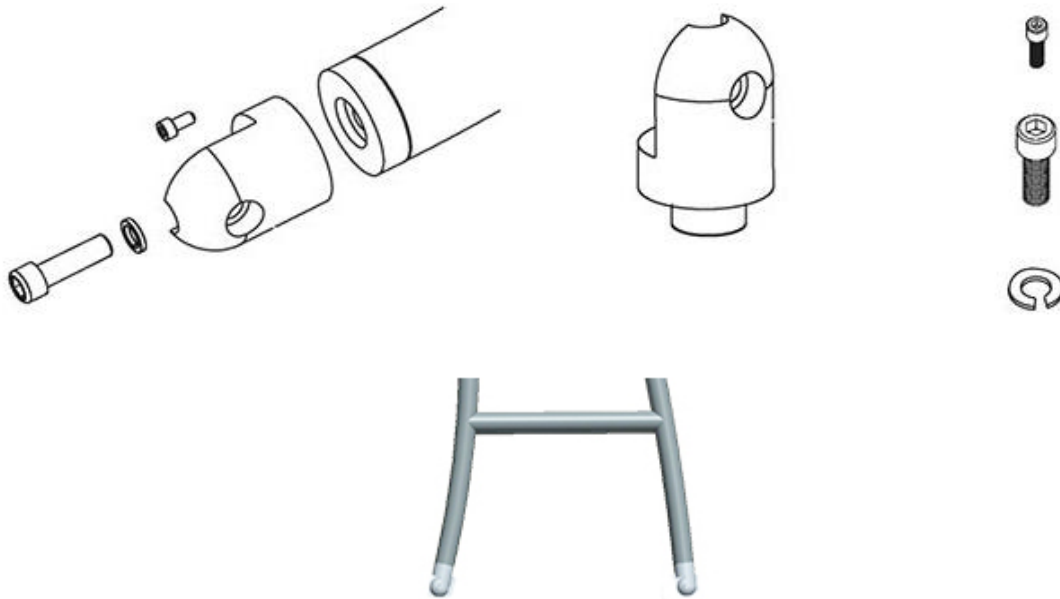


Step1: First of all, have a look over the exploded drawing and learn the main dimensions of the tower.

Step2: Attach the 4x through-hole feet to the 2x H legs.



Step2: Attach the 4x through-hole feet to the 2x H legs.



Step3: Decide where you will locate the radar arch. The mounting width is normally 82in-109in adjustable, however you can cut the horizontal arms or the H section to make the tower narrower to fit your boat.

Use the U-shape leg as a tool mark the location of the front and rear mount. The mount can be top or side mounted, just make sure the surface is flat to allow the round mount sit well. Measure the width from the left to right where you will mount the radar arch.

Tips:

1. You must make sure the mounting position is symmetrical, use the front or rear of the boat as a reference.
2. There should be no wire or any block under the deck.

Step4: Assemble the tower on ground. Firstly, insert the 4x L arms into the H top section, keep them loose, and then attach the 2x H legs to the arms. You cannot reverse order or you will feel hard to insert the horizontal arms into H section.

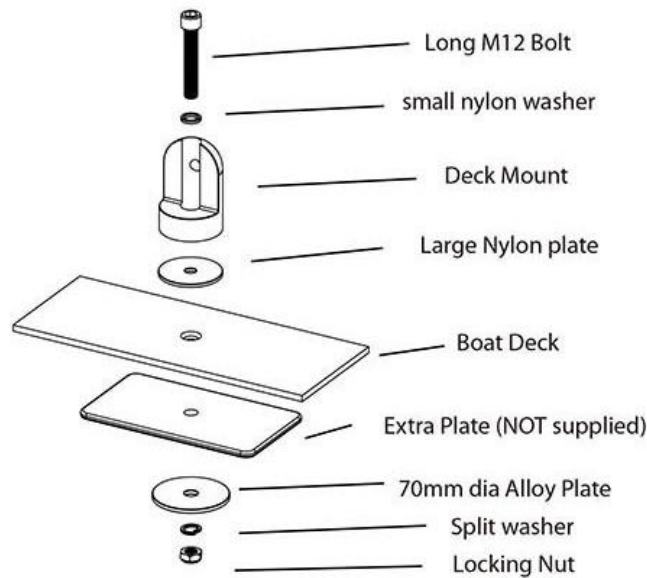
Lift the tower and adjust the width as close as your previous measurement, DO NOT tighten any bolt at this stage.



Step5: Re-confirm the exact location for the 4x deck mounts, we recommend you attach the deck mounts to the legs and use it as a tool to mark the 4x positions, or measure the exact distance between the center point of the front and rear mount. Keep in mind the left and right must be symmetrical and square.

And make sure the nylon washer and nylon plate part are assembled in correct order, which will help you fold the tower in future.

Note the flat base
Note the threaded hole in the fitting
Deck Mount assembly for top or side.



Step 6: Installation of Deck Mounts onto Boat.

NOTE : WARNING

Before Drilling into your boat PLEASE check that you have clear access to the area.
Check for objects, wires or other hazards.

TIP

Do not measure from windscreen, cleats, vents or use as a reference point.
These objects are not always square and the same as the opposite side.
It is best to use the front or rear of the boat as the reference point Or the top edge of the deck mould or similar if possible. Always triple measure and check before drilling

Tighten the deck mounts allow them to rotate, if the will not rotate under presure or leverage from attaching leg check the assembly is correct. (note they will be very hard to rotate by hand)

Step7: Attach the 2x base bars to the deck mounts.

Ste8: Attach the top tower to the base bars. Note a wakeboarding tow eye is included in the package, you can discard it or assemble it upside down in case it blocks your radar installation.

You can also use it as a center reference to make sure the H section sit in middle of the tower, then drill holes through the H section and horizontal arms and connect them with the 8x long bolts and nuts.

Step9: Tight all bolts.

How to fold the tower

Disassemble the front or rear feet from the deck mounts, you can push down the tower to the opposite direction.

CARE AND MAINTENANCE

Be sure to check and tighten all fastners and connections prior to every use
Be cautious when towing or driving under obstacles, low hanging structures or trees
Leave tower in the erect position when towing behind a vehicle
Use soap and water to clean your tower. Avoid abraasive material that might scratch or damage the tower protective finish.
Always rinse and wipe down tower after contact with salt (brackish) water.

WARNING

The construction of your boat, design of the deck, thickness of deck and walls and overall design may cause movement at the mounting points.

If the construction of you boat causes movement at the mounting points or incorrect mounting location creates added pressure on joints increasing movement of the tower it voids warranty.

If in doubt do not install the tower.

Check all bolts and parts prior to use, especially after towing behind a vehicle, lowering and raising after storage.

WARNING

Do not stand, climb or jump off tower, do not tow a boat behind a vehicle with the tower lowered.
Do Not, tow tubes, boats or other watercraft from the tower. Watch out whilst moving under objects, such as bridges, low building and trees.

Dolphin Canada Distributor - Seamax Marine & Outdoor

102 – 19155 38 Ave, Surrey, BC, Canada V3Z 0Y6

www.seamaxmarine.com 1877-907-7766

SUPPORT@SEAMAXMARINE.COM