

# Jeff Alpaugh Custom

THE WORLDS MOST DANGEROUS DRESS SHIRTS

## Contact Information

Name:	Address:
Number:	
Email:	

## Measurements (cms)

Height:	Weight:	Photos:
---------	---------	---------

## Shirt

Neck:	Shoulder:	L	R
Chest:	Armpit:	L	R
Stomach:	Bicep:	L	R
Waist:	Wrist:	L	R
Hips:	Sleeve Length:	L	R
Front Length:			

## Jacket

Chest:	Back (Lats):	Spine:
--------	--------------	--------

## Pants

Belly Button – Waist:			Waist:		
U/Crotch:			Hips:		
Out seam:	L	R	Circumferences		
Waist – Quad	L	R	Quad	L	R
Waist - Knee	L	R	Knee	L	R
Waist – Calf	L	R	Calf	L	R
Waist - Ankle	L	R	Ankle	L	R

# Jeff Alpaugh Custom

THE WORLDS MOST DANGEROUS DRESS SHIRTS

Name:

Date:

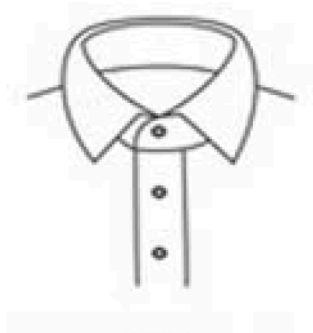
Shirt #

Category: Classic

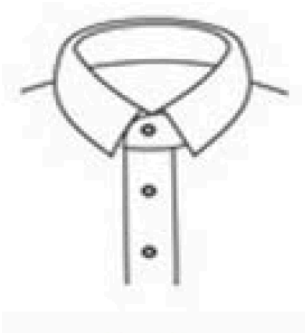
Gateway

Dangerous

Collar:



Classic

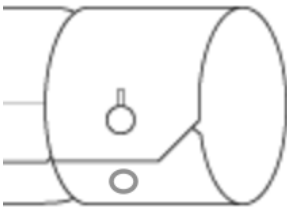


Small

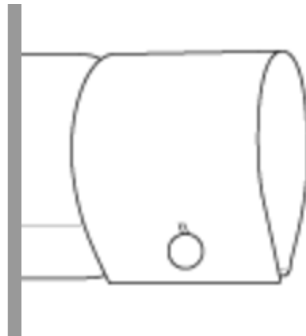


Cutaway

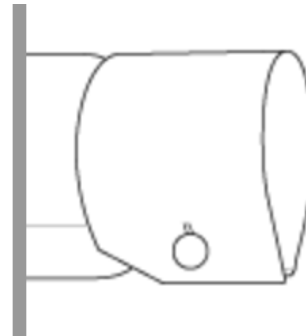
Cuffs:



Regular



French Cuff Barrel



French Cuff Angled

Button Colour:

Monogram:

Monogram Colour:

Monogram Font: Block

Cursive

Funky

Additional Notes:

JEFF ALPAUGH

*Jeff Alpaugh*

Jeff Alpaugh