

# Shaker Stove



**WITTUS**<sup>®</sup>  
FIRE BY DESIGN

# Shaker

## Contemporary and Classic

Inspired by classic American Shaker furniture designs, the Shaker stove is streamlined, functional and comfortable in the most contemporary surroundings. This stove is "warm furniture" at its best and has an enormous emotional impact on the living space, not only as a decorative accent but as a working, heat producing unit.

The Shaker wood burning stove/fireplace comes in matte black steel and is available in two versions. The standard model Shaker short bench features a short table and measures 41" high, 34" wide, and 21" deep. The extra-long version Shaker long bench has a bench that measures 6', that can be used for cozy fireside seating. Both styles offer a choice of either a left or right side loading door.

The Shaker is produced in Europe and designed by Italian architect Antonio Citterio with Toan Nguyen. It is the winner of both the prestigious reddot design award and the Chicago Museum of Architecture Good Design awards in 2006.



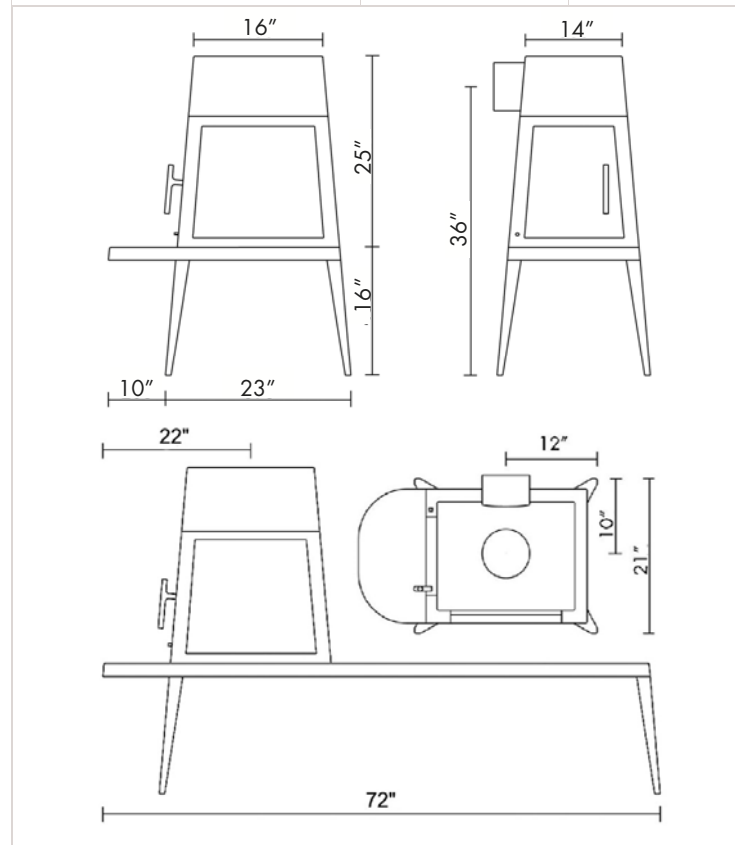
Antonio Citterio is one of the most internationally renowned architects and designers in the world. He claims the secret of his success is his commitment to truth and individuality. "I design objects for myself, and not in response to the recommendations of the market. If I didn't want to surround myself with my designs, then they wouldn't exist."

All models utilize a highly efficient firebox and operate on an optimal burn rate system that produces both minimal emissions and a visually striking fire. EPA certified and approved to UL/ULC standards.



### Technical Specifications

Material	Steel	
Color	Black	
Optimal heat output	20,000BTU	6kW
Heat output range	10kBTU-23kBTU	3kW-7kW
Heating capacity range	520-1330ft <sup>2</sup>	20-50m <sup>2</sup>
Flue size	6"	15cm
Venting	Top or Back	
Outside Air - available opening at back of stove	Height is 19.5"(50cm) at center of 4" diam. opening	
Weight	300-330lb	136-150kg
Firebox: height/width/depth	14/16/12"	35/40/30cm



Chilton Furniture  
184 Lower Main Street  
Freeport, Maine 04032

Toll Free: 888-510-6300  
Phone: 207-865-4308

www.chiltons.com

