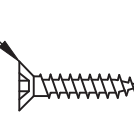


Bolt through fixing x 4



Wood screws x 8

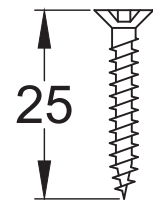
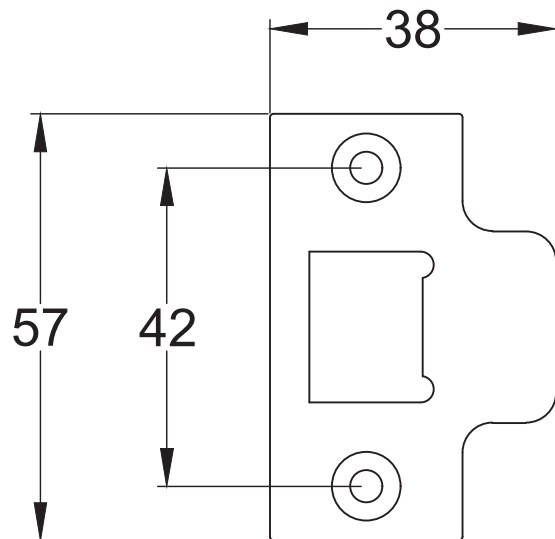
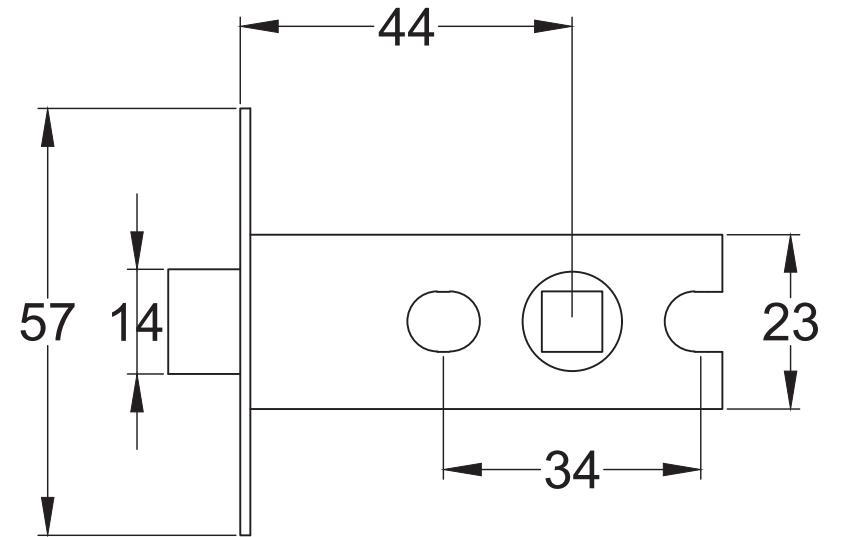
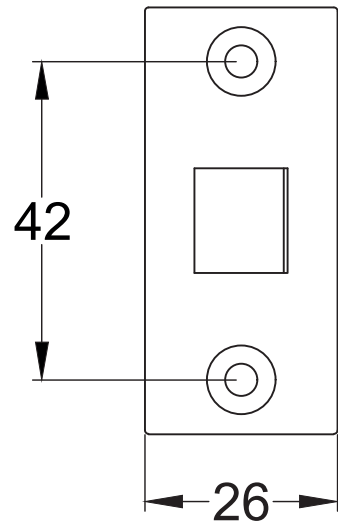


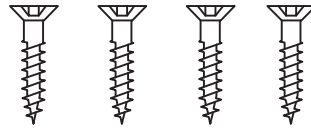
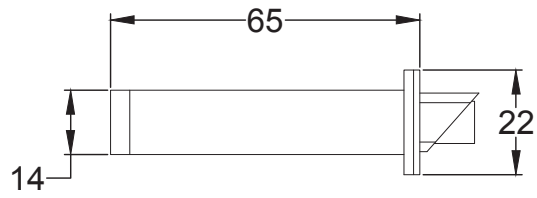
Allen key x 1



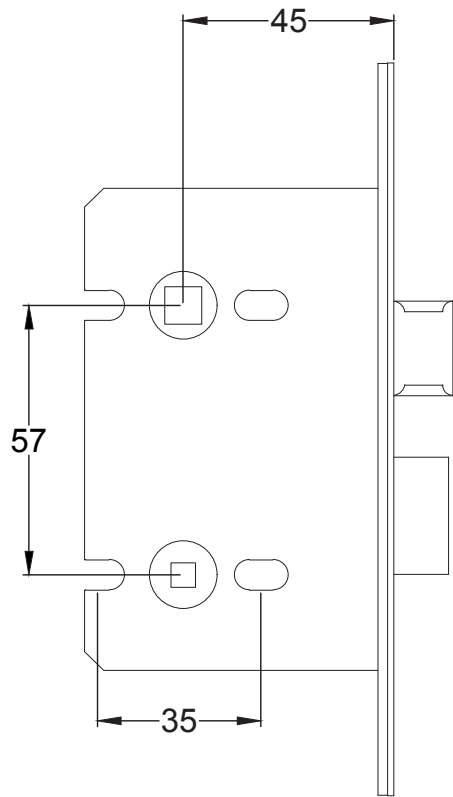
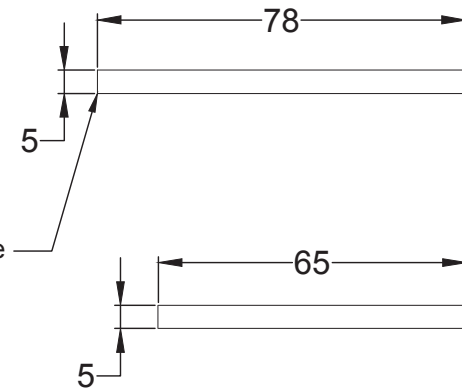
Mortice bar x 1



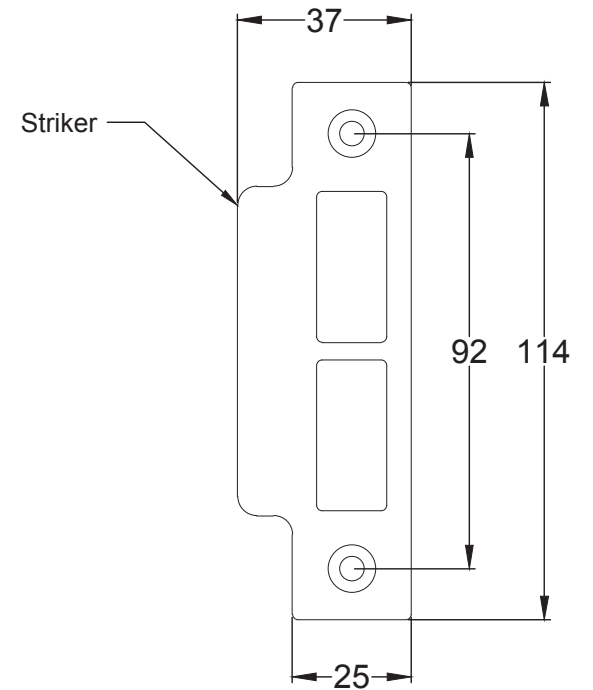
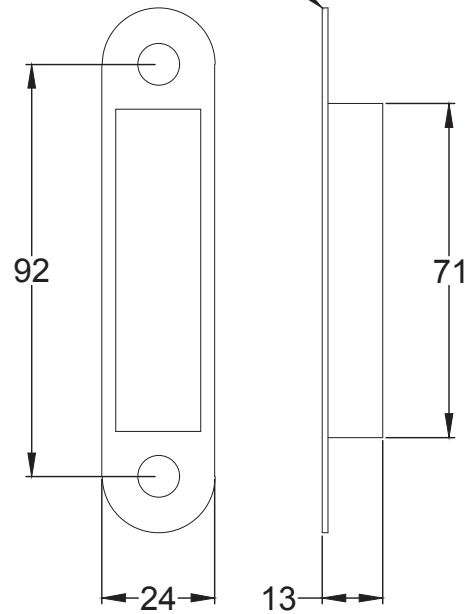


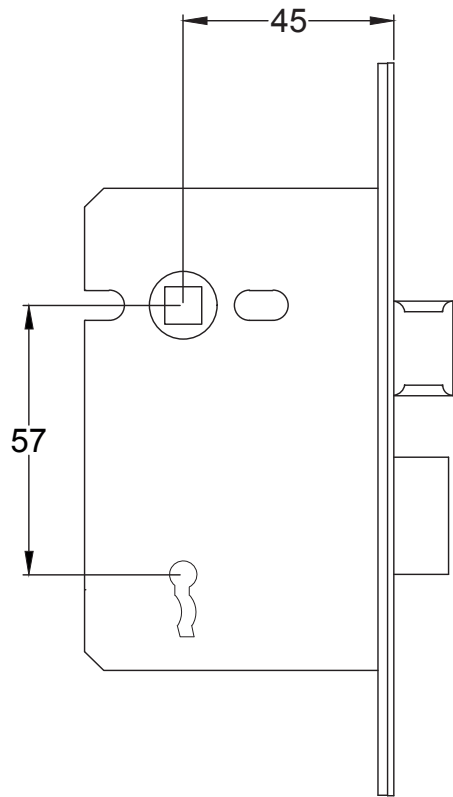
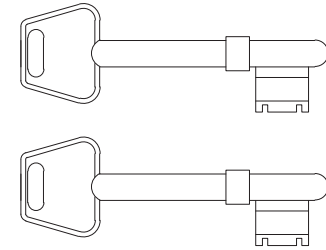
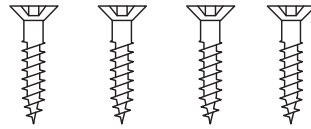
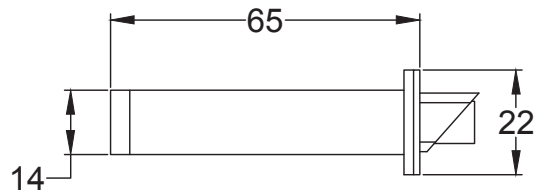


Mortice Bar 5mm Square

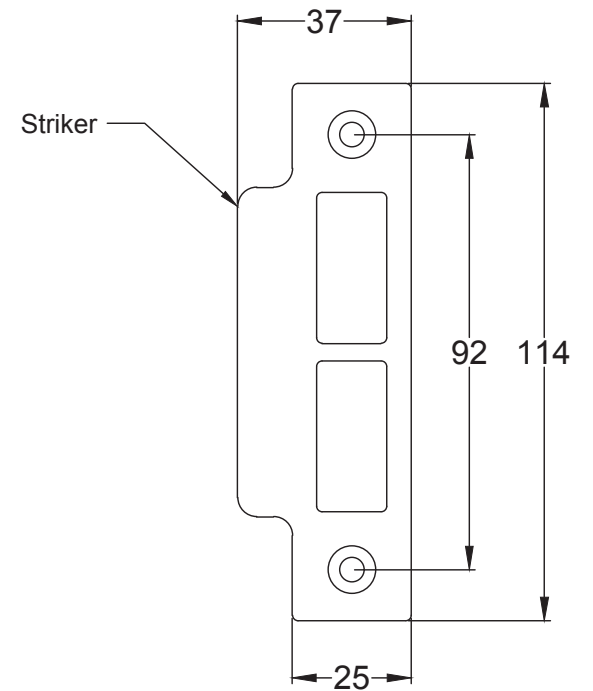
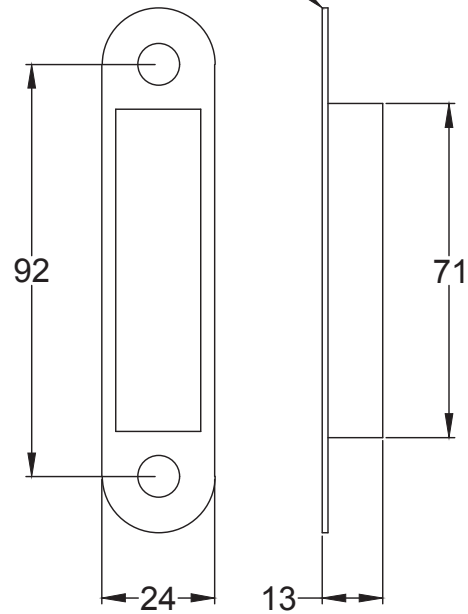


Black Plastic Dust Box

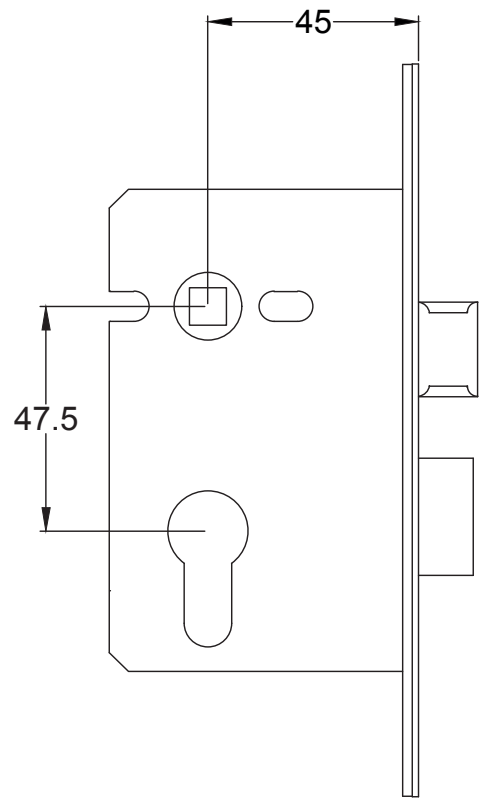
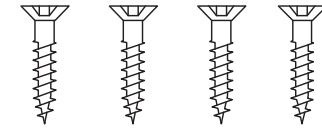
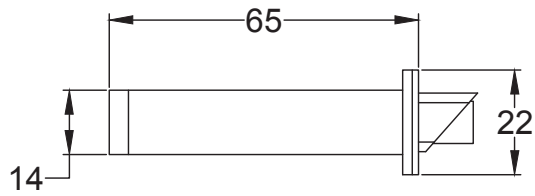




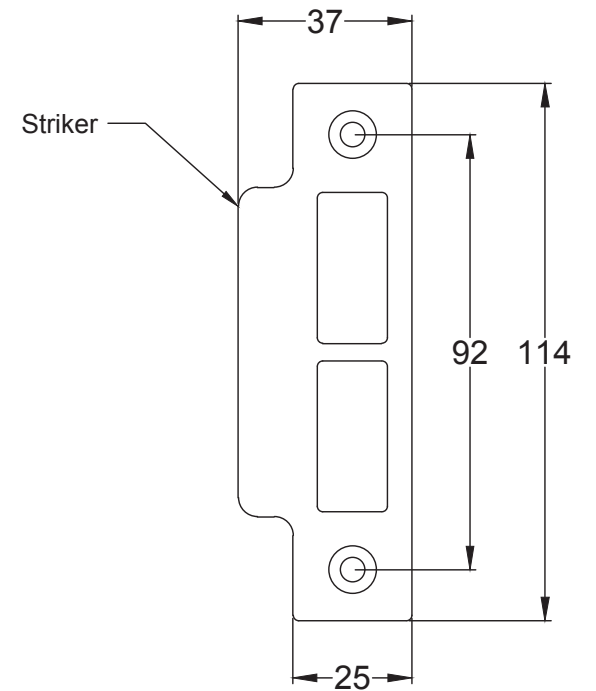
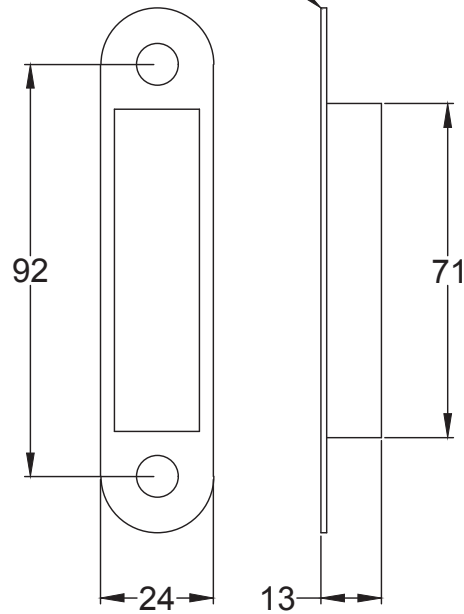
Black Plastic Dust Box

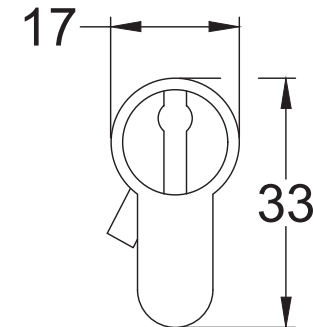
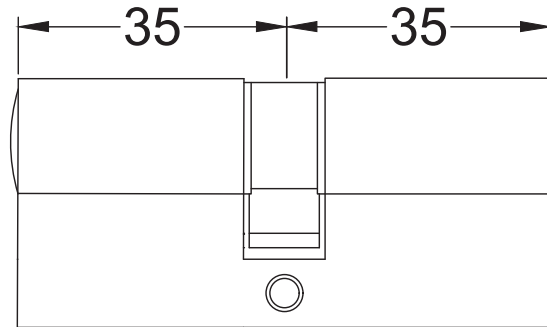
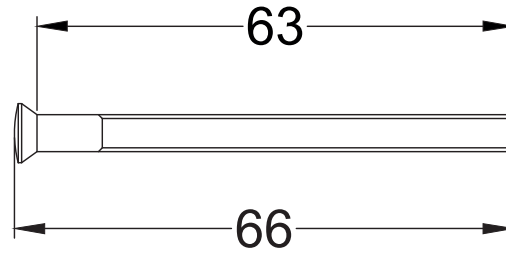


Striker



Black Plastic Dust Box





Web: [www.suffolkatchcompany.co.uk](http://www.suffolkatchcompany.co.uk)  
 Email: [info@suffolkatchcompany.co.uk](mailto:info@suffolkatchcompany.co.uk)  
 Tel: 01787 277277

Suffolk Latch Company Ltd  
 Unit B  
 Clare  
 Suffolk  
 CO10 8QD

Scale: 1:1

SKU: UK-YKCSLE29.CE

Date: 25/01/2019

Drawn By: Carl Benson

Product Name: Euro Sash Lock Body 35 x 35mm

Material / Colour: Stainless Steel/Chrome Finish

Pack Content 1; 1 x Euro Profile Cylinder, 1 x Fixing Bolt, 3 x Spare Keys.

**Suffolk Latch Co**  
[suffolkatchcompany.co.uk](http://suffolkatchcompany.co.uk)

