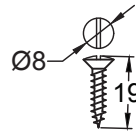
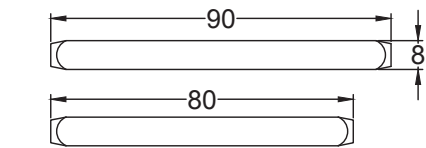
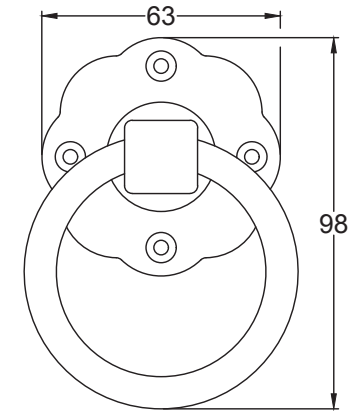
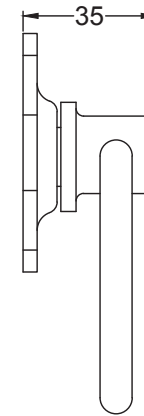
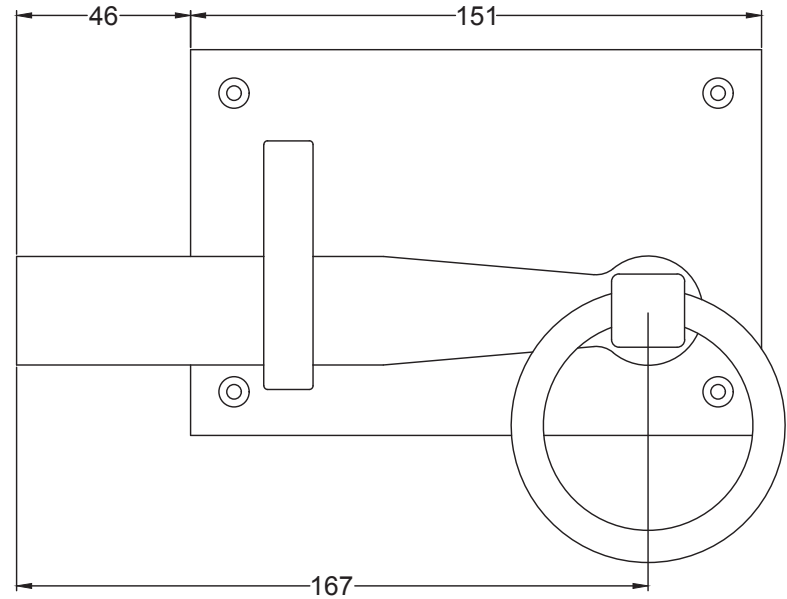
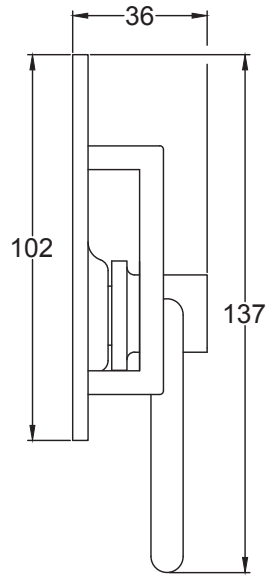
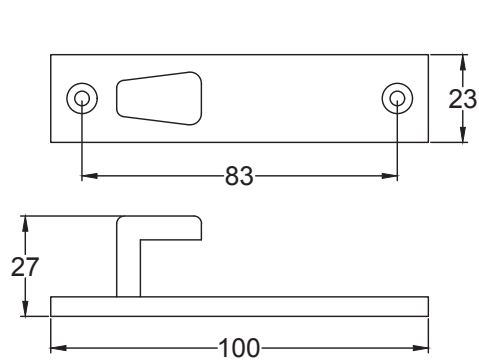


1. Tudor Cottage Gate Latch Right Hand.
2. Tudor Cottage Gate Latch Left Hand.
3. Handing Instructions.



Web: [www.suffolklatchcompany.co.uk](http://www.suffolklatchcompany.co.uk)  
 Email: [info@suffolklatchcompany.co.uk](mailto:info@suffolklatchcompany.co.uk)  
 Tel: 01787 277277

Suffolk Latch Company Ltd  
 Unit B  
 Clare  
 Suffolk  
 CO10 8QD

Scale: 1:2

SKU: UK-TC570RH

Date: 16/08/2019

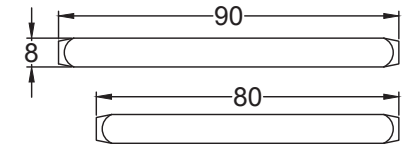
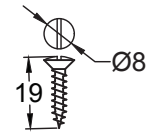
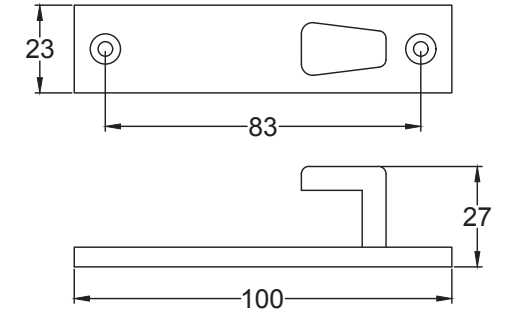
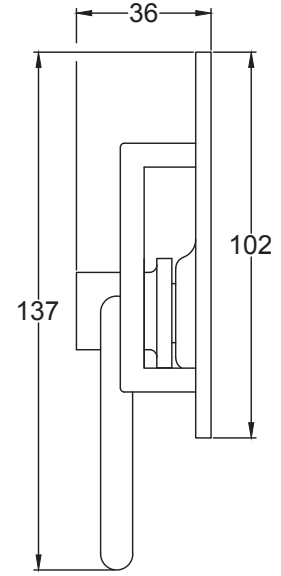
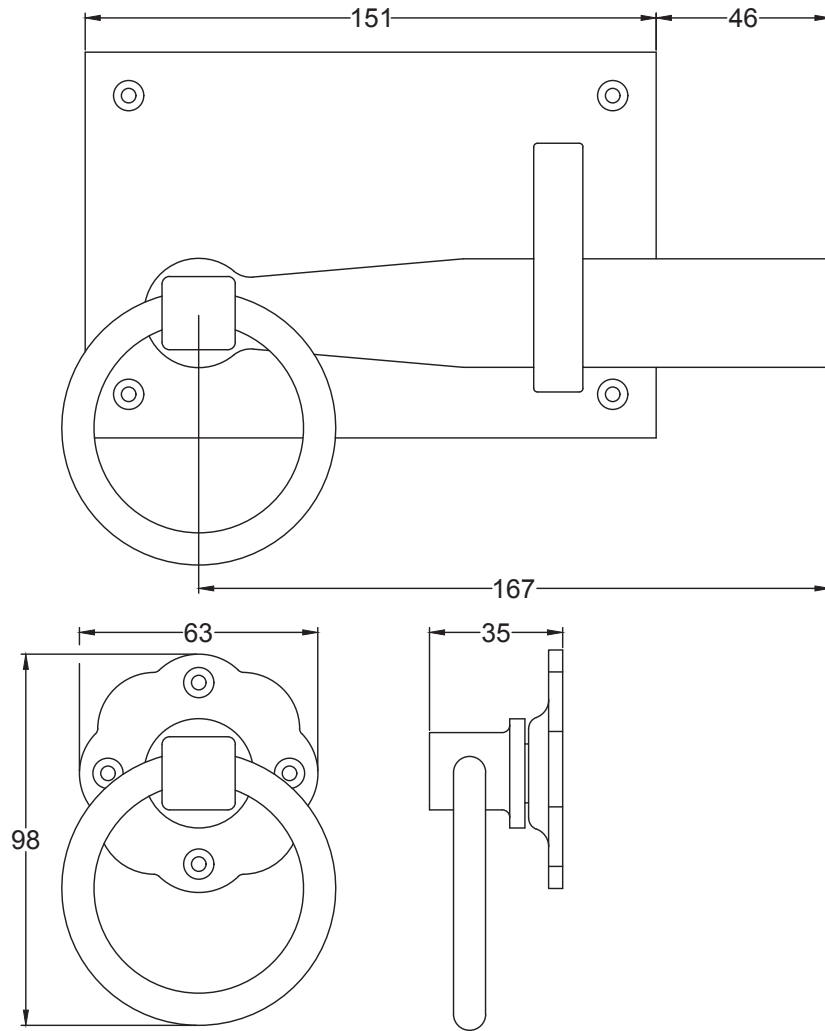
Drawn By: Carl Benson

Product Name: Tudor Gate Latch Right Hand

Material / Colour: Cast Iron, UV Resistant Black Powder Coat

Pack Content: 1 x Latch, 1 x Keeper, 1 x Latch Bar, 2 x Mortise Bars & 10 x Dome Head Slotted Stainless Steel Wood Screws..

**Suffolk Latch Co**  
[suffolklatchcompany.co.uk](http://suffolklatchcompany.co.uk)



Web: [www.suffolklatchcompany.co.uk](http://www.suffolklatchcompany.co.uk)  
 Email: [info@suffolklatchcompany.co.uk](mailto:info@suffolklatchcompany.co.uk)  
 Tel: 01787 277277

Suffolk Latch Company Ltd  
 Unit B  
 Clare  
 Suffolk  
 CO10 8QD

Scale: 1:2

SKU: UK-TC570LH

Date: 16/08/2019

Drawn By: Carl Benson

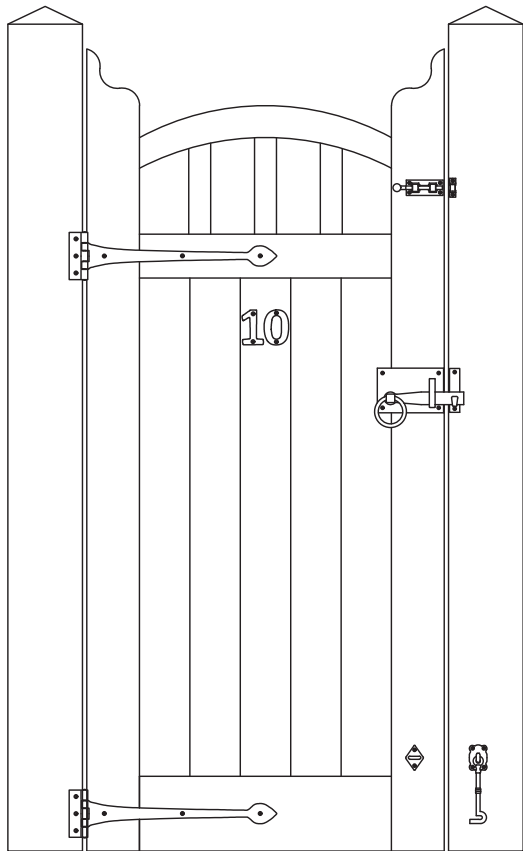
Product Name: Tudor Gate Latch Left Hand

Material / Colour: Cast Iron, UV Resistant Black Powder Coat

Pack Content: 1 x Latch, 1 x Keeper, 1 x Latch Bar, 2 x Mortise Bars & 10 x Dome Head Slotted Stainless Steel Wood Screws..

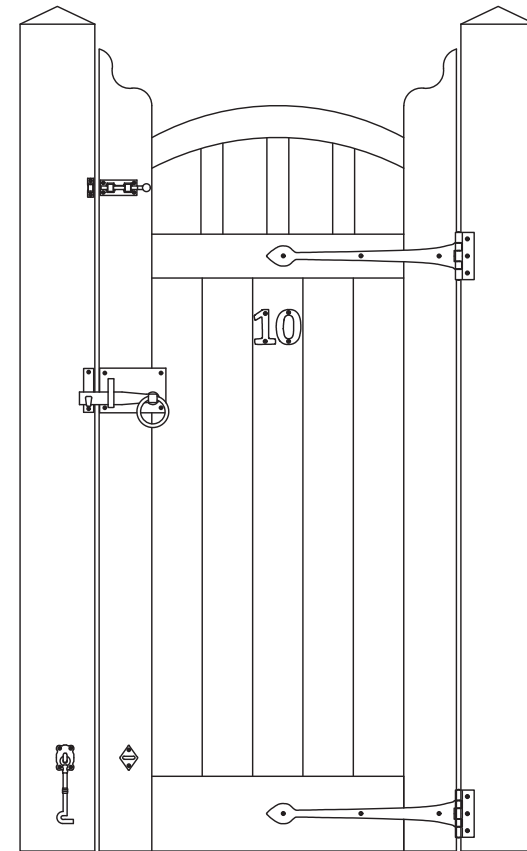
**Suffolk Latch Co**  
[suffolklatchcompany.co.uk](http://suffolklatchcompany.co.uk)

If you are facing the gate and it is hinged on the left hand side and it opens towards you, then you will require the left hand latch.



Left Hand Latch

If you are facing the gate and it is hinged on the right hand side and it opens towards you, then you will require the right hand latch.



Right Hand Latch

Web: [www.suffolklatchcompany.co.uk](http://www.suffolklatchcompany.co.uk)  
 Email: [info@suffolklatchcompany.co.uk](mailto:info@suffolklatchcompany.co.uk)  
 Tel: 01787 277277

Suffolk Latch Company Ltd  
 Unit B  
 Clare  
 Suffolk  
 CO10 8QD

Scale: N/A

SKU: N/A

Date: 30/08/2019

Drawn By: Carl Benson

Handing instructions for Tudor cast iron cottage latches.

**Suffolk Latch Co**  
[suffolklatchcompany.co.uk](http://suffolklatchcompany.co.uk)