

Web: www.suffolklatchcompany.co.uk
 Email: info@suffolklatchcompany.co.uk
 Tel: 01787 277277

Suffolk Latch Company Ltd
 Unit B
 Clare
 Suffolk
 CO10 8QD

Scale: 1:2

SKU: HANSQ01

Date: 23/03/2015

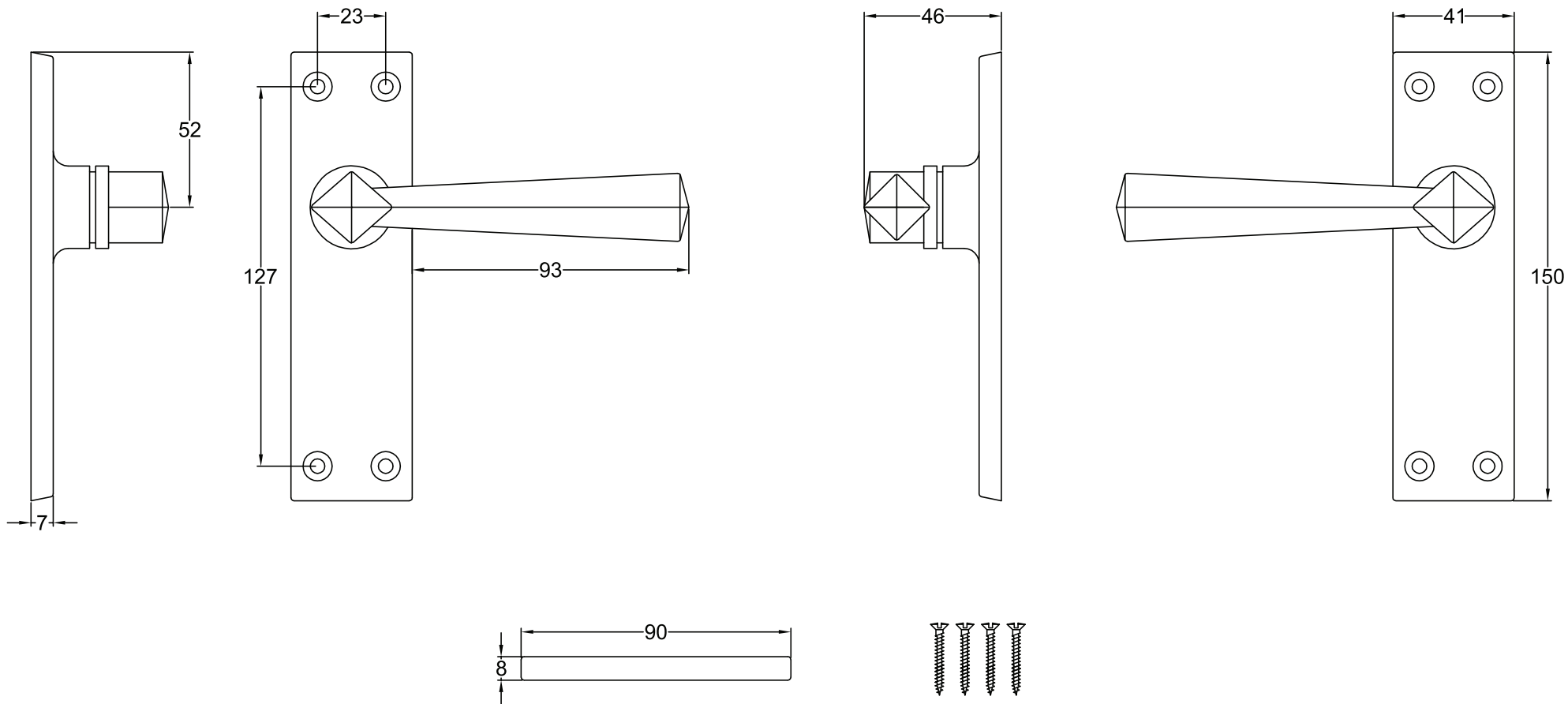
Drawn By: Carl Benson

Product Name: Straight Lever Lock Handle.

Material / Colour: Cast Iron, Black Epoxy Finish.

Pack Content: 2 x Handle (Left & Right) 1 x Mortice Bar 4 x No6 x 1"
 Countersunk Wood Screws.

Suffolk Latch Co
suffolklatchcompany.co.uk



Web: www.suffolklatchcompany.co.uk
 Email: info@suffolklatchcompany.co.uk
 Tel: 01787 277277

Suffolk Latch Company Ltd
 Unit B
 Clare
 Suffolk
 CO10 8QD

Scale: 1:2

SKU: HANSQ2

Date: 19/03/2015

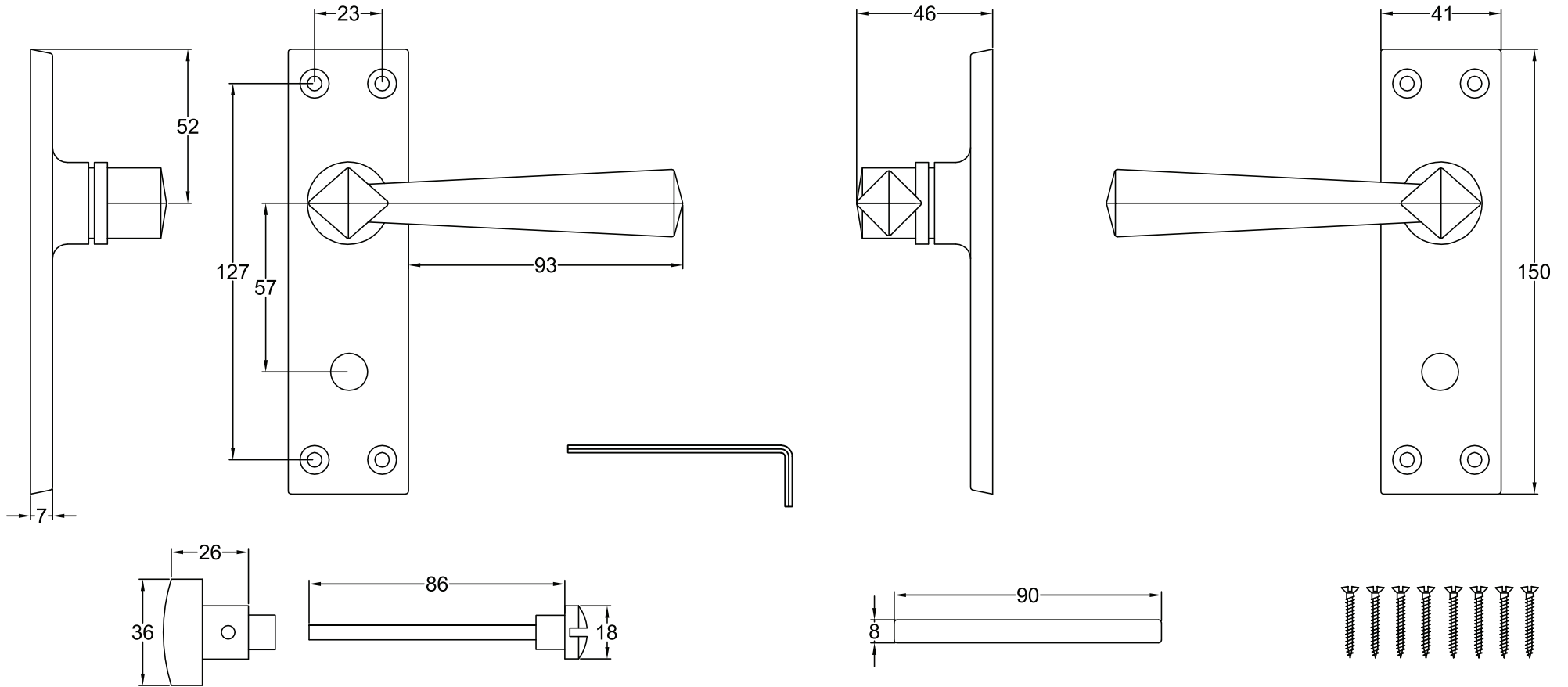
Drawn By: Carl Benson

Product Name: Straight Lever Handle.

Material / Colour: Cast Iron, Black Epoxy Finish.

Pack Content: 2 x Handle (Left & Right) 1 x Mortice Bar 4 x No6 x 1" Countersunk Wood Screws.

Suffolk Latch Co
suffolklatchcompany.co.uk



Web: www.suffolklatchcompany.co.uk
 Email: info@suffolklatchcompany.co.uk
 Tel: 01787 277277

Suffolk Latch Company Ltd
 Unit B
 Clare
 Suffolk
 CO10 8QD

Scale: 1:2

SKU: HANSQ3

Date: 23/03/2015

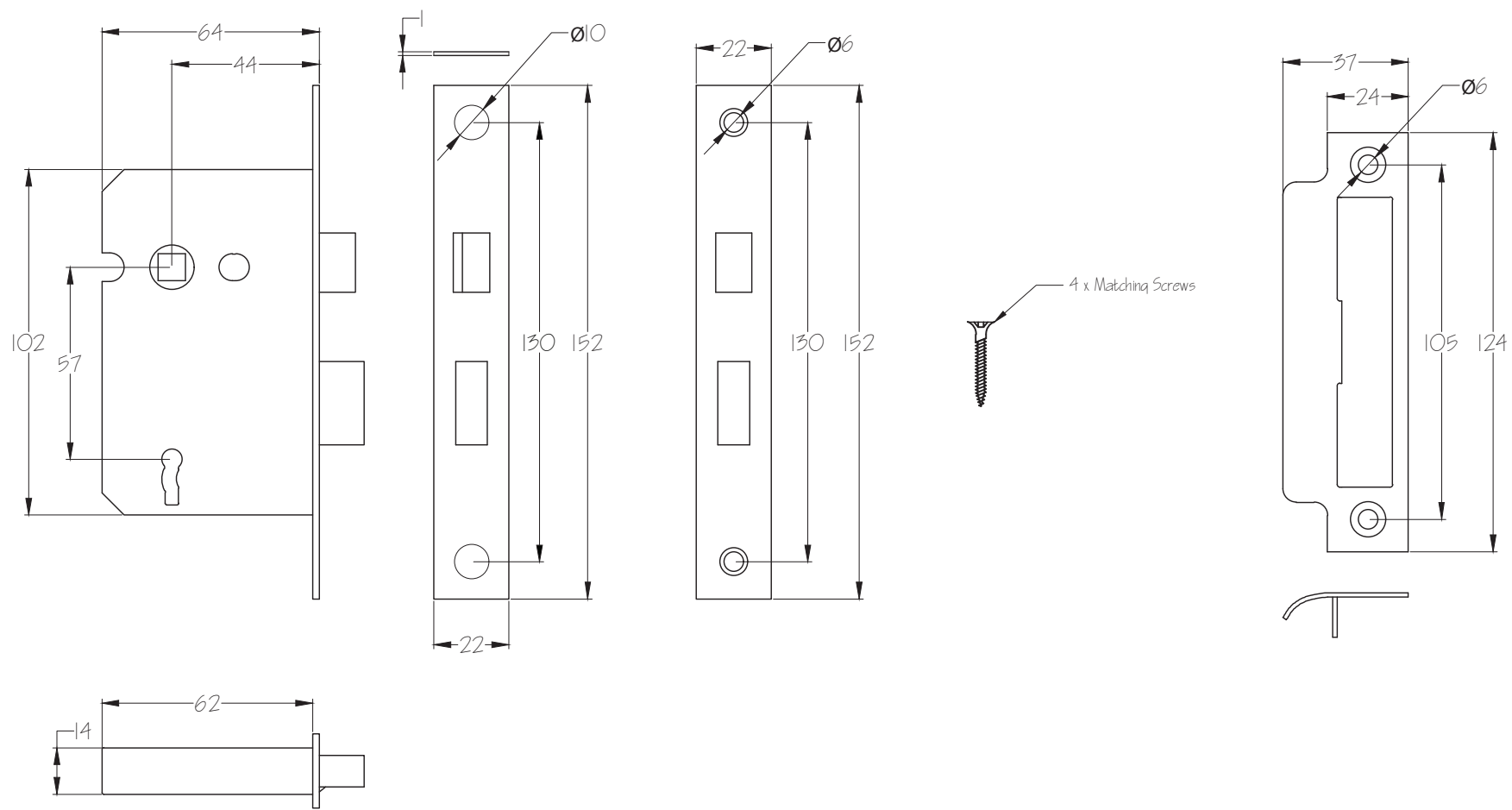
Drawn By: Carl Benson

Product Name: Straight Lever Bathroom Handle.

Material / Colour: Cast Iron, Black Epoxy Finish.

Pack Content: 2 x Handle (Left & Right) 1 x Mortice Bar 4 x No6 x 1" Countersunk Wood Screws, 1 x Turn Lock, 1 x Allen Key.

Suffolk Latch Co
suffolklatchcompany.co.uk



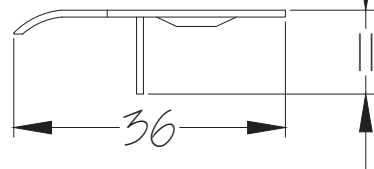
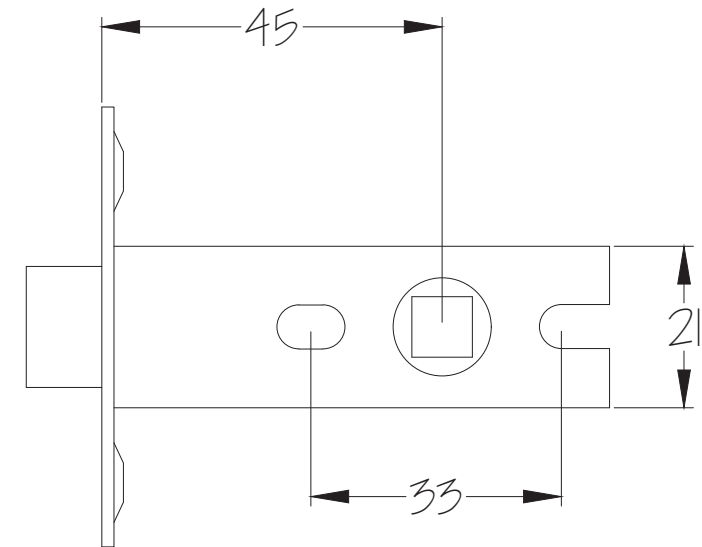
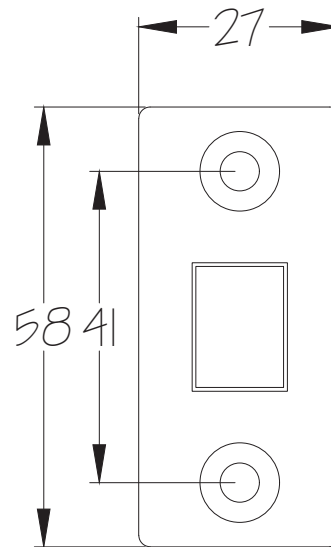
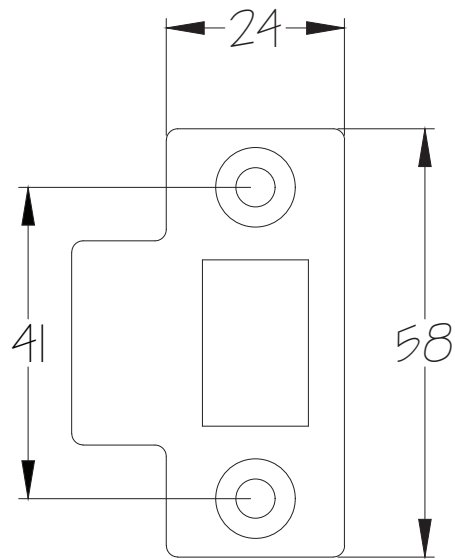
Web: www.suffolklatchcompany.co.uk
 Email: info@suffolklatchcompany.co.uk
 Tel: 01787 277277

Suffolk Latch Company Ltd
 Unit B
 Clare
 Suffolk
 CO10 8QD

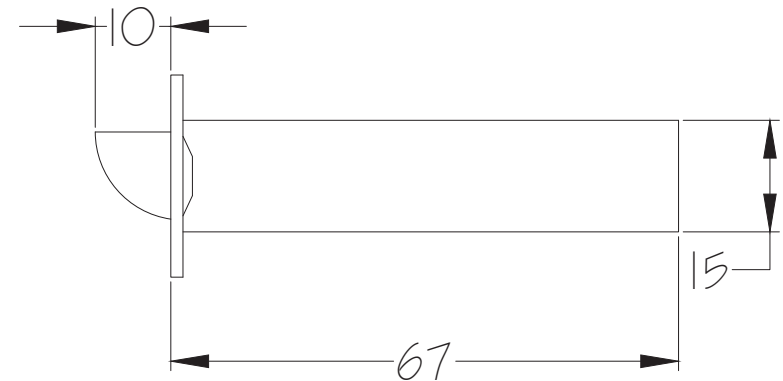
Scale: 1:2
 SKU: LAL1450-EXB-2.5
 Date: 29/08/2018
 Drawn By: Carl Benson

Product Name: Epoxy Black Sashlock 2.5 Inch Fire Rated CE11Z1
 Material / Colour: Mild Steel with Epoxy Black Forends.
 Pack Content: 1 x Sashlock, Keeper, Separate Forend, 2 x Keys & Matching Screws.





4 x Matching Screws



Web: www.suffolklatchcompany.co.uk
 Email: info@suffolklatchcompany.co.uk
 Tel: 01787 277277

Suffolk Latch Company Ltd
 Unit B
 Clare
 Suffolk
 CO10 8QP

Scale: 1:1

SKU: LAL0081-EXB-2.5

Date: 30/08/2018

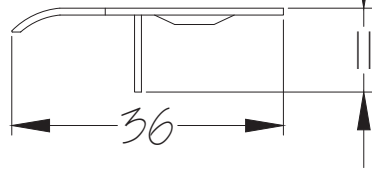
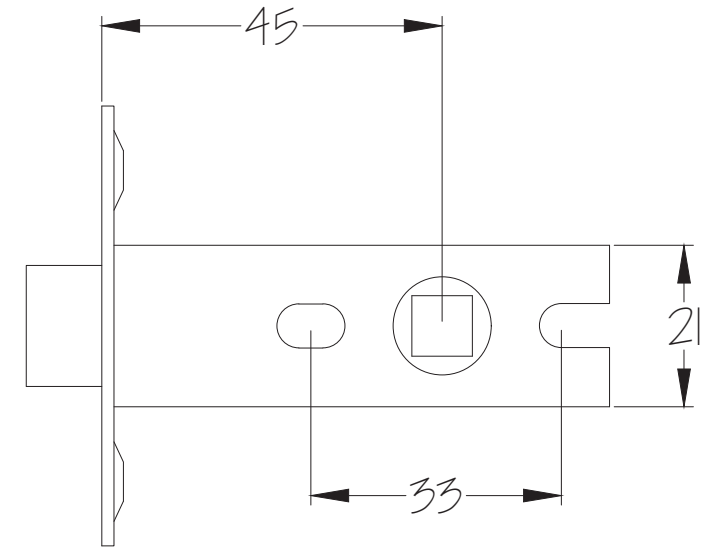
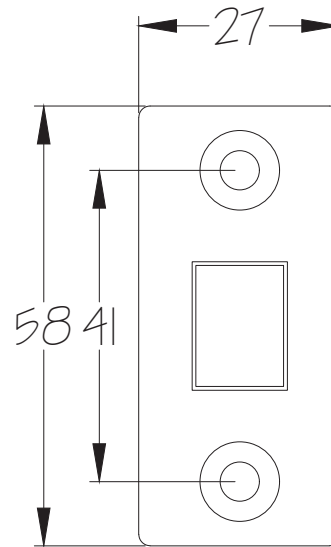
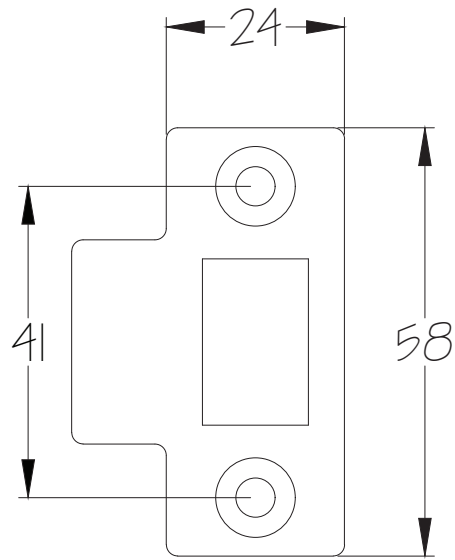
Drawn By: Carl Benson

Product Name: Bolt Through Tubular Latch 2.5 Inch Fire Rated CEI121

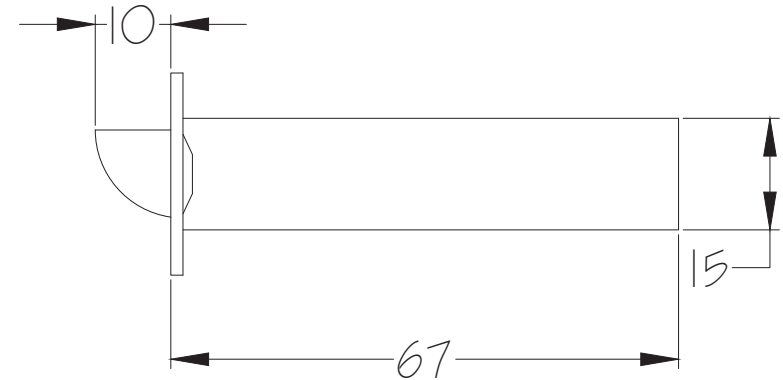
Material / Colour: Mild Steel with Black Forend

Pack Content: 1 x Tubular Latch, 1 x Keeper, 4 x wood screws.

Suffolk Latch Co
suffolklatchcompany.co.uk



4 x Matching Screws



Web: www.suffolklatchcompany.co.uk
 Email: info@suffolklatchcompany.co.uk
 Tel: 01787 277277

Suffolk Latch Company Ltd
 Unit B
 Clare
 Suffolk
 CO10 8QP

Scale: 1:1

SKU: LAL0081-EXB-2.5

Date: 30/08/2018

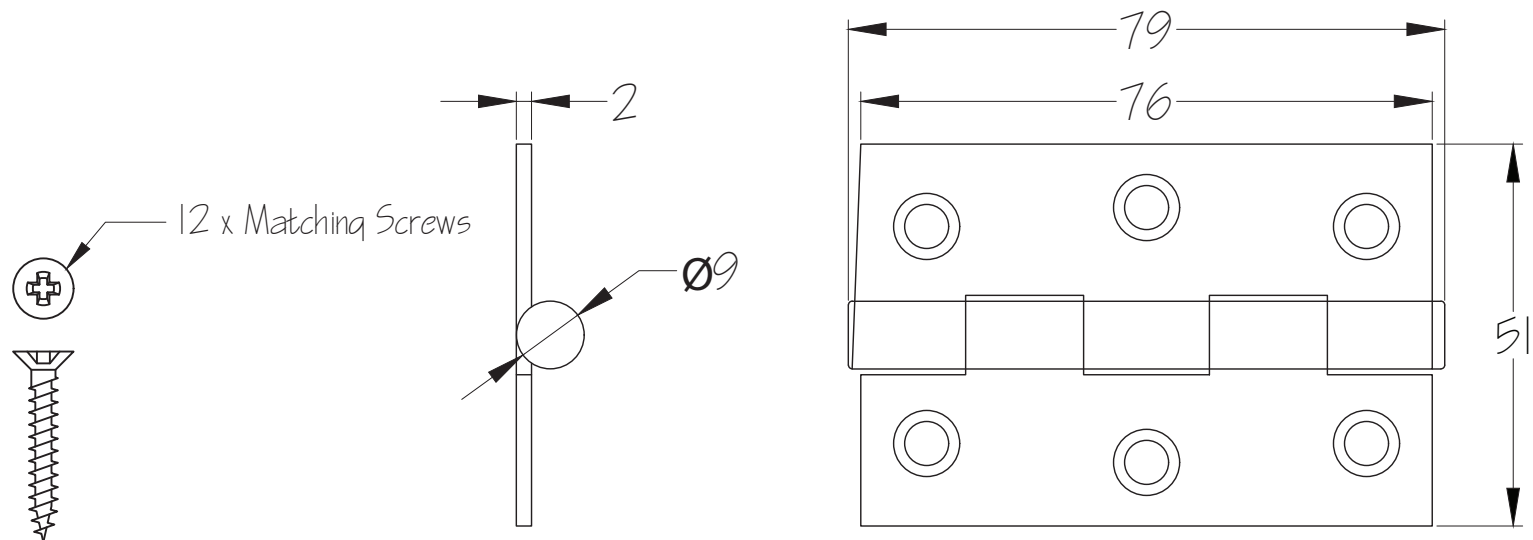
Drawn By: Carl Benson

Product Name: Bolt Through Tubular Latch 2.5 Inch Fire Rated CE1121

Material / Colour: Mild Steel with Black Forend

Pack Content: 1 x Tubular Latch, 1 x Keeper, 4 x wood screws.

Suffolk Latch Co
suffolklatchcompany.co.uk



Web: www.suffolklatchcompany.co.uk
 Email: info@suffolklatchcompany.co.uk
 Tel: 01787 277277

Suffolk Latch Company Ltd
 Unit B
 Clare
 Suffolk
 CO10 8QP

Scale: 1:1

SKU: 2020BT-VB-3

Date: 01/09/2018

Drawn By: Carl Benson

Product Name: 4 Inch Steel Butt hinge, Button Tip, Velvet Black, Fire Rated CE1121.

Material / Colour: Steel With Velvet Black Finish.

Pack Content: 2 x Hinges 12 x Matching Screws..

Suffolk Latch Co
suffolklatchcompany.co.uk