

Web: [www.suffolkatchcompany.co.uk](http://www.suffolkatchcompany.co.uk)  
 Email: [info@suffolkatchcompany.co.uk](mailto:info@suffolkatchcompany.co.uk)  
 Tel: 01787 277277

Suffolk Latch Company Ltd  
 Unit B  
 Clare  
 Suffolk  
 CO10 8QD

Scale: 1:1

SKU: UK-FB159

Date: 04/03/2020

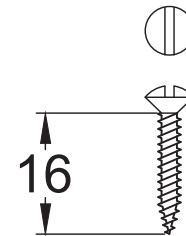
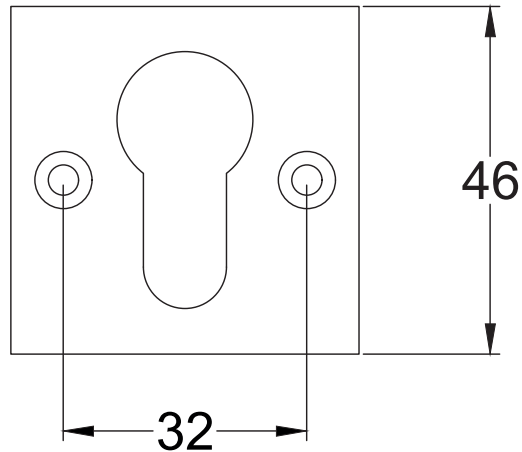
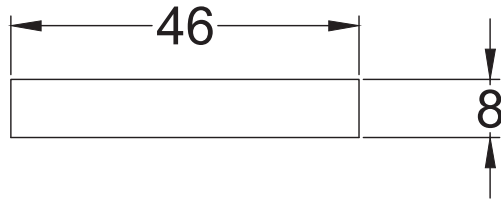
Drawn By: Carl Benson

Product Name: BS Square Key Escutcheon.

Material / Colour: Cast Iron / Black Powder Coated

Pack Content: 1 x Escutcheon and 2 x Matching Fixings.

**Suffolk Latch Co**  
[suffolkatchcompany.co.uk](http://suffolkatchcompany.co.uk)



Web: [www.suffolkatchcompany.co.uk](http://www.suffolkatchcompany.co.uk)  
 Email: [info@suffolkatchcompany.co.uk](mailto:info@suffolkatchcompany.co.uk)  
 Tel: 01787 277277

Suffolk Latch Company Ltd  
 Unit B  
 Clare  
 Suffolk  
 CO10 8QD

Scale: 1:1

SKU: UK-FB158

Date: 04/03/2020

Drawn By: Carl Benson

Product Name: Euro Profile Square Key Escutcheon.

Material / Colour: Cast Iron / Black Powder Coated

Pack Content: 1 x Escutcheon and 2 x Matching Fixings.

**Suffolk Latch Co**  
[suffolkatchcompany.co.uk](http://suffolkatchcompany.co.uk)