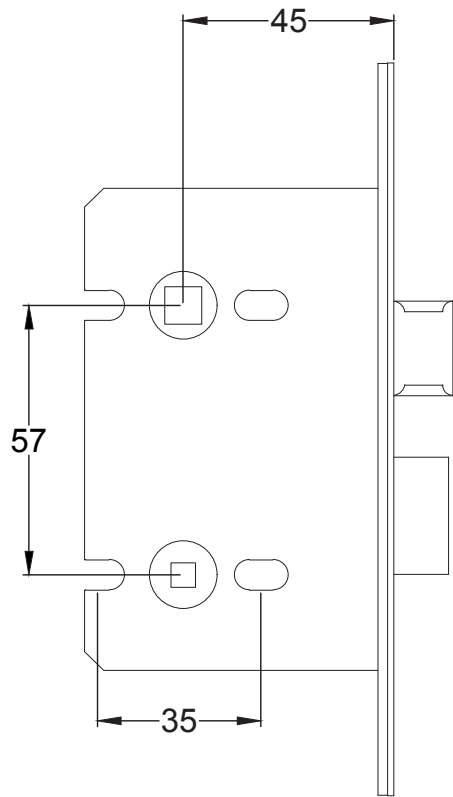
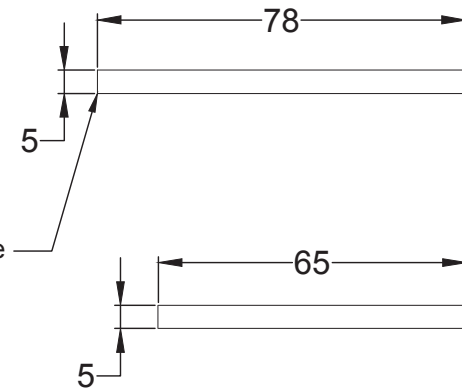
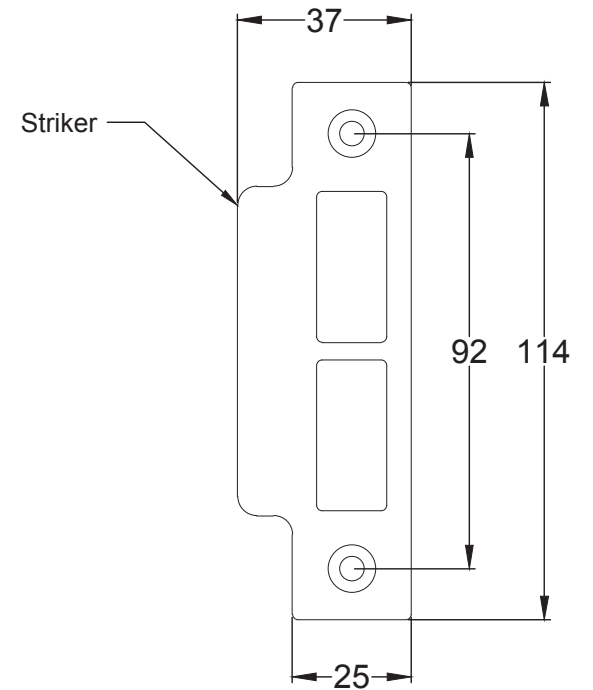
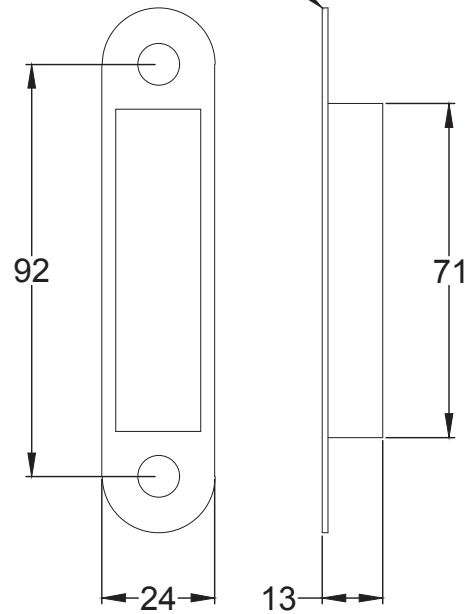
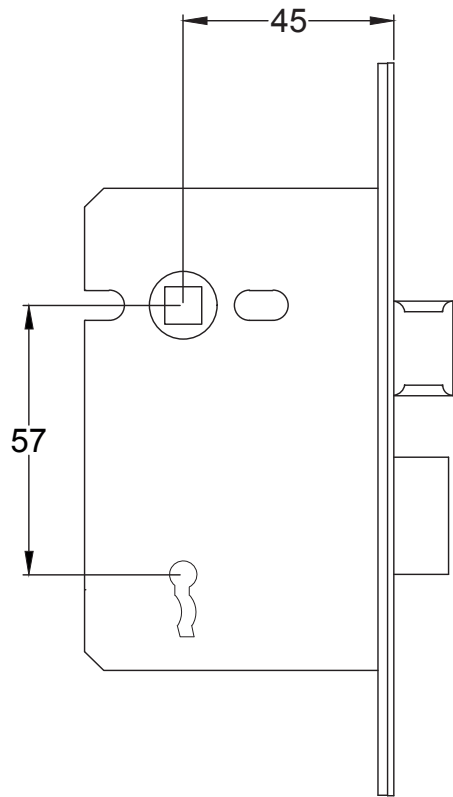
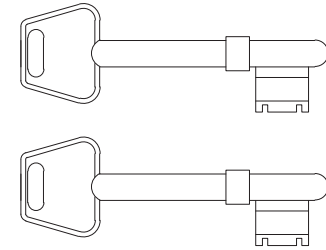
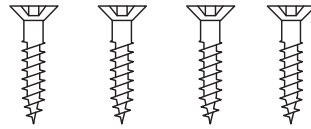
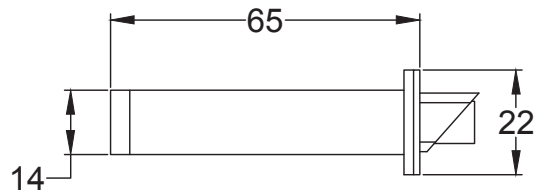


Mortice Bar 5mm Square

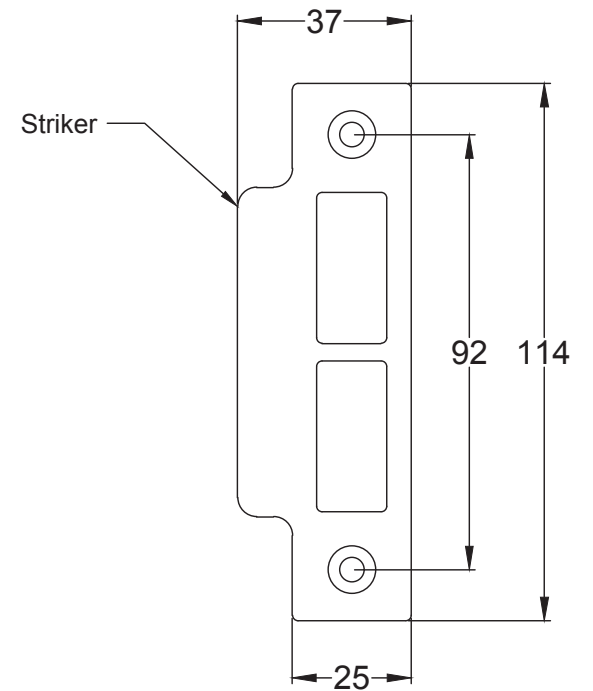
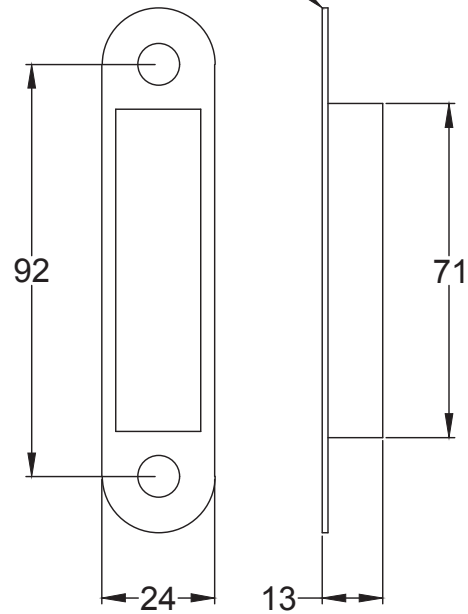


Black Plastic Dust Box

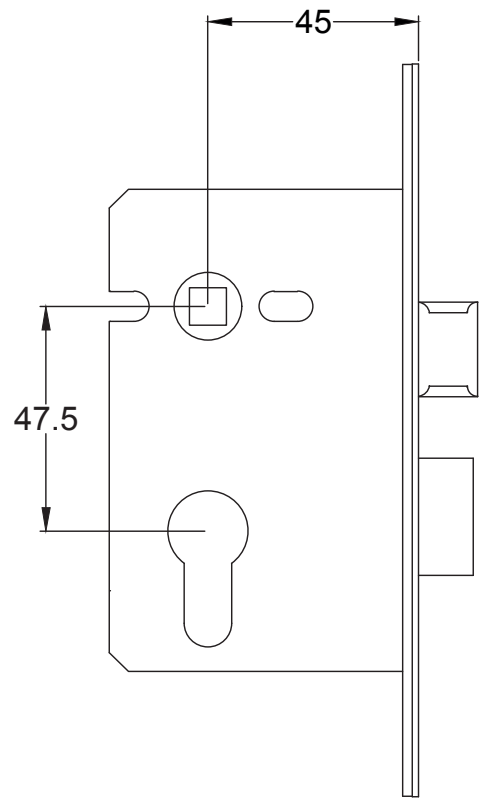
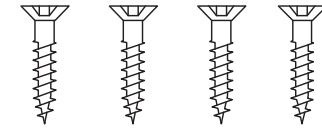
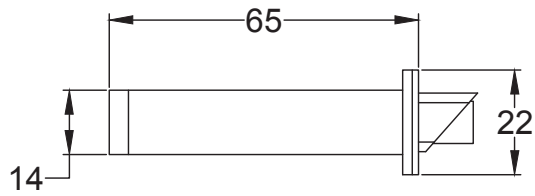




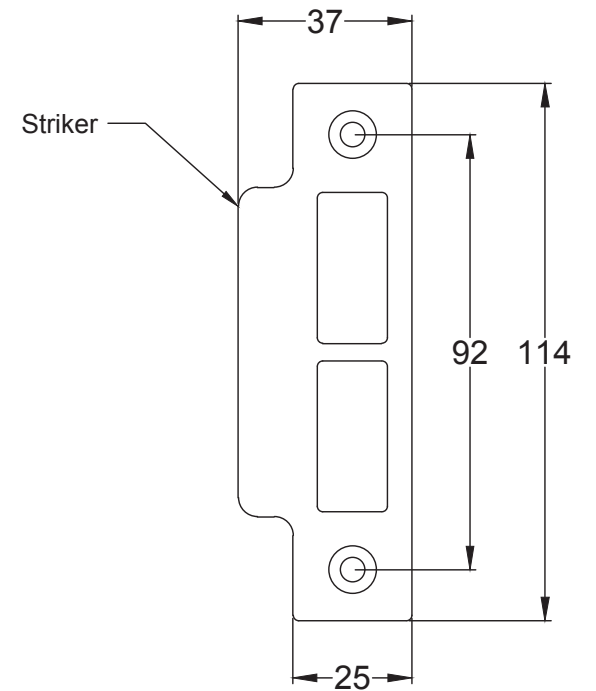
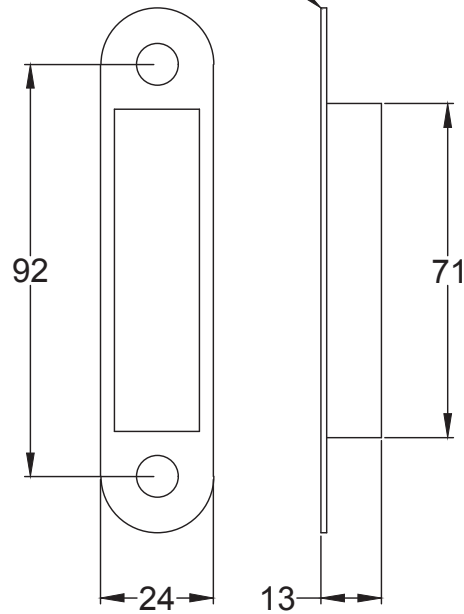
Black Plastic Dust Box



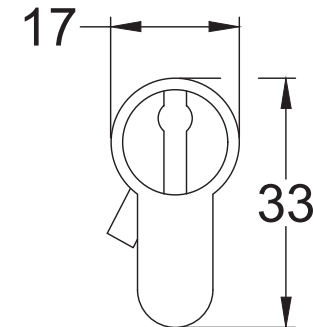
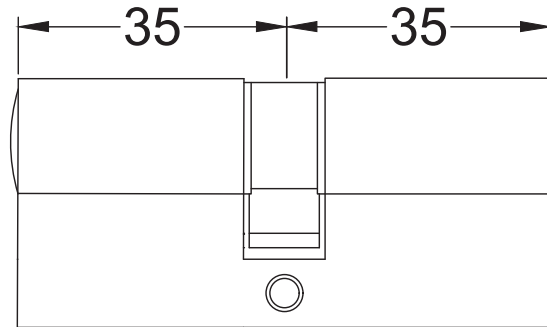
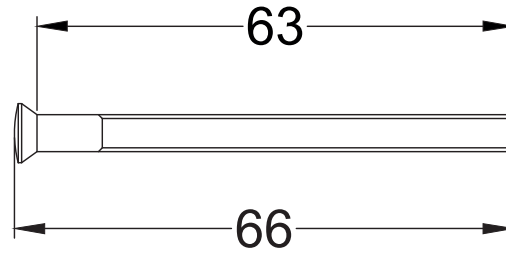
Striker



Black Plastic Dust Box



Striker



Web: www.suffolkatchcompany.co.uk
 Email: info@suffolkatchcompany.co.uk
 Tel: 01787 277277

Suffolk Latch Company Ltd
 Unit B
 Clare
 Suffolk
 CO10 8QD

Scale: 1:1

SKU: UK-YKCSLE29.CE

Date: 25/01/2019

Drawn By: Carl Benson

Product Name: Euro Sash Lock Body 35 x 35mm

Material / Colour: Stainless Steel/Chrome Finish

Pack Content 1; 1 x Euro Profile Cylinder, 1 x Fixing Bolt, 3 x Spare Keys.

Suffolk Latch Co
suffolkatchcompany.co.uk

