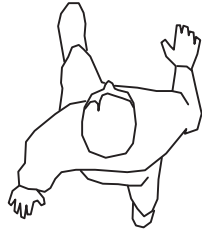
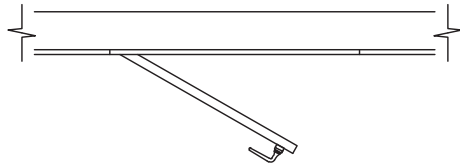


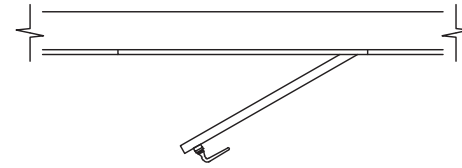
Index

Handing Guide	2
Arundel Sprung	3
Cotswold Sprund	4
Padstow Sprung	5
Curl Left Hand Sprung	6
Curl Right Hand Sprung	7

Right hand opening door

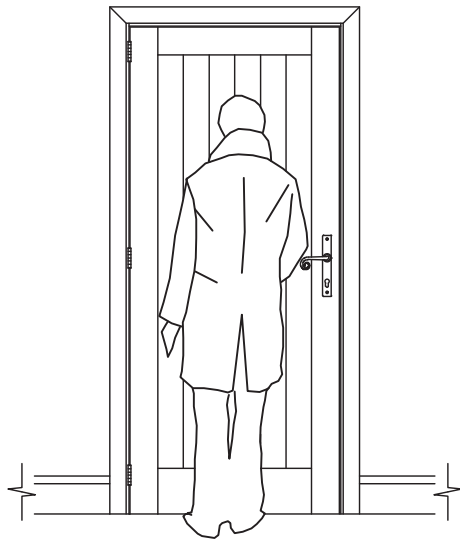


Left hand opening door

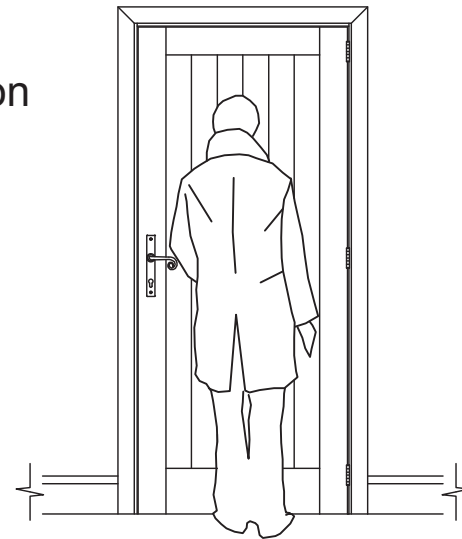


Please note that this handing guide only applies to the multipoint curl lever handles.

All other handles in this collection will work on both left and right hand opening doors.



Product code for right UK-FB1050R



Product code for left UK-FB1050L

Web: www.suffolkatchcompany.co.uk
Email: info@suffolkatchcompany.co.uk
Tel: 01787 277277

Suffolk Latch Company Ltd
Unit B
Clare
Suffolk
CO10 8QD

Scale: 1:30

SKU: UK-FB1050R/L

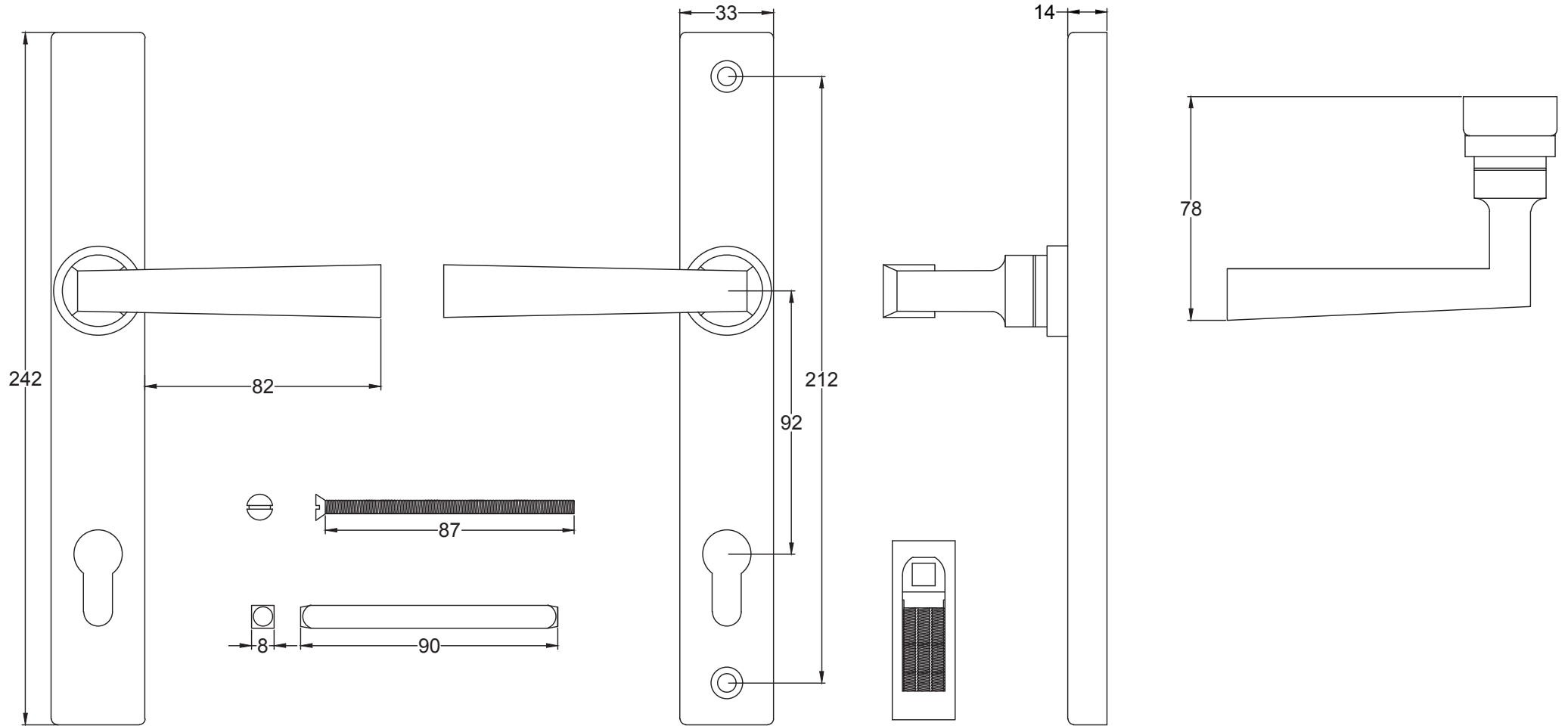
Date: 10/05/2020

Drawn By: Carl Benson

For doors opening into the room and hung on the left hand side of the frame choose the right hand handle (UK-FB1050R)

For doors opening into the room and hung on the right hand side of the frame choose the left hand handle (UK-FB1050L)





Web: www.suffolkatchcompany.co.uk
 Email: info@suffolkatchcompany.co.uk
 Tel: 01787 277277

Suffolk Latch Company Ltd
 Unit B, Bridewell Ind Est
 Clare
 Suffolk
 CO10 8QD

Scale: 1:2

SKU: UKF-FB1126

Date: 18/11/2019

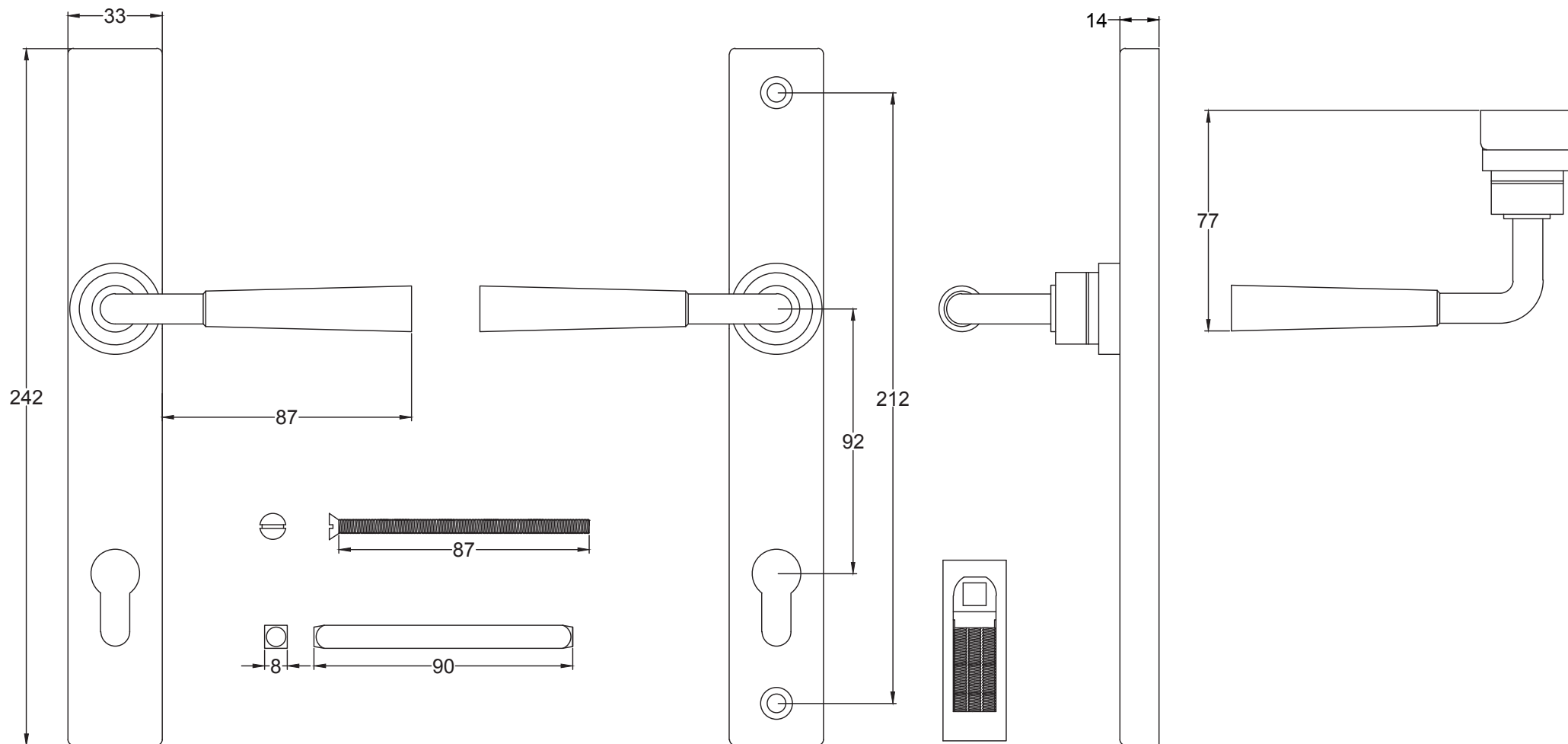
Drawn By: Carl Benson

Product Name : Arundel Multipoint Entry Sprung Black.

Material / Colour: Flat Black/Drop Forged Steel.

Pack Content: 1 x Pair of Handles, 1 x Mortice Bar, 2 x Bolt Through Fixings, 2 x Sprung Cassetts.

Suffolk Latch Co
suffolkatchcompany.co.uk



Web: www.suffolkatchcompany.co.uk
 Email: info@suffolkatchcompany.co.uk
 Tel: 01787 277277

Suffolk Latch Company Ltd
 Unit B, Bridewell Ind Est
 Clare
 Suffolk
 CO10 8QD

Scale: 1:2

SKU: FB1116

Date: 18/11/2019

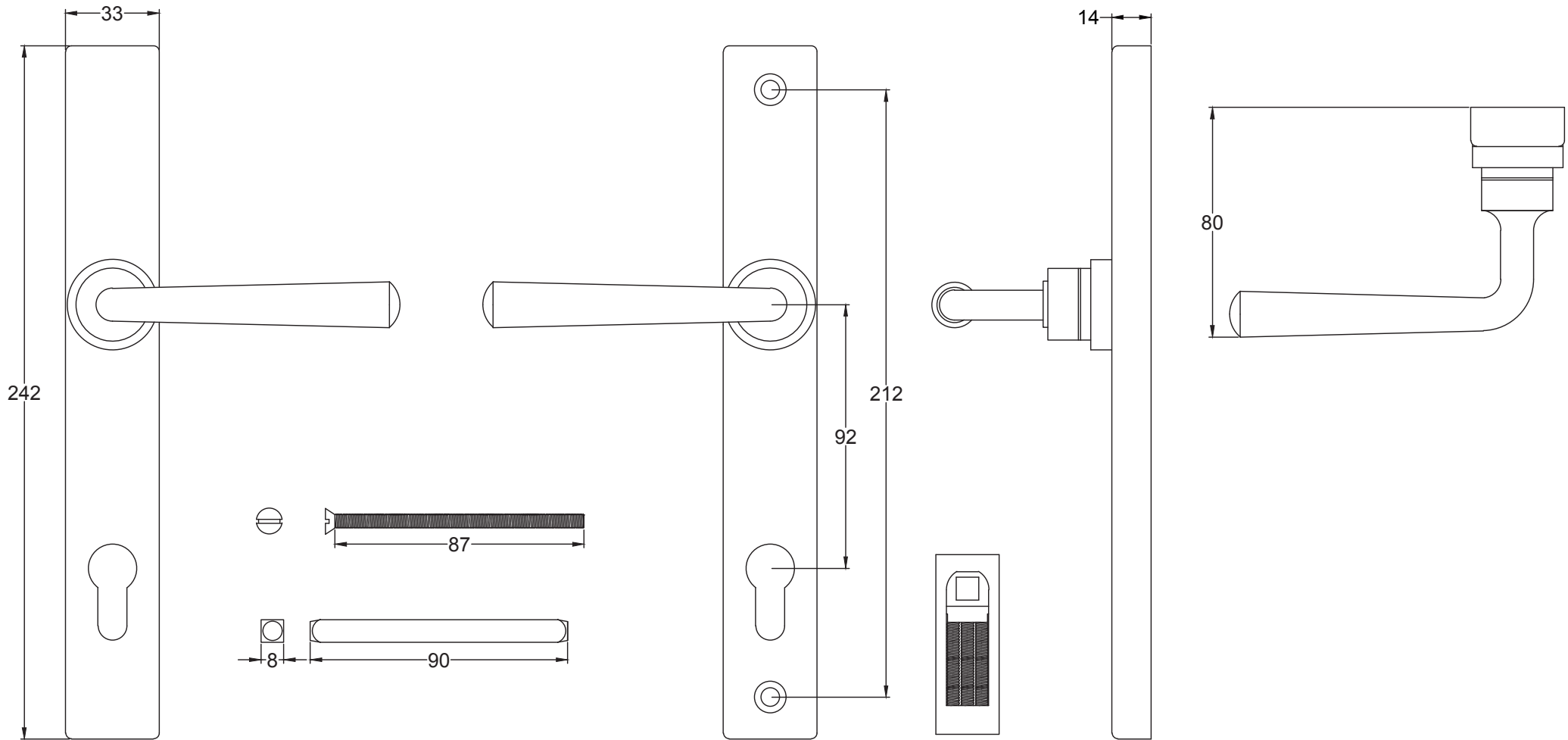
Drawn By: Carl Benson

Product Name :Cotswold Multipoint Entry Sprung Black.

Material / Colour: Flat Black/Drop Forged Steel.

Pack Content: 1 x Pair of Handles, 1 x Mortice Bar, 2 x Bolt Through Fixings & 2 x Sprung Cassetts.

Suffolk Latch Co
suffolkatchcompany.co.uk



Web: www.suffolklatchcompany.co.uk
 Email: info@suffolklatchcompany.co.uk
 Tel: 01787 277277

Suffolk Latch Company Ltd
 Unit B, Bridewell Ind Est
 Clare
 Suffolk
 CO10 8QD

Scale: 1:2

SKU: UKF-FB1306

Date: 18/11/2019

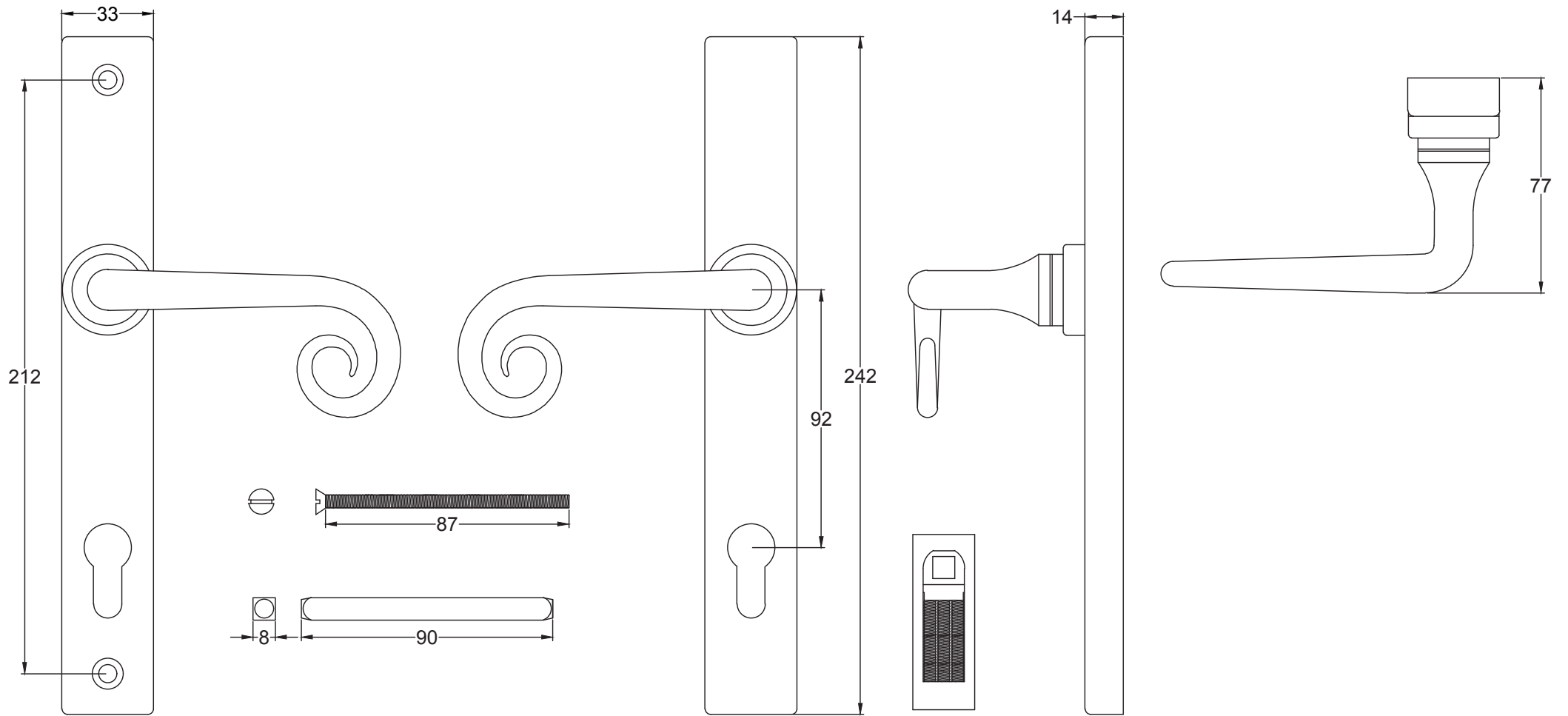
Drawn By: Carl Benson

Product Name :Padstow Multipoint Entry 92mm Sprung.

Material / Colour: Flat Black/Drop Forged Steel.

Pack Content: 1 x Pair of Handles, 1 x Mortice Bar, 2 x Bolt Through Fixings & 2 x Sprung Cassetts.

Suffolk Latch Co
suffolklatchcompany.co.uk



Web: www.suffolklatchcompany.co.uk
 Email: info@suffolklatchcompany.co.uk
 Tel: 01787 277277

Suffolk Latch Company Ltd
 Unit B, Bridewell Ind Est
 Clare
 Suffolk
 CO10 8QD

Scale: 1:2

SKU: UKF-FB1050L

Date: 18/11/2019

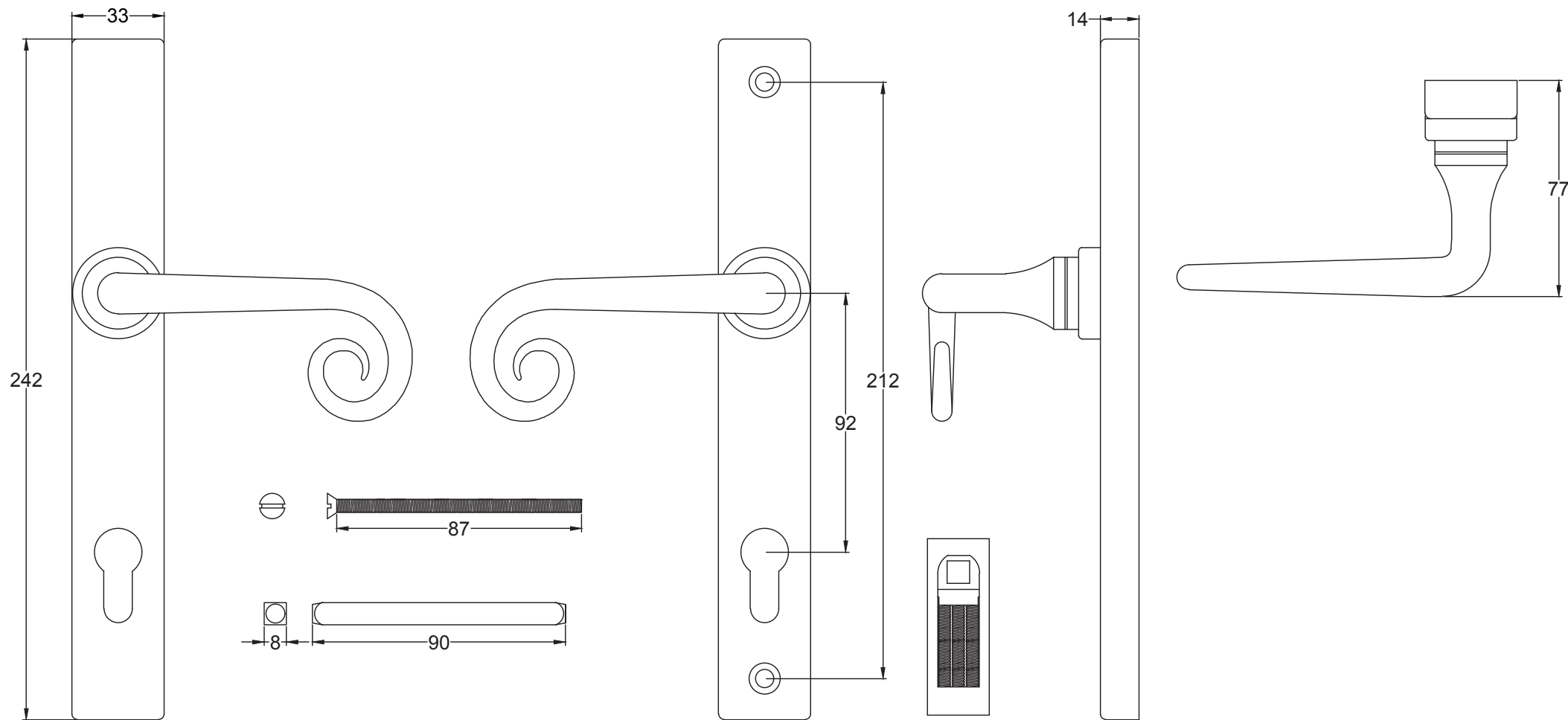
Drawn By: Carl Benson

Product Name :Curl Multipoint Entry Sprung Entry Left Hand.

Material / Colour: Flat Black/Drop Forged Steel.

Pack Content: 1 x Pair of Handles, 1 x Mortice Bar, 2 x Bolt Through Fixings & 2 x Spring Cassettes.

Suffolk Latch Co
suffolklatchcompany.co.uk



Web: www.suffolklatchcompany.co.uk
 Email: info@suffolklatchcompany.co.uk
 Tel: 01787 277277

Suffolk Latch Company Ltd
 Unit B, Bridewell Ind Est
 Clare
 Suffolk
 CO10 8QD

Scale: 1:2

SKU: UKF-FB1050R

Date: 18/11/2019

Drawn By: Carl Benson

Product Name :Curl Multipoint Entry Sprung Entry Right Hand.

Material / Colour: Flat Black/Drop Forged Steel.

Pack Content: 1 x Pair of Handles, 1 x Mortice Bar, 2 x Bolt Through Fixings & 2 x Spring Cassettes.

Suffolk Latch Co
suffolklatchcompany.co.uk