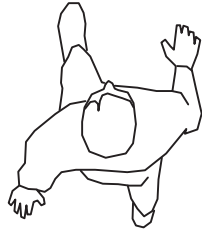
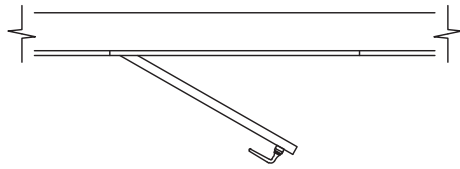


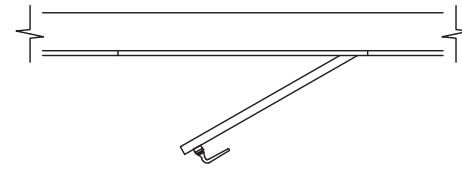
# Index

Handing Guide	2	Curl Entry Left	12
Arundel Entry	3	Curl Entry Right	13
Arundel Passage	4	Curl Passage Left	14
Arundel Passage	5	Curl Passage Right	15
Cotswold Entry	6	Curl Patio Left	16
Cotswold Passage	7	Curl Patio Right	17
Cotswold Patio	8		
Padstow Entry	9		
Padstow Passage	10		
Padstow Patio	11		

Right hand opening door

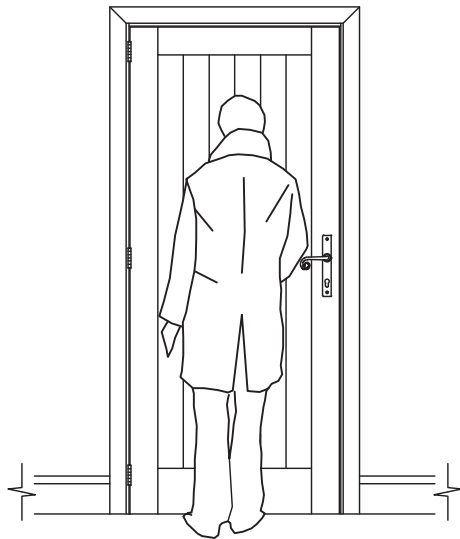


Left hand opening door



Please note that this handing guide only applies to multipoint curl lever handles.

All other handles in the collection will work on both left and right hand opening doors.



Product code for right end with R



Product code for left end with L

Web: [www.suffolklatchcompany.co.uk](http://www.suffolklatchcompany.co.uk)  
Email: [info@suffolklatchcompany.co.uk](mailto:info@suffolklatchcompany.co.uk)  
Tel: 01787 277277

Suffolk Latch Company Ltd  
Unit B  
Clare  
Suffolk  
CO10 8QD

Scale: 1:30

SKU: See Listing

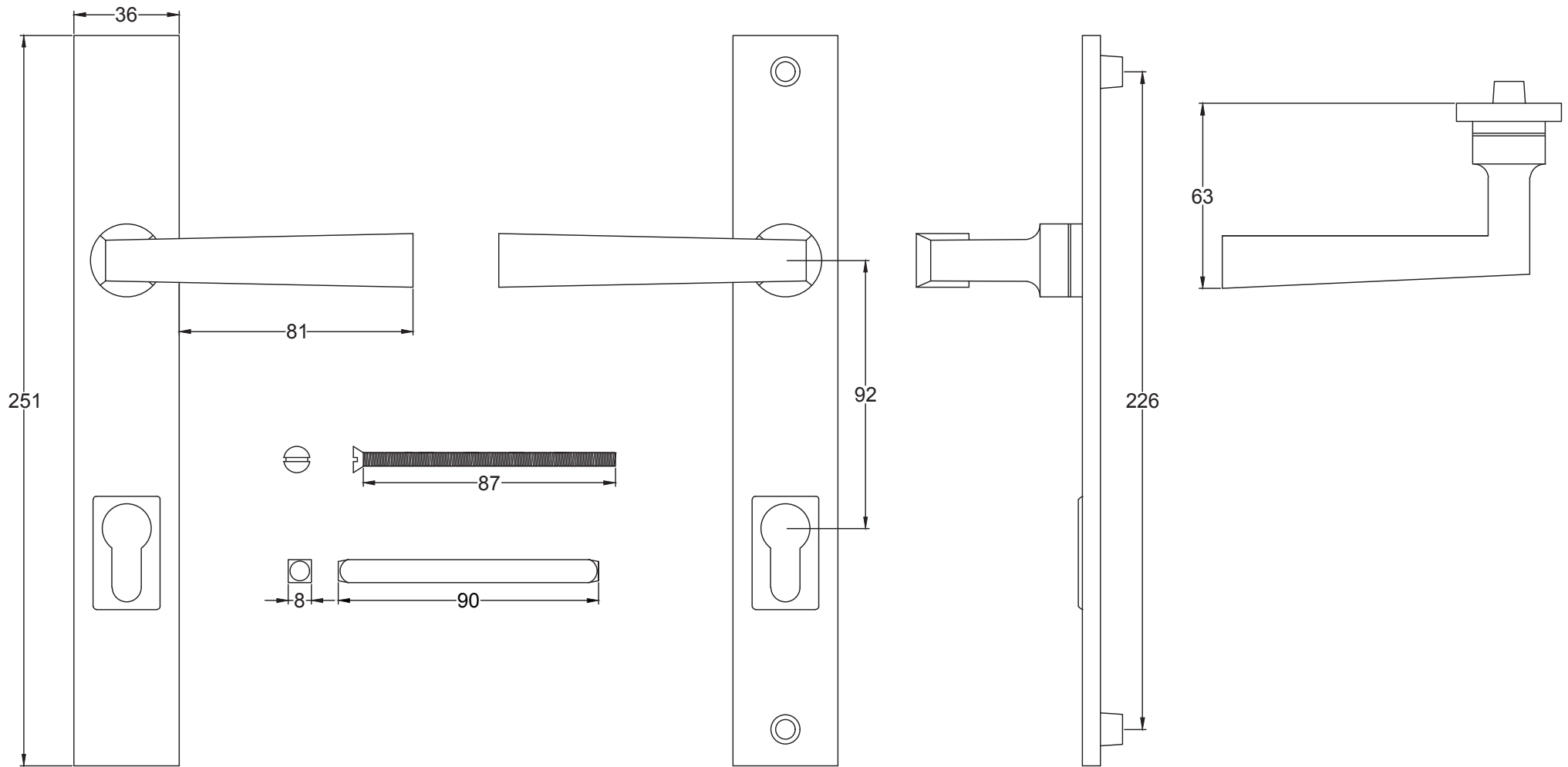
Date: 10/05/2020

Drawn By: Carl Benson

For doors opening into the room and hung on the left hand side of the frame choose the right hand handle (Use codes that end in R)

For doors opening into the room and hung on the right hand side of the frame choose the left hand handle (Use codes that end in L)

**Suffolk Latch Co**  
[suffolklatchcompany.co.uk](http://suffolklatchcompany.co.uk)



Web: [www.suffolkatchcompany.co.uk](http://www.suffolkatchcompany.co.uk)  
 Email: [info@suffolkatchcompany.co.uk](mailto:info@suffolkatchcompany.co.uk)  
 Tel: 01787 277277

Suffolk Latch Company Ltd  
 Unit B, Bridewell Ind Est  
 Clare  
 Suffolk  
 CO10 8QD

Scale: 1:2

SKU: UKS-FB1125

Date: 09/10/2019

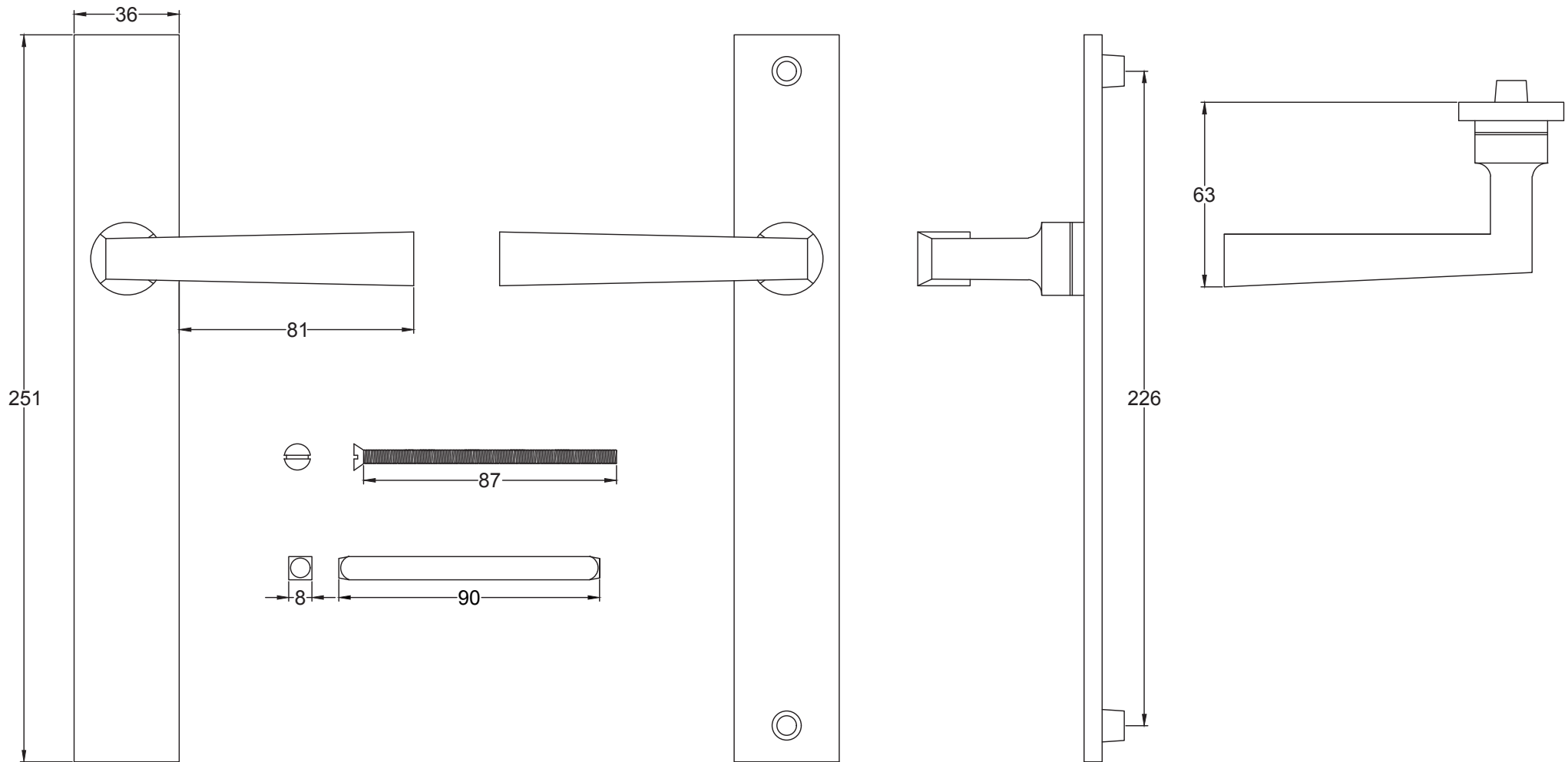
Drawn By: Carl Benson

Product Name : Arundel Multipoint Entry.

Material / Colour: Flat Black/Drop Forged Steel.

Pack Content: 1 x Pair of Handles, 1 x Mortice Bar, 2 x Bolt Through Fixings

**Suffolk Latch Co**  
[suffolkatchcompany.co.uk](http://suffolkatchcompany.co.uk)



Web: [www.suffolklatchcompany.co.uk](http://www.suffolklatchcompany.co.uk)  
 Email: [info@suffolklatchcompany.co.uk](mailto:info@suffolklatchcompany.co.uk)  
 Tel: 01787 277277

Suffolk Latch Company Ltd  
 Unit B, Bridewell Ind Est  
 Clare  
 Suffolk  
 CO10 8QD

Scale: 1:2

SKU: UKS-FB1128

Date: 09/10/2019

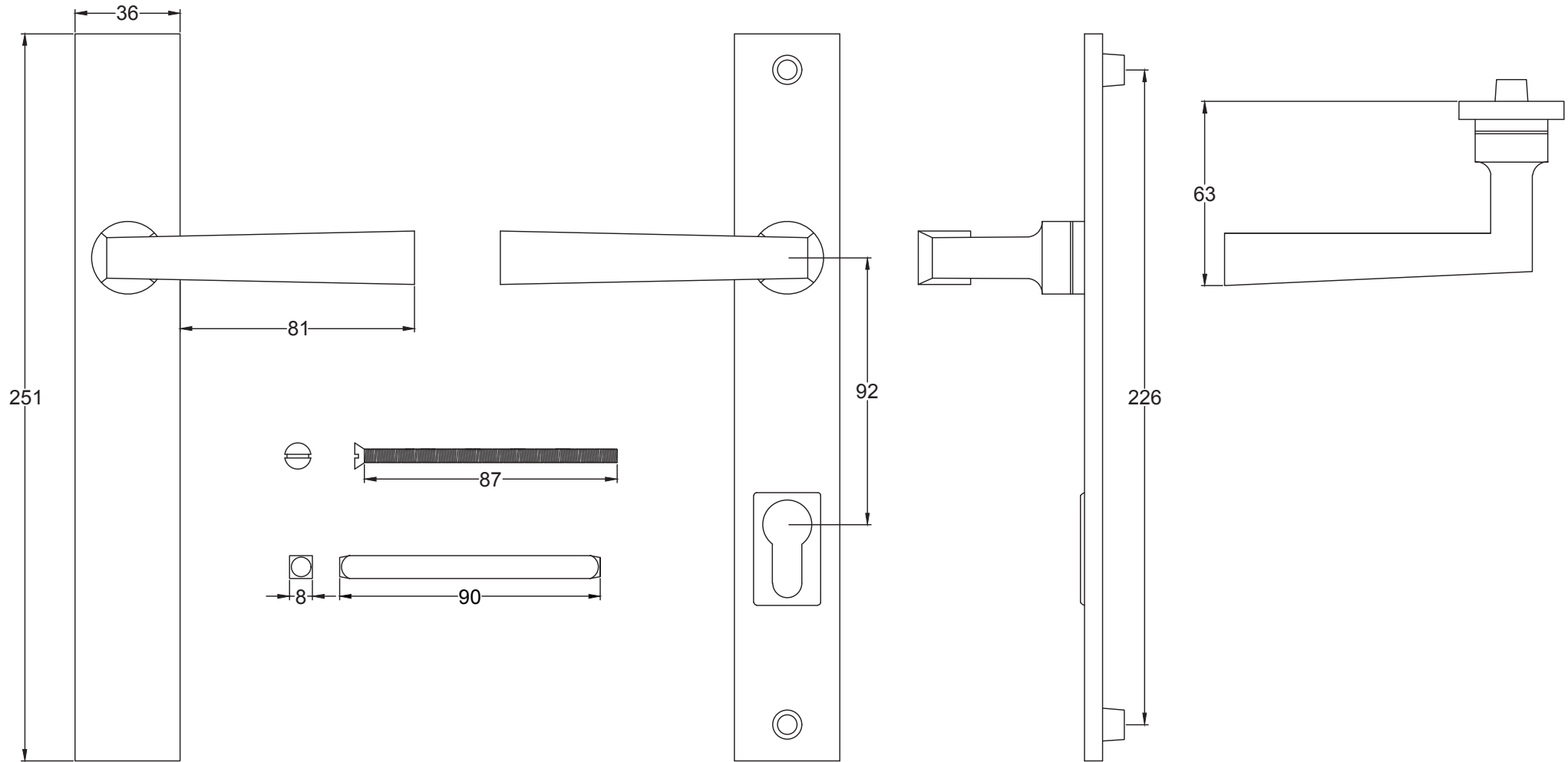
Drawn By: Carl Benson

Product Name : Arundel Multipoint Passage.

Material / Colour: Flat Black/Drop Forged Steel.

Pack Content: 1 x Pair of Handles, 1 x Mortice Bar, 8 x Matching Stainless Steel Slotted Wood Screws

**Suffolk Latch Co**  
[suffolklatchcompany.co.uk](http://suffolklatchcompany.co.uk)



Web: [www.suffolklatchcompany.co.uk](http://www.suffolklatchcompany.co.uk)  
 Email: [info@suffolklatchcompany.co.uk](mailto:info@suffolklatchcompany.co.uk)  
 Tel: 01787 277277

Suffolk Latch Company Ltd  
 Unit B, Bridewell Ind Est  
 Clare  
 Suffolk  
 CO10 8QD

Scale: 1:2

SKU: UKS-FB1127

Date: 09/10/2019

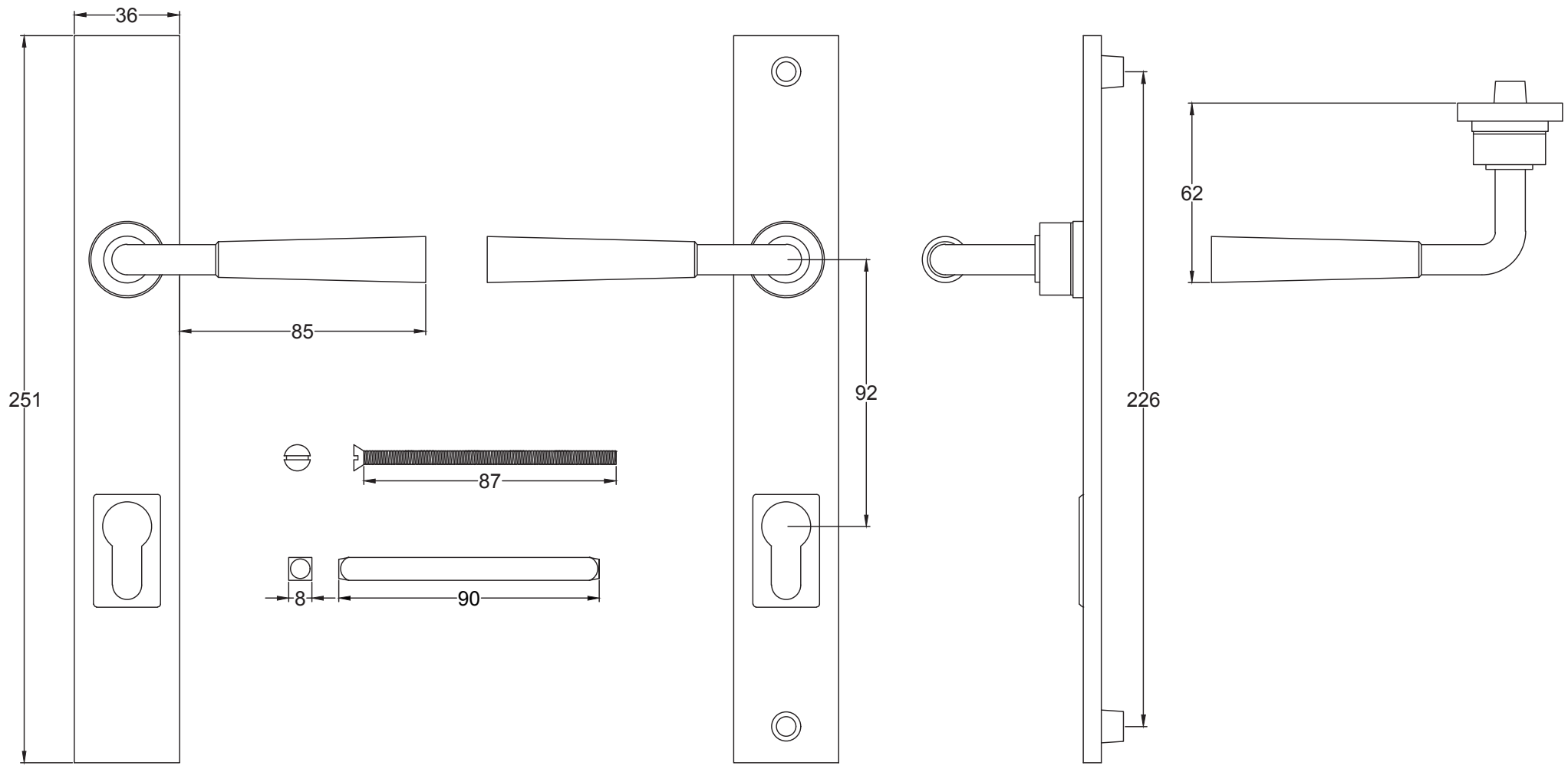
Drawn By: Carl Benson

Product Name : Arundel Multipoint Patio.

Material / Colour: Flat Black/Drop Forged Steel.

Pack Content: 1 x Pair of Handles, 1 x Mortice Bar, 2 x Bolt Through Fixings.

**Suffolk Latch Co**  
[suffolklatchcompany.co.uk](http://suffolklatchcompany.co.uk)



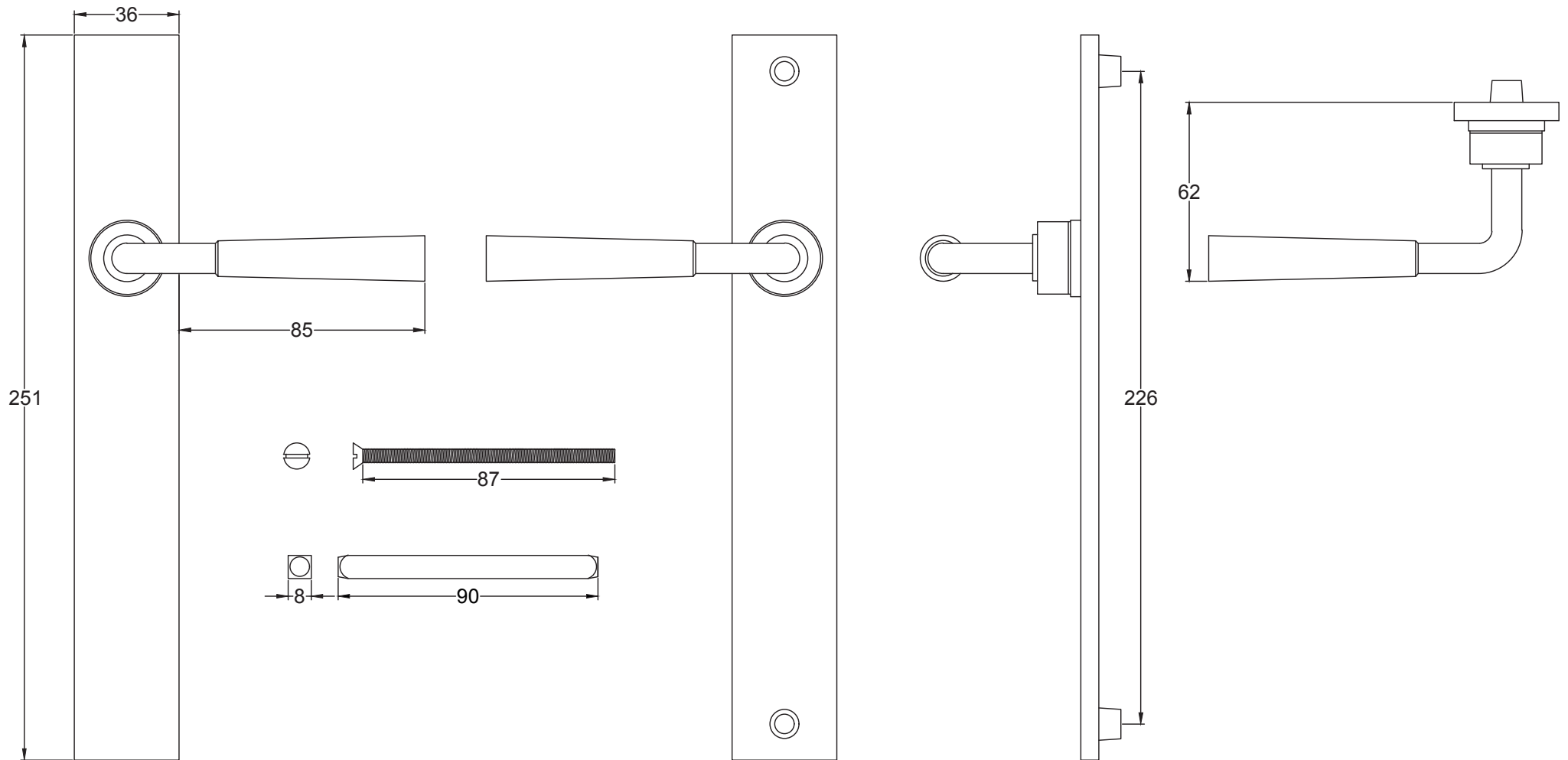
Web: [www.suffolklatchcompany.co.uk](http://www.suffolklatchcompany.co.uk)  
 Email: [info@suffolklatchcompany.co.uk](mailto:info@suffolklatchcompany.co.uk)  
 Tel: 01787 277277

Suffolk Latch Company Ltd  
 Unit B, Bridewell Ind Est  
 Clare  
 Suffolk  
 CO10 8QD

Scale: 1:2
SKU: UKS-FB1115
Date: 09/10/2019
Drawn By: Carl Benson

Product Name :Cotswold Multipoint Entry.  
 Material / Colour: Flat Black/Drop Forged Steel.  
 Pack Content: 1 x Pair of Handles, 1 x Mortice Bar, 2 x Bolt Through Fixings





Web: [www.suffolklatchcompany.co.uk](http://www.suffolklatchcompany.co.uk)  
 Email: [info@suffolklatchcompany.co.uk](mailto:info@suffolklatchcompany.co.uk)  
 Tel: 01787 277277

Suffolk Latch Company Ltd  
 Unit B, Bridewell Ind Est  
 Clare  
 Suffolk  
 CO10 8QD

Scale: 1:2

SKU: UKS-FB1118

Date: 09/10/2019

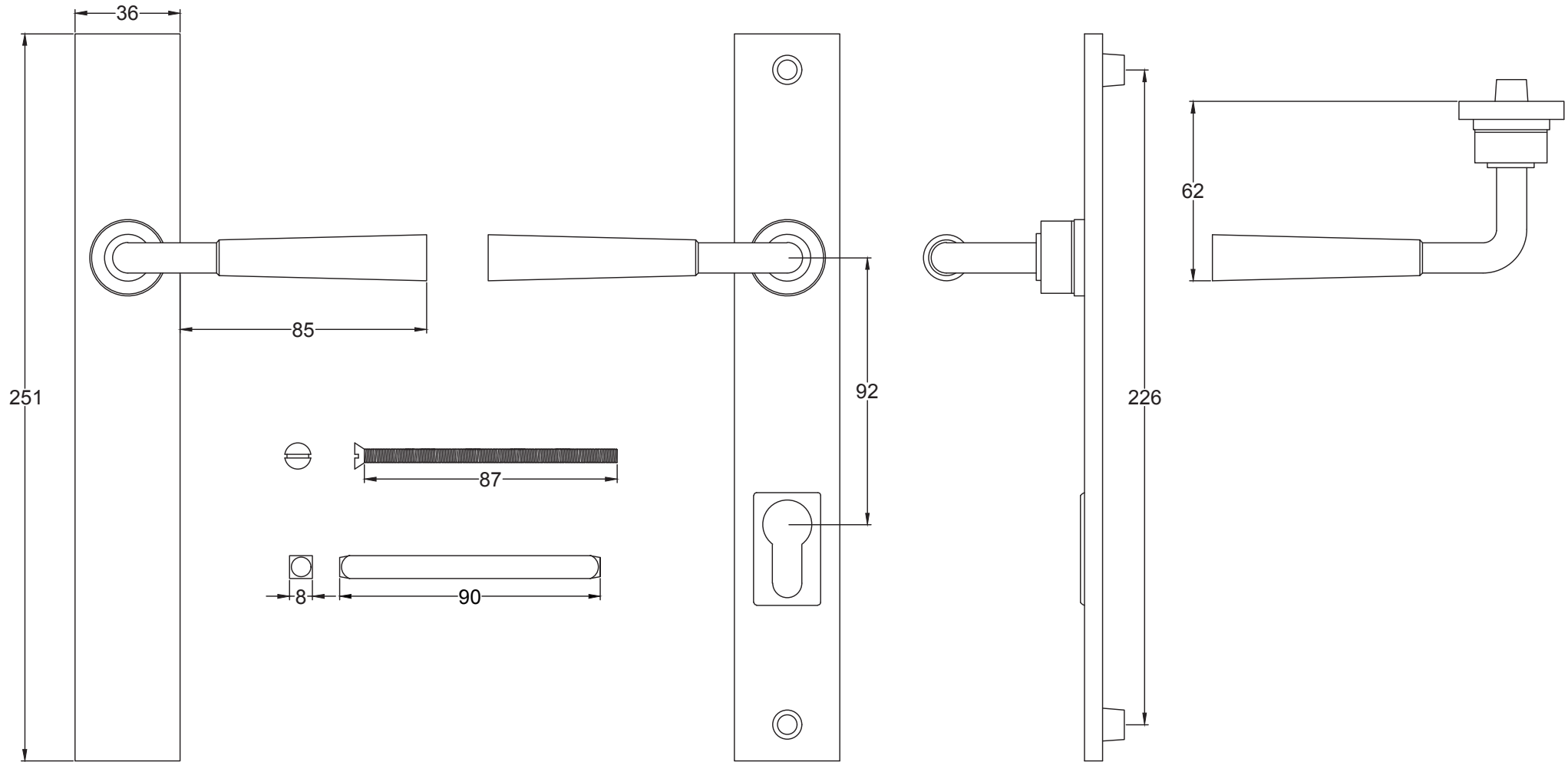
Drawn By: Carl Benson

Product Name : Cotswold Multipoint Passage.

Material / Colour: Flat Black/Drop Forged Steel.

Pack Content: 1 x Pair of Handles, 1 x Mortice Bar, 8 x Matching Stainless Steel Slotted Wood Screws

**Suffolk Latch Co**  
[suffolklatchcompany.co.uk](http://suffolklatchcompany.co.uk)



Web: [www.suffolklatchcompany.co.uk](http://www.suffolklatchcompany.co.uk)  
 Email: [info@suffolklatchcompany.co.uk](mailto:info@suffolklatchcompany.co.uk)  
 Tel: 01787 277277

Suffolk Latch Company Ltd  
 Unit B, Bridewell Ind Est  
 Clare  
 Suffolk  
 CO10 8QD

Scale: 1:2

SKU: UKS-FB1117

Date: 09/10/2019

Drawn By: Carl Benson

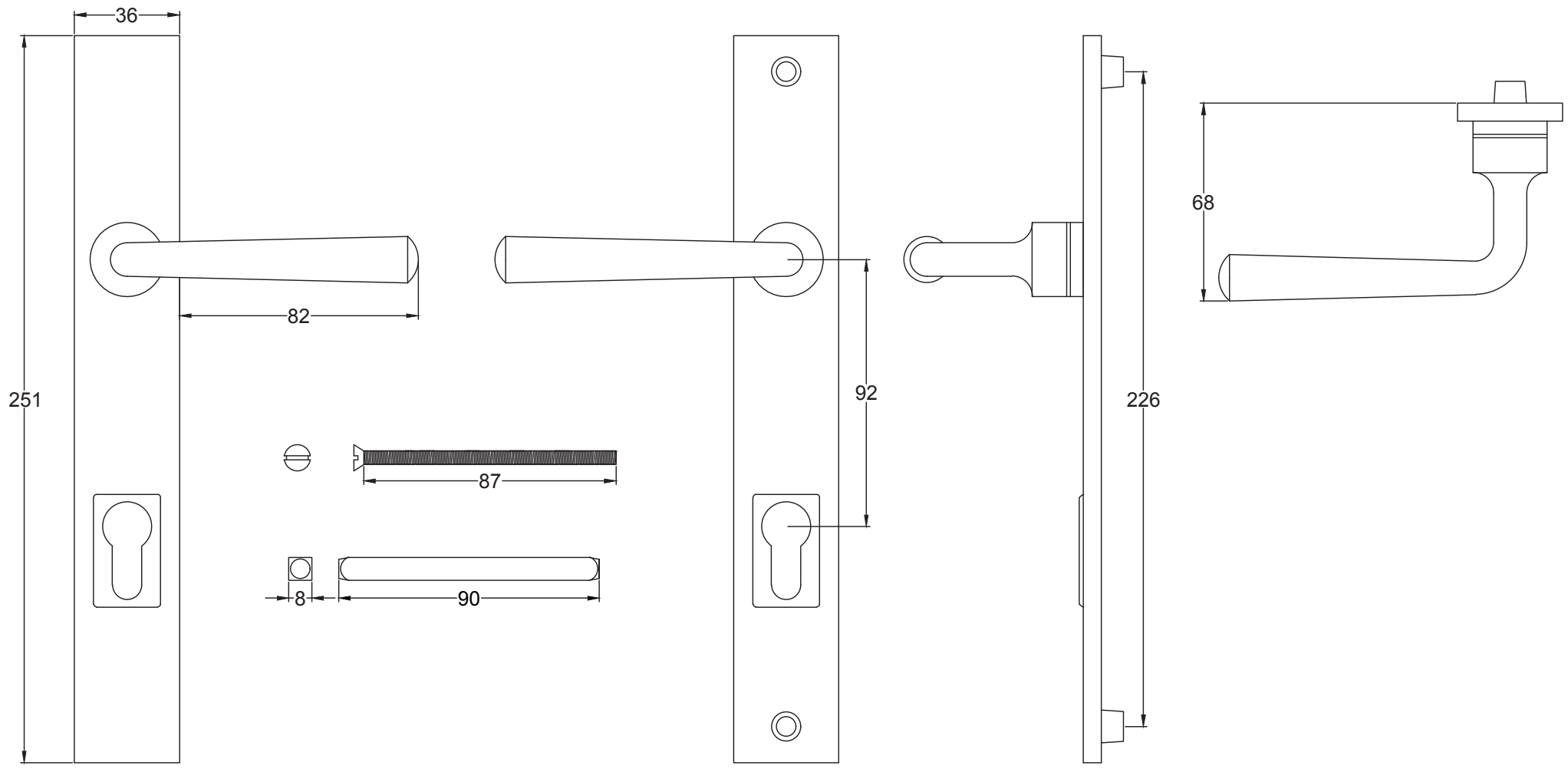
Product Name :Cotswold Multipoint Patio.

Material / Colour: Flat Black/Drop Forged Steel.

Pack Content: 1 x Pair of Handles, 1 x Mortice Bar, 2 x Bolt Through Fixings.

**Suffolk Latch Co**  
[suffolklatchcompany.co.uk](http://suffolklatchcompany.co.uk)





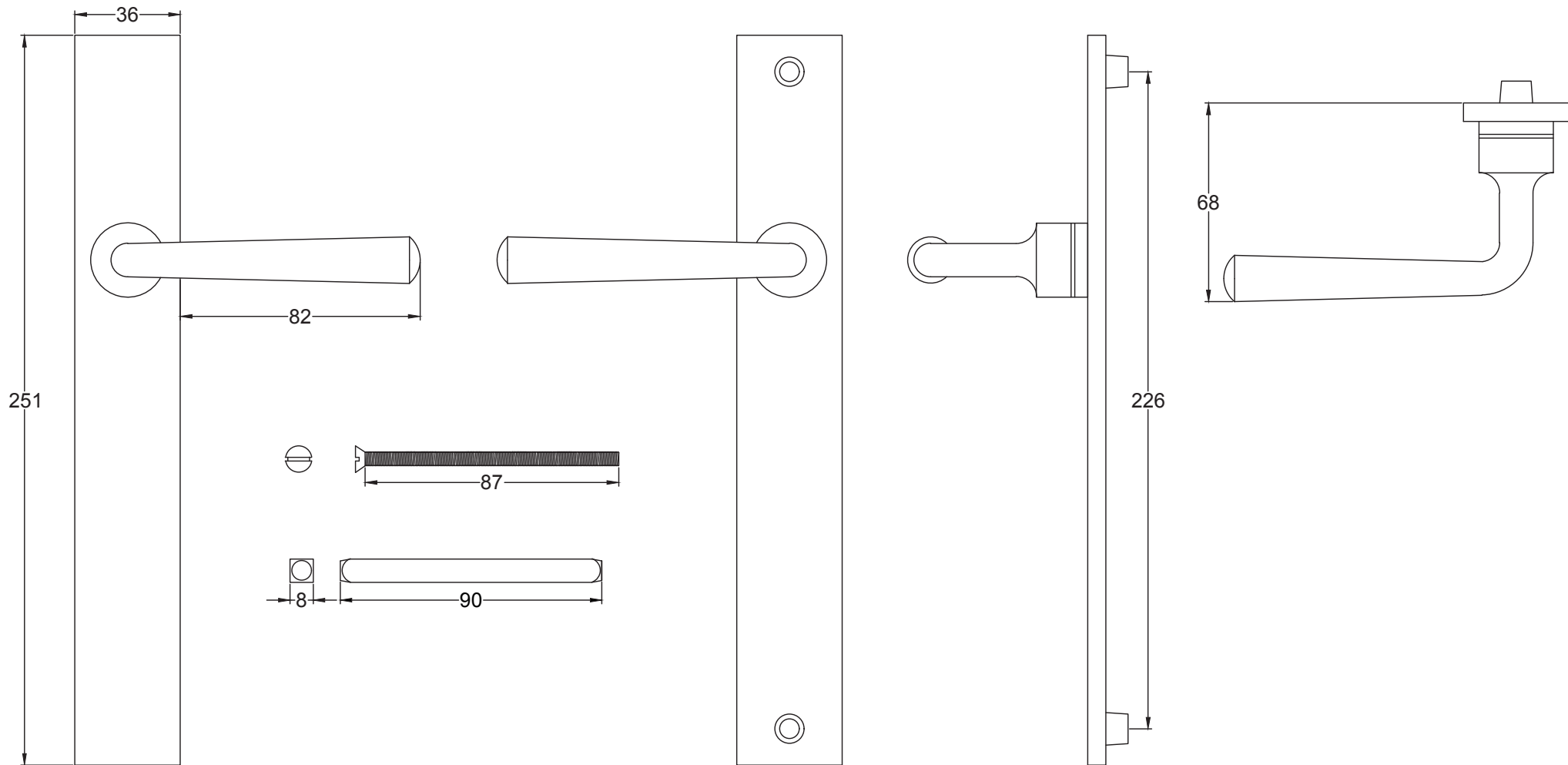
Web: [www.suffolkatchcompany.co.uk](http://www.suffolkatchcompany.co.uk)  
 Email: [info@suffolkatchcompany.co.uk](mailto:info@suffolkatchcompany.co.uk)  
 Tel: 01787 277277

Suffolk Latch Company Ltd  
 Unit B, Bridewell Ind Est  
 Clare  
 Suffolk  
 CO10 8QD

Scale: 1:2
SKU: UKS-FB006
Date: 09/10/2019
Drawn By: Carl Benson

Product Name :Padstow Multipoint Entry.  
 Material / Colour: Flat Black/Drop Forged Steel.  
 Pack Content: 1 x Pair of Handles, 1 x Mortice Bar, 2 x Bolt Through Fixings





Web: [www.suffolklatchcompany.co.uk](http://www.suffolklatchcompany.co.uk)  
 Email: [info@suffolklatchcompany.co.uk](mailto:info@suffolklatchcompany.co.uk)  
 Tel: 01787 277277

Suffolk Latch Company Ltd  
 Unit B, Bridewell Ind Est  
 Clare  
 Suffolk  
 CO10 8QD

Scale: 1:2

SKU: UKS-FB1067

Date: 09/10/2019

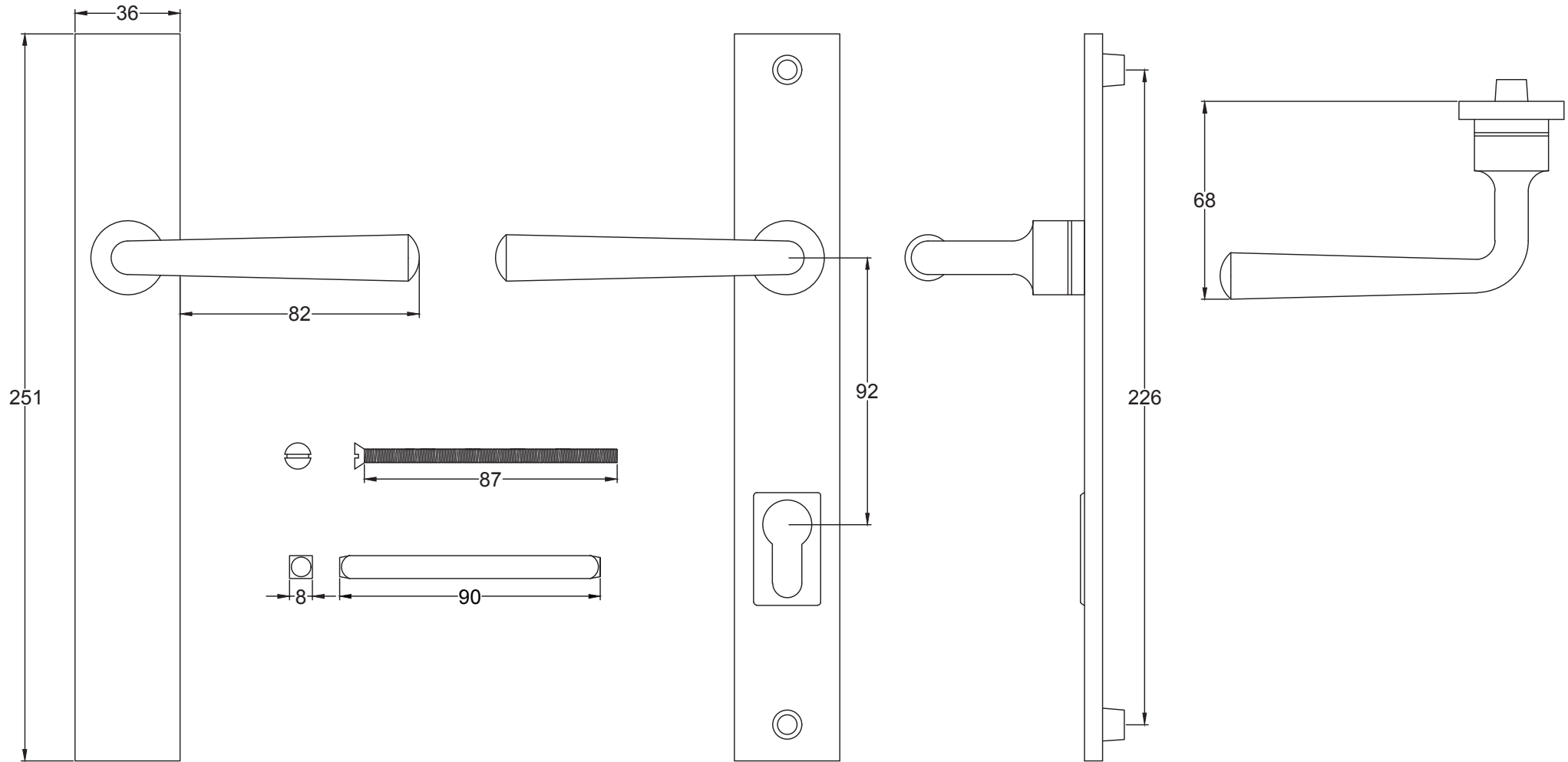
Drawn By: Carl Benson

Product Name : Padstow Multipoint Passage.

Material / Colour: Flat Black/Drop Forged Steel.

Pack Content: 1 x Pair of Handles, 1 x Mortice Bar, 8 x Matching Stainless Steel Slotted Wood Screws

**Suffolk Latch Co**  
[suffolklatchcompany.co.uk](http://suffolklatchcompany.co.uk)



Web: [www.suffolkatchcompany.co.uk](http://www.suffolkatchcompany.co.uk)  
 Email: [info@suffolkatchcompany.co.uk](mailto:info@suffolkatchcompany.co.uk)  
 Tel: 01787 277277

Suffolk Latch Company Ltd  
 Unit B, Bridewell Ind Est  
 Clare  
 Suffolk  
 CO10 8QD

Scale: 1:2

SKU: UKS-FB1066

Date: 09/10/2019

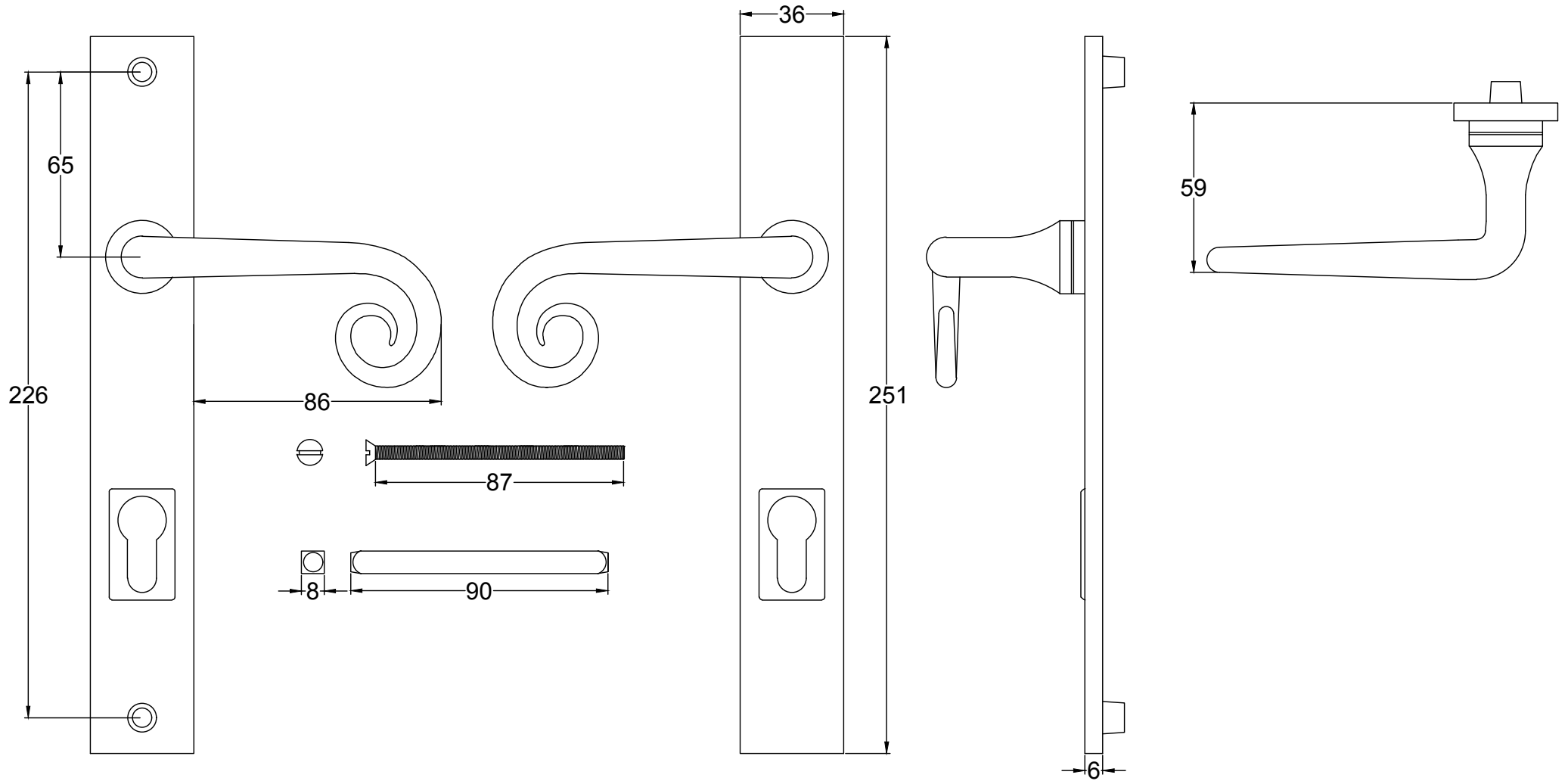
Drawn By: Carl Benson

Product Name :Padstow Multipoint Patio.

Material / Colour: Flat Black/Drop Forged Steel.

Pack Content: 1 x Pair of Handles, 1 x Mortice Bar, 2 x Bolt Through Fixings.

**Suffolk Latch Co**  
[suffolkatchcompany.co.uk](http://suffolkatchcompany.co.uk)



Web: [www.suffolklatchcompany.co.uk](http://www.suffolklatchcompany.co.uk)  
 Email: [info@suffolklatchcompany.co.uk](mailto:info@suffolklatchcompany.co.uk)  
 Tel: 01787 277277

Suffolk Latch Company Ltd  
 Unit B, Bridewell Ind Est  
 Clare  
 Suffolk  
 CO10 8QD

Scale: 1:2

SKU: UKS-FB1073L

Date: 19/05/2020

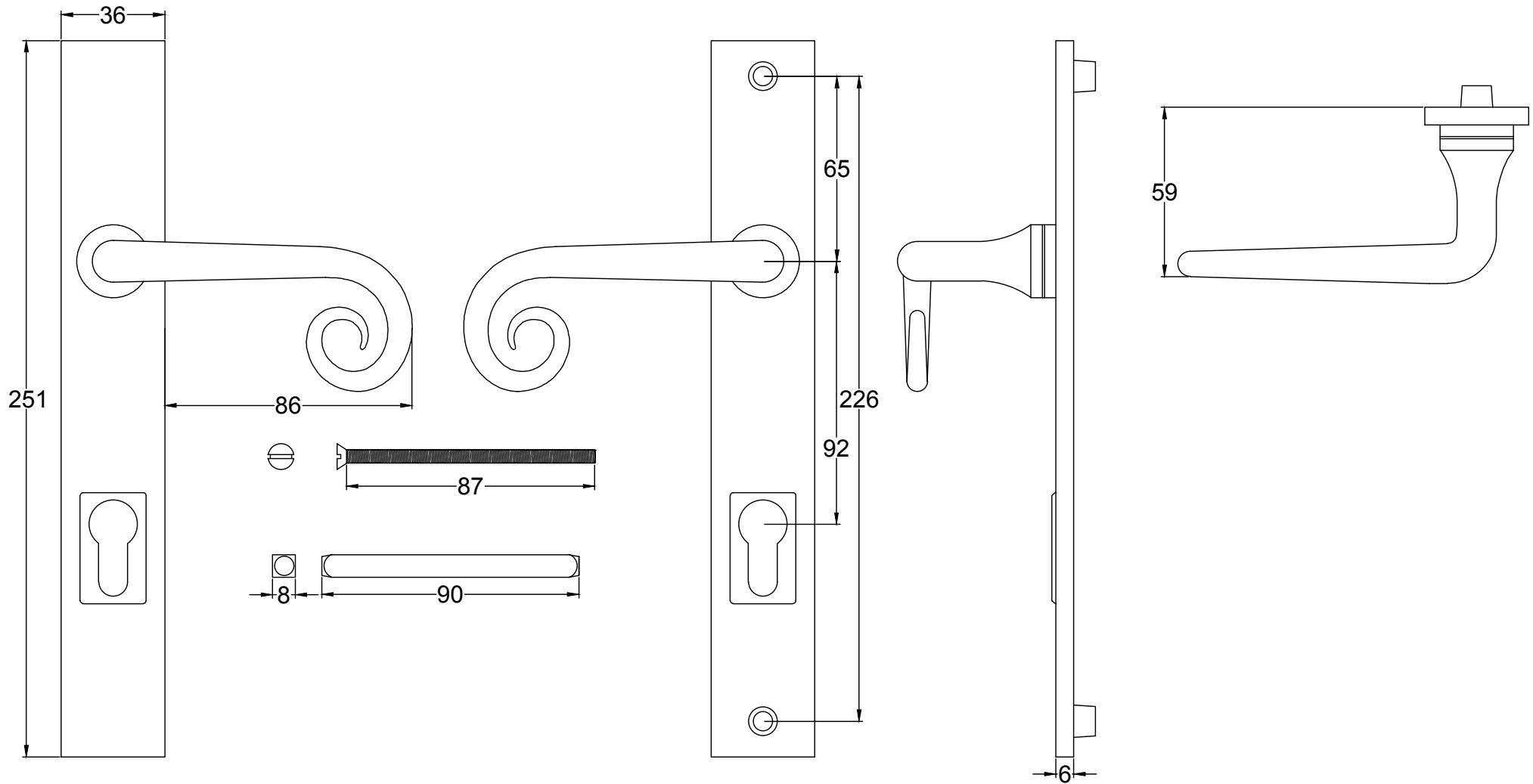
Drawn By: Carl Benson

Product Name :Curl Multipoint Entry Left Hand.

Material / Colour: Flat Black/Drop Forged Steel.

Pack Content:1 x Pair of Handles, 1 x Mortice Bar, 2 x Bolt Through Fixings.

**Suffolk Latch Co**  
[suffolklatchcompany.co.uk](http://suffolklatchcompany.co.uk)



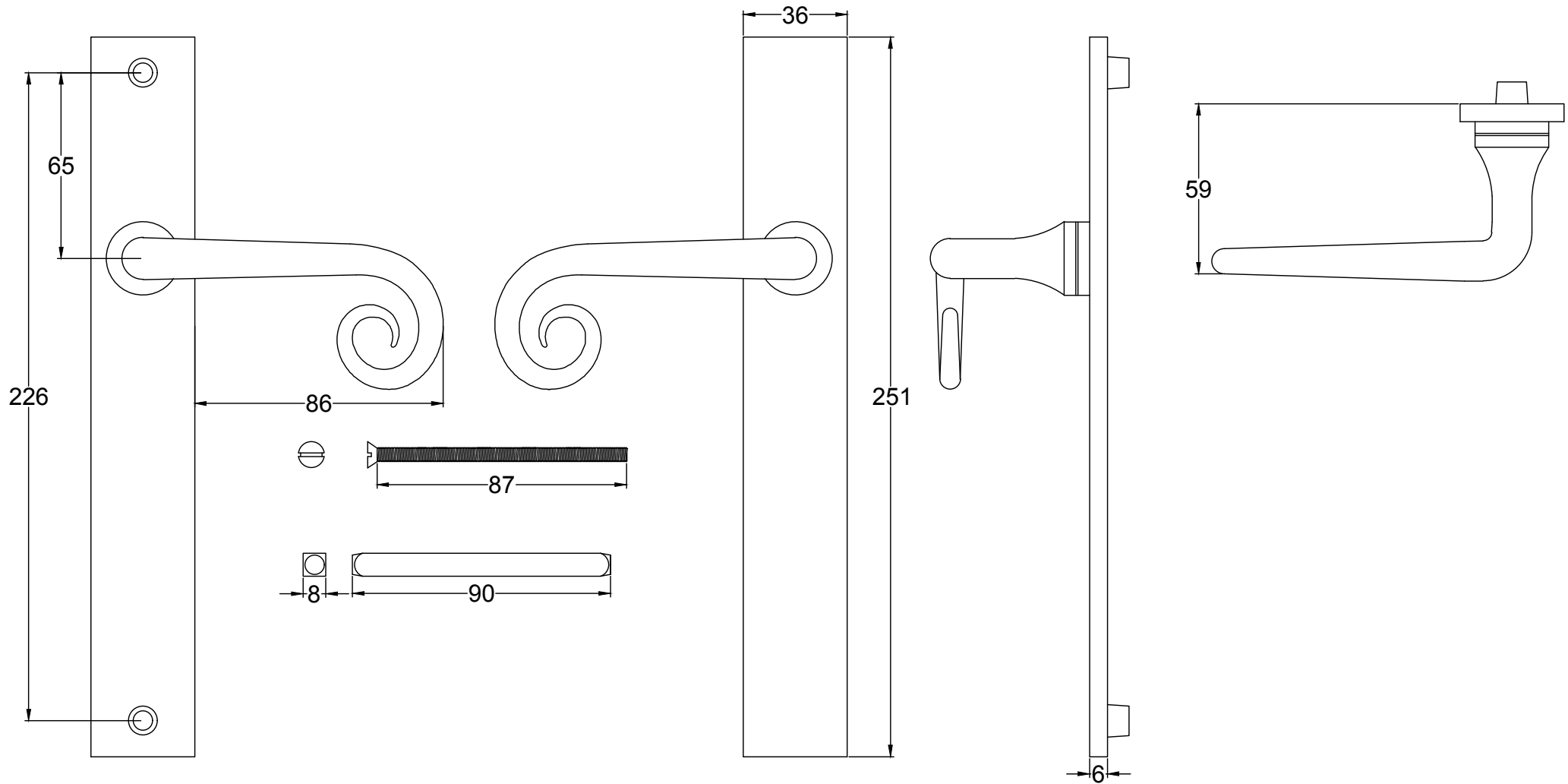
Web: [www.suffolkatchcompany.co.uk](http://www.suffolkatchcompany.co.uk)  
 Email: [info@suffolkatchcompany.co.uk](mailto:info@suffolkatchcompany.co.uk)  
 Tel: 01787 277277

Suffolk Latch Company Ltd  
 Unit B, Bridewell Ind Est  
 Clare  
 Suffolk  
 CO10 8QD

Scale: 1:2  
 SKU: UKS-FB1073R  
 Date: 19/05/2020  
 Drawn By: Carl Benson

Product Name :Curl Multipoint Entry Right Hand.  
 Material / Colour: Flat Black/Drop Forged Steel.  
 Pack Content:1 x Pair of Handles, 1 x Mortice Bar, 2 x Bolt Through Fixings.





Web: [www.suffolklatchcompany.co.uk](http://www.suffolklatchcompany.co.uk)  
 Email: [info@suffolklatchcompany.co.uk](mailto:info@suffolklatchcompany.co.uk)  
 Tel: 01787 277277

Suffolk Latch Company Ltd  
 Unit B, Bridewell Ind Est  
 Clare  
 Suffolk  
 CO10 8QD

Scale: 1:2

SKU: UKS-FB1076L

Date: 19/05/2020

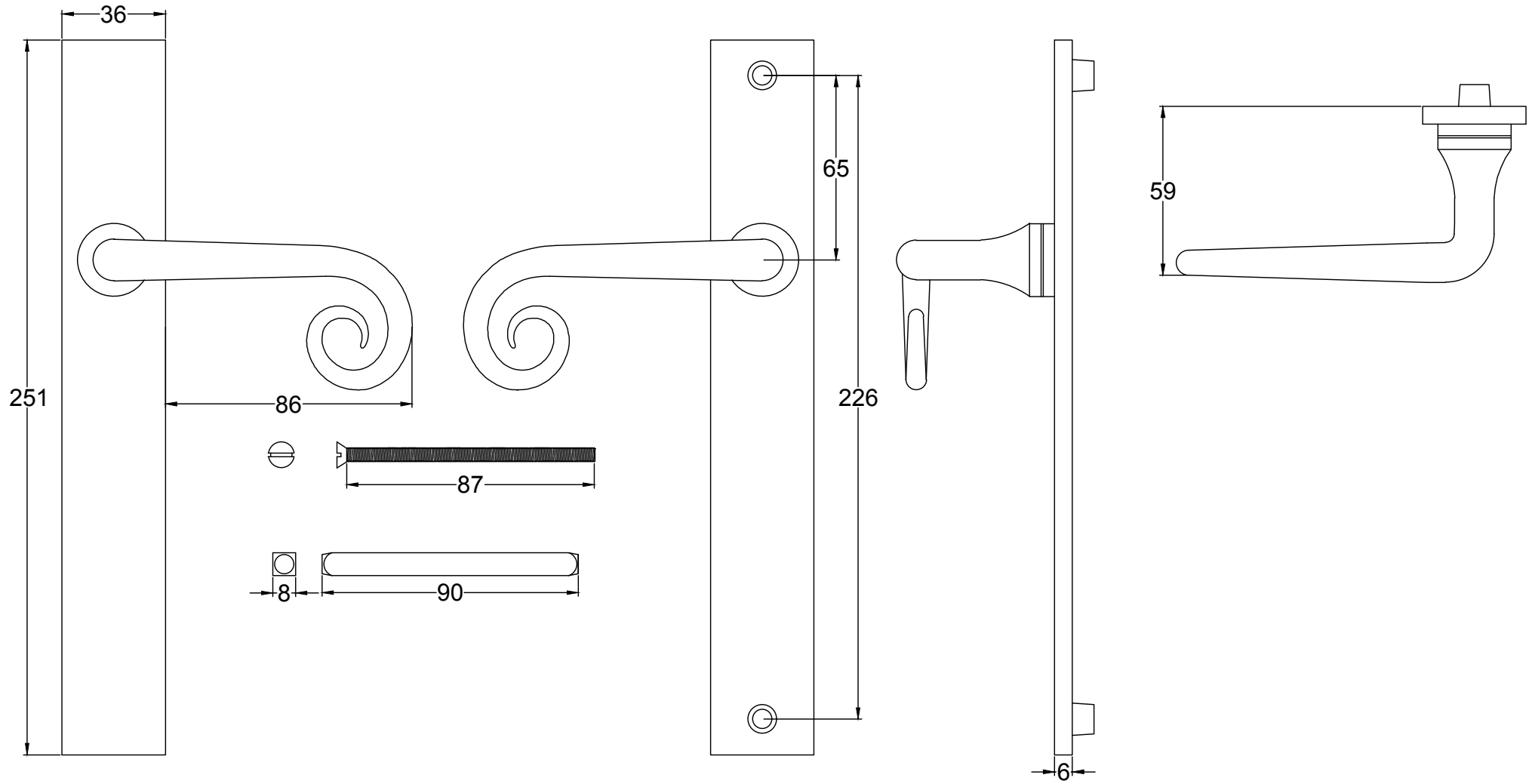
Drawn By: Carl Benson

Product Name :Curl Multipoint Passage Left Hand.

Material / Colour: Flat Black/Drop Forged Steel.

Pack Content:1 x Pair of Handles, 1 x Mortice Bar, 2 x Bolt Through Fixings.

**Suffolk Latch Co**  
[suffolklatchcompany.co.uk](http://suffolklatchcompany.co.uk)



Web: [www.suffolklatchcompany.co.uk](http://www.suffolklatchcompany.co.uk)  
 Email: [info@suffolklatchcompany.co.uk](mailto:info@suffolklatchcompany.co.uk)  
 Tel: 01787 277277

Suffolk Latch Company Ltd  
 Unit B, Bridewell Ind Est  
 Clare  
 Suffolk  
 CO10 8QD

Scale: 1:2

SKU: UKS-FB1076R

Date: 19/05/2020

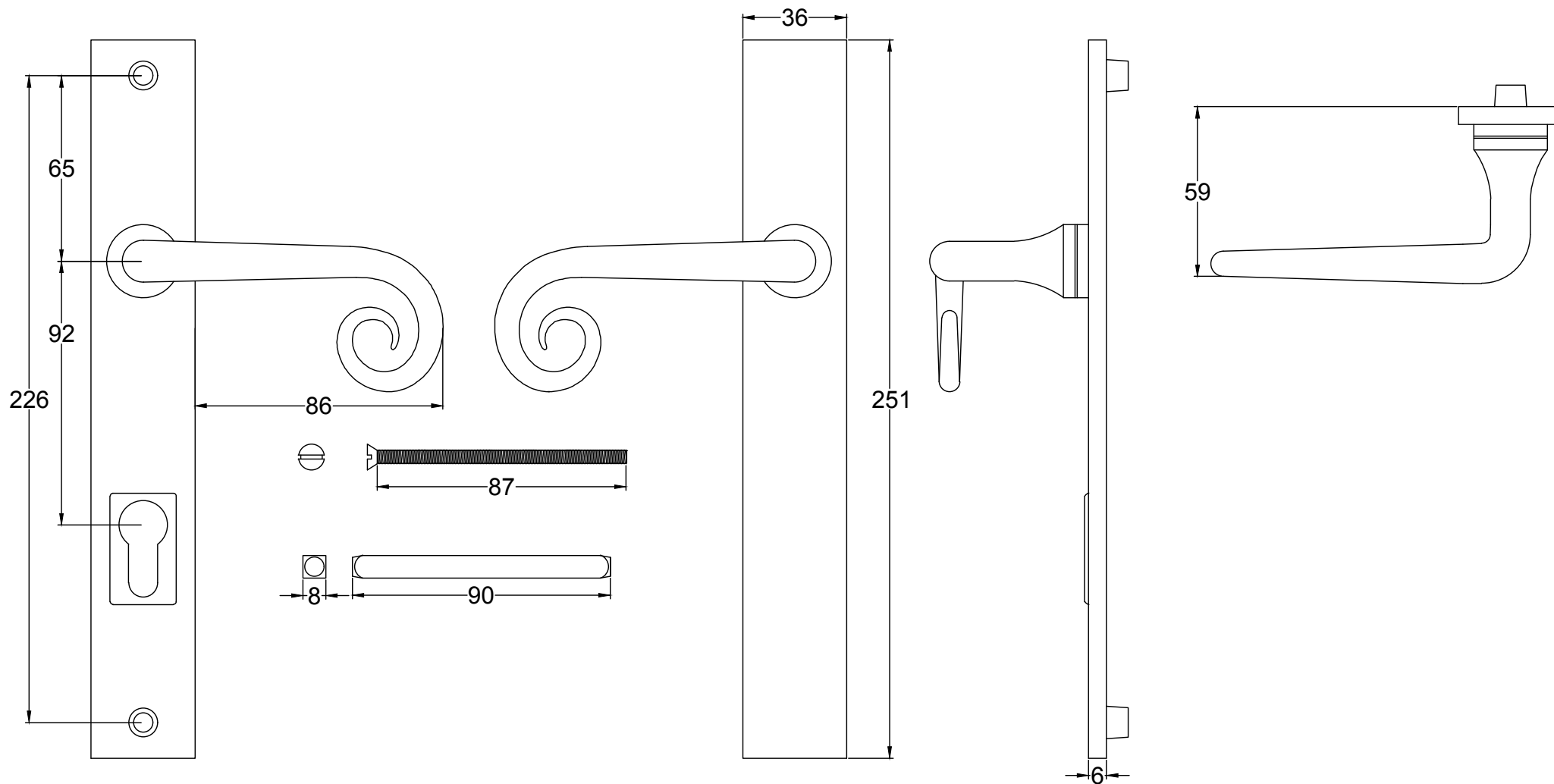
Drawn By: Carl Benson

Product Name :Curl Multipoint Passage Right Hand.

Material / Colour: Flat Black/Drop Forged Steel.

Pack Content:1 x Pair of Handles, 1 x Mortice Bar, 2 x Bolt Through Fixings.

**Suffolk Latch Co**  
[suffolklatchcompany.co.uk](http://suffolklatchcompany.co.uk)



Web: [www.suffolkatchcompany.co.uk](http://www.suffolkatchcompany.co.uk)  
 Email: [info@suffolkatchcompany.co.uk](mailto:info@suffolkatchcompany.co.uk)  
 Tel: 01787 277277

Suffolk Latch Company Ltd  
 Unit B, Bridewell Ind Est  
 Clare  
 Suffolk  
 CO10 8QD

Scale: 1:2

SKU: UKS-FB1074L

Date: 19/05/2020

Drawn By: Carl Benson

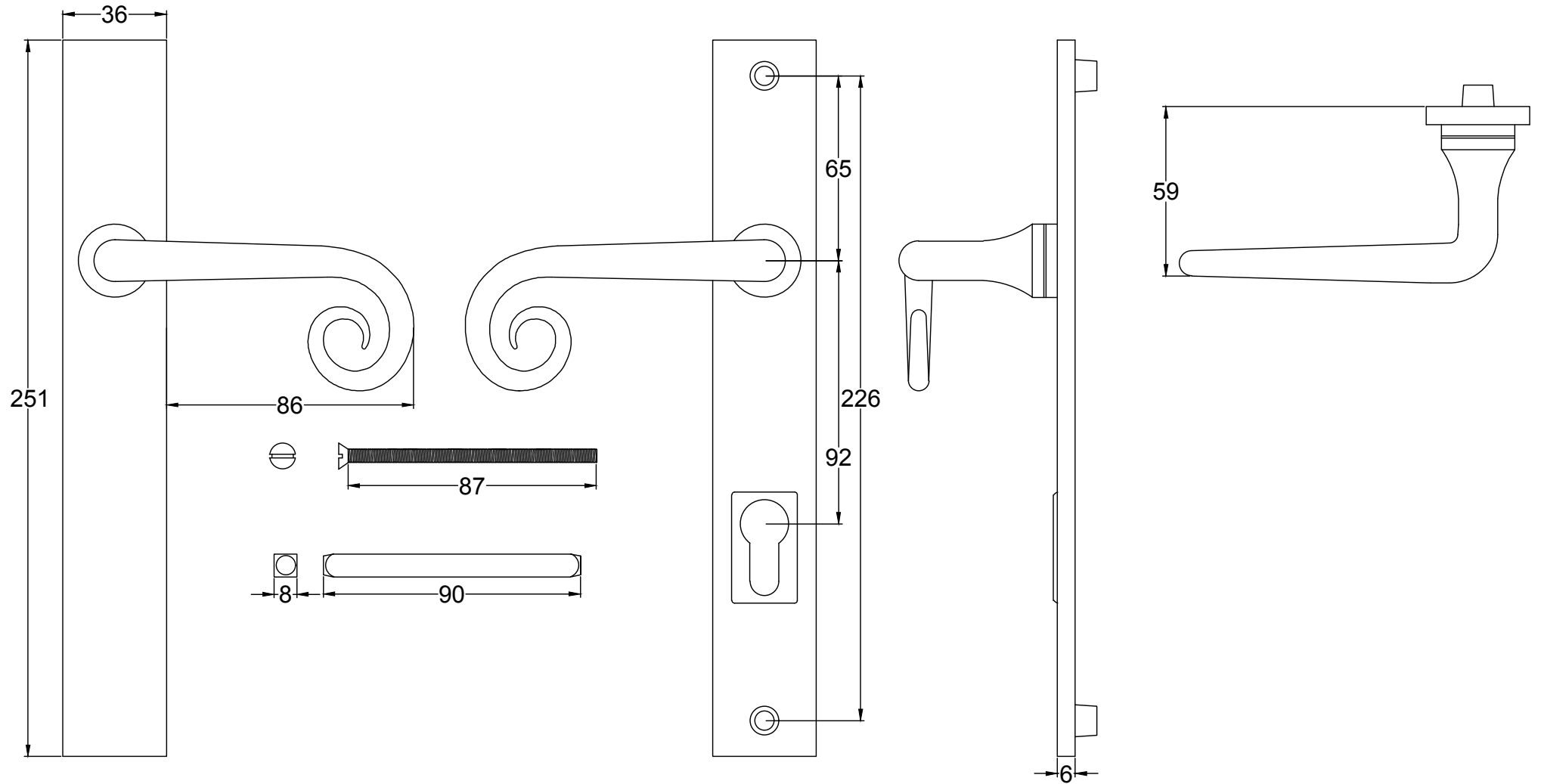
Product Name :Curl Multipoint Patio Left Hand.

Material / Colour: Flat Black/Drop Forged Steel.

Pack Content:1 x Pair of Handles, 1 x Mortice Bar, 2 x Bolt Through Fixings.

**Suffolk Latch Co**  
[suffolkatchcompany.co.uk](http://suffolkatchcompany.co.uk)





Web: [www.suffolklatchcompany.co.uk](http://www.suffolklatchcompany.co.uk)  
 Email: [info@suffolklatchcompany.co.uk](mailto:info@suffolklatchcompany.co.uk)  
 Tel: 01787 277277

Suffolk Latch Company Ltd  
 Unit B, Bridewell Ind Est  
 Clare  
 Suffolk  
 CO10 8QD

Scale: 1:2

SKU: UKS-FB1074R

Date: 19/05/2020

Drawn By: Carl Benson

Product Name :Curl Multipoint Patio Right Hand.

Material / Colour: Flat Black/Drop Forged Steel.

Pack Content:1 x Pair of Handles, 1 x Mortice Bar, 2 x Bolt Through Fixings.

**Suffolk Latch Co**  
[suffolklatchcompany.co.uk](http://suffolklatchcompany.co.uk)