

Web: www.suffolklatchcompany.co.uk
 Email: info@suffolklatchcompany.co.uk
 Tel: 01787 277277

Suffolk Latch Company Ltd
 Unit B
 Clare
 Suffolk
 CO10 8QP

Scale: 1:2

SKU: UK-HAMTOI-P

Date: 09/02/2018

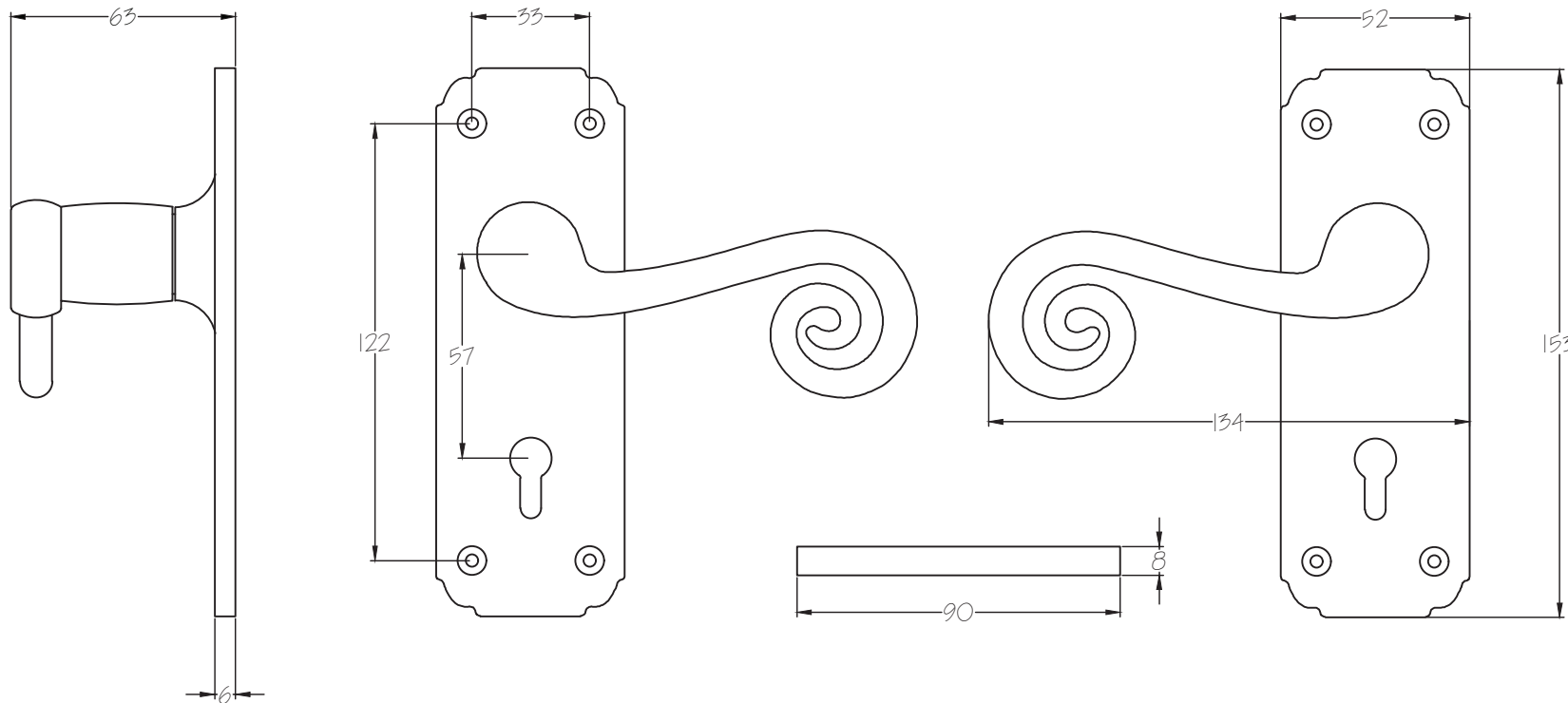
Drawn By: Carl Benson

Product Name: Monkey Tail Lever Latch Handle

Material / Colour: Cast Iron, Pewter Finish

Pack Content: 2 x Lever Handles, 1 x Mortice bar, 8 x Matching Wood Screws.

Suffolk Latch Co
suffolklatchcompany.co.uk



Web: www.suffolklatchcompany.co.uk
 Email: info@suffolklatchcompany.co.uk
 Tel: 01787 277277

Suffolk Latch Company Ltd
 Unit B
 Clare
 Suffolk
 CO10 8QP

Scale: 1:2

SKU: HAMT02-P

Date: 09/02/2018

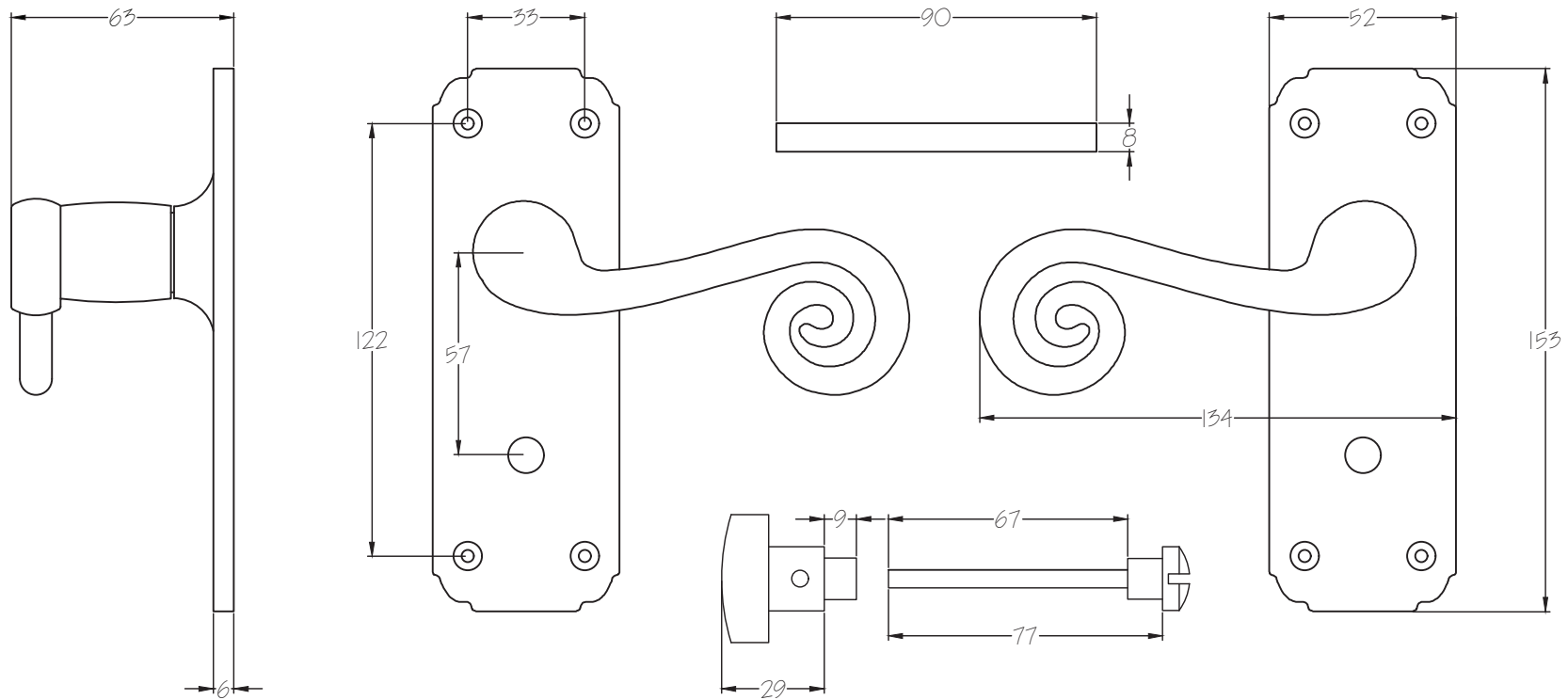
Drawn By: Carl Benson

Product Name: Monkey Tail Lever Locking Handle

Material / Colour: Cast Iron, Pewter Finish

Pack Content: 2 x Handles, 1 x Mortice Bar, 8 x Matching Wood Screws.

Suffolk Latch Co
suffolklatchcompany.co.uk



Web: www.suffolklatchcompany.co.uk
 Email: info@suffolklatchcompany.co.uk
 Tel: 01787 277277

Suffolk Latch Company Ltd
 Unit B
 Clare
 Suffolk
 CO10 8QP

Scale: 1:2

SKU: UK-HAMT03-P

Date: 09/02/2018

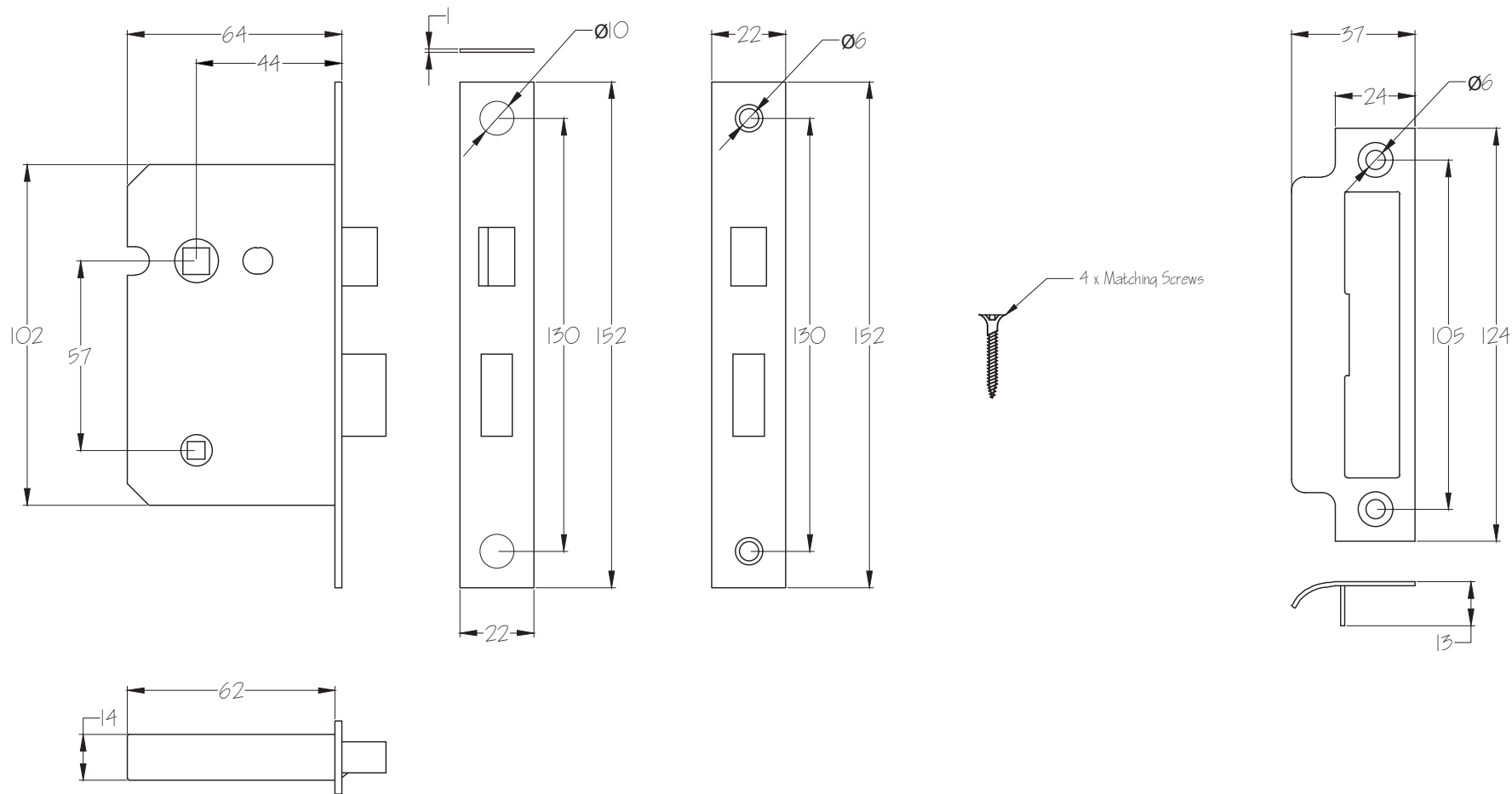
Drawn By: Carl Benson

Product Name: Monkey Tail Bathroom Handle

Material / Colour: Cast Iron, Pewter Finish

Pack Content: 2 x Handles, 1 x Mortise Bar, 8 x Matching Wood Screws

Suffolk Latch Co
suffolklatchcompany.co.uk



Web: www.suffolklatchcompany.co.uk
 Email: info@suffolklatchcompany.co.uk
 Tel: 01787 217277

Suffolk Latch Company Ltd
 Unit B
 Clare
 Suffolk
 CO10 8QD

Scale: 1:2

SKU: LAL1422-NP-2.5

Date: 29/08/2018

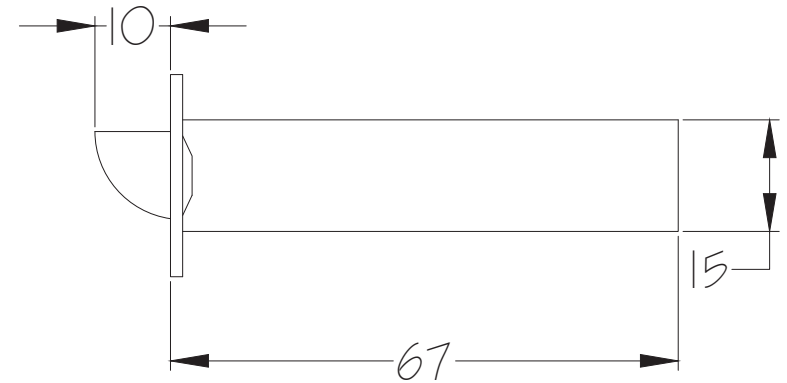
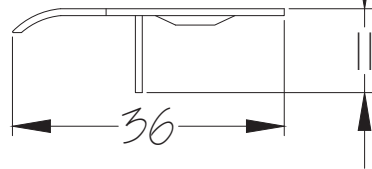
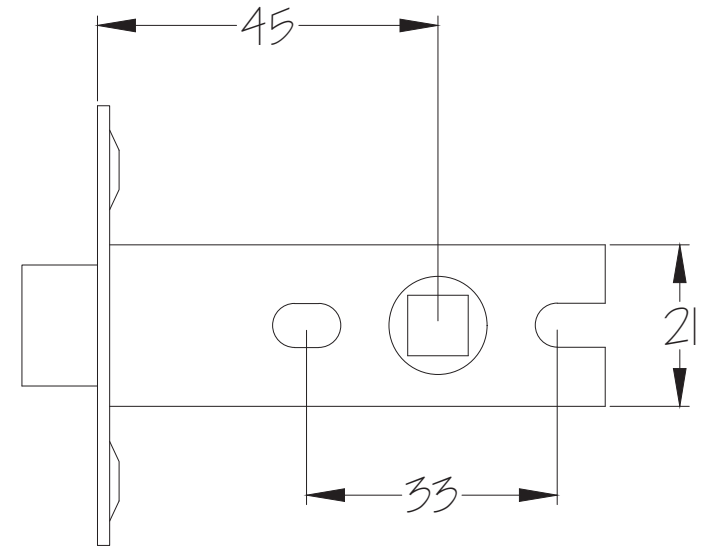
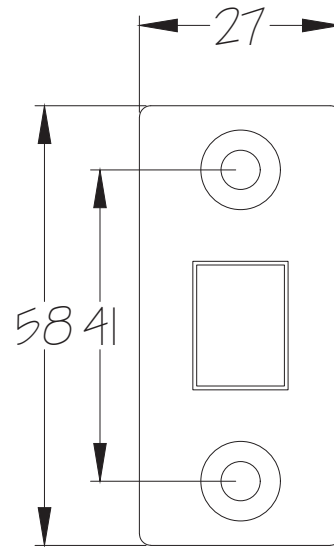
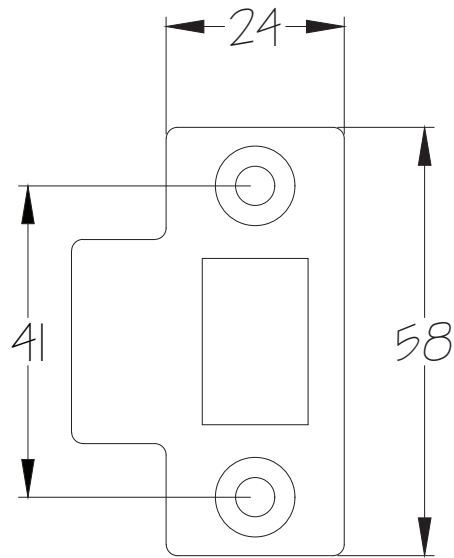
Drawn By: Carl Benson

Product Name: Fire Rated Bathroom Lock 2.5 Inch Fire Rated CEI121

Material / Colour: Mild Steel with Nickel Plate Forend

Pack Content: 1 x Mortice Bathroom Lock, Keeper, Separate Forend & Matching Screws.

Suffolk Latch Co
suffolklatchcompany.co.uk



4 x Matching Screws

Web: www.suffolklatchcompany.co.uk
 Email: info@suffolklatchcompany.co.uk
 Tel: 01787 277277

Suffolk Latch Company Ltd
 Unit B
 Clare
 Suffolk
 CO10 8QP

Scale: 1:1

SKU: LAL0081-NP-2,5

Date: 30/08/2018

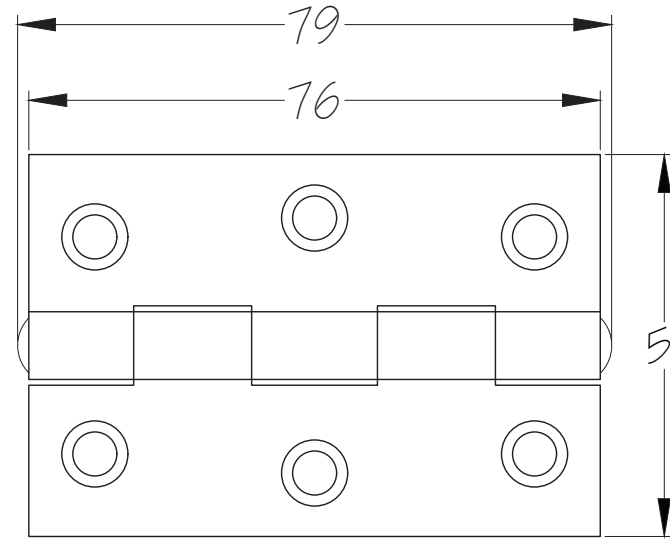
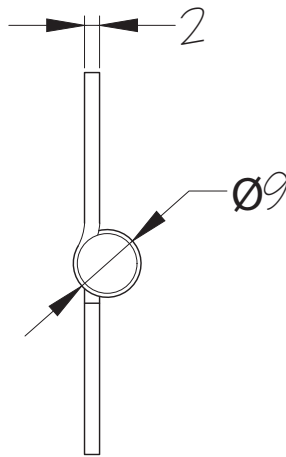
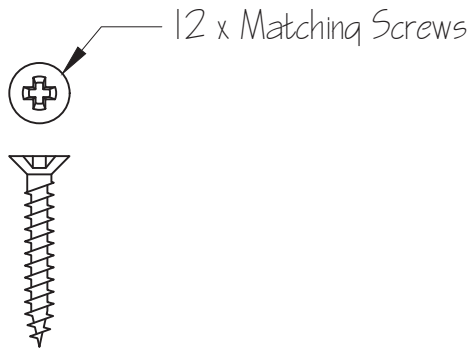
Drawn By: Carl Benson

Product Name: Bolt Through Tubular Latch 2,5 Inch Fire Rated CE1121

Material / Colour: Mild Steel with Nickel Plate Forend

Pack Content: 1 x Tubular Latch, 1 x Keeper, 4 x wood screws.

Suffolk Latch Co
suffolklatchcompany.co.uk



Web: www.suffolklatchcompany.co.uk
 Email: info@suffolklatchcompany.co.uk
 Tel: 01787 277277

Suffolk Latch Company Ltd
 Unit B
 Clare
 Suffolk
 CO10 8QP

Scale: 1:1

SKU: 2020-BZP-3

Date: 01/09/2018

Drawn By: Carl Benson

Product Name: 3 Inch Steel Butt hinge, Spun Pin, Bright Zinc Plated, Fire Rated CEI121.

Material / Colour: Steel With Bright Zinc Plate Plate.

Pack Content: 2 x Hinges 12 x Matching Screws..

Suffolk Latch Co
suffolklatchcompany.co.uk