

Web: www.suffolklatchcompany.co.uk
 Email: info@suffolklatchcompany.co.uk
 Tel: 01787 277277

Suffolk Latch Company Ltd
 Unit B3
 Clare
 Suffolk
 CO10 8QP

Scale: 1:2

SKU: UK-FB467-343

Date: 20/01/2017

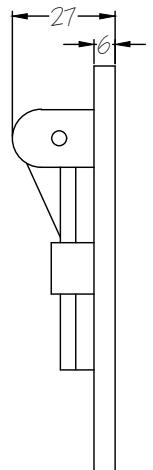
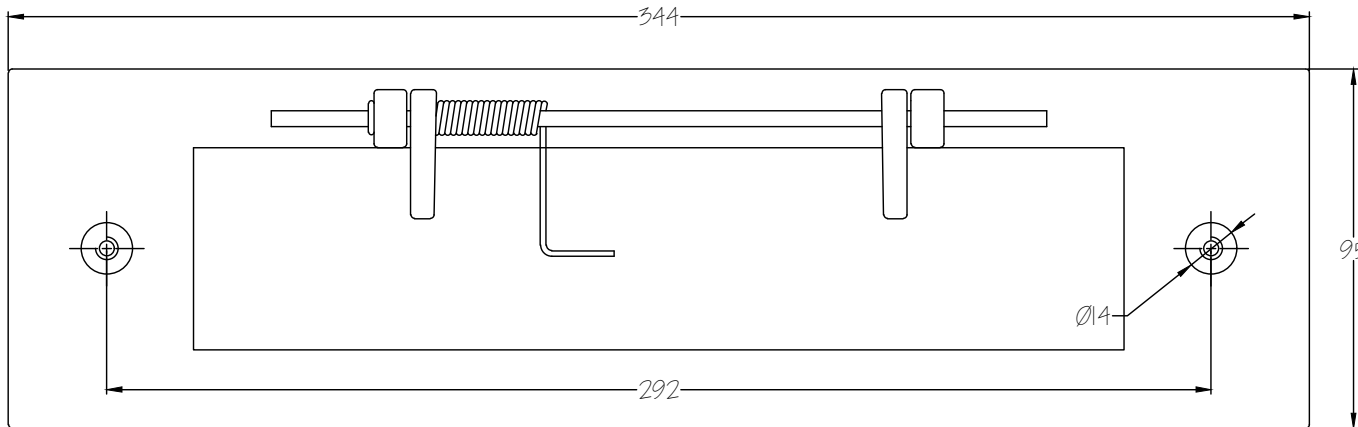
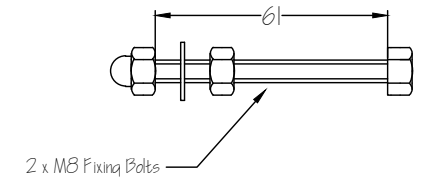
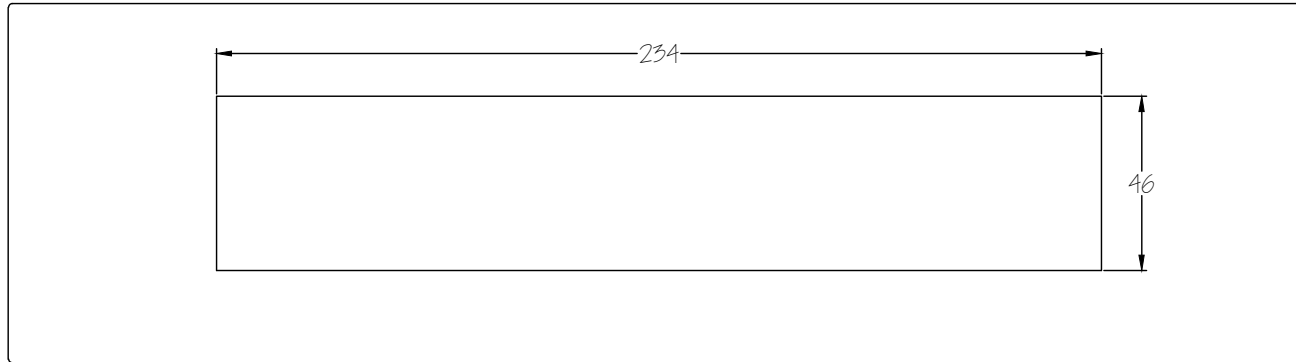
Drawn By: Carl Benson

Product Name: 10.5 Inch Letter plate

Material / Colour: Cast Iron/ Black Epoxy

Pack Content: 1 x Letter Plate, 2 x M8 fixing Bolts.

Suffolk Latch Co
suffolklatchcompany.co.uk



Web: www.suffolklatchcompany.co.uk
 Email: info@suffolklatchcompany.co.uk
 Tel: 01787 277277

Suffolk Latch Company Ltd
 Unit B
 Clare
 Suffolk
 CO10 8QP

Scale: 1:2

SKU: UK-FB465-254.10

Date: 20/01/2017

Drawn By: Carl Benson

Product Name: 13.5 Inch Letter plate

Material / Colour: Cast Iron / Black Epoxy

Pack Content: 1 x Letter Plate, 2 x M8 fixing Bolts.

Suffolk Latch Co
suffolklatchcompany.co.uk