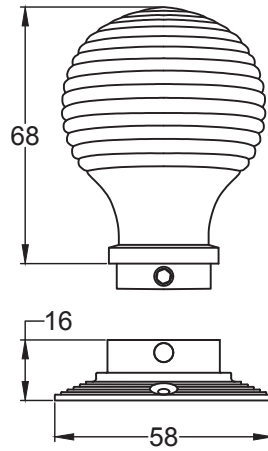


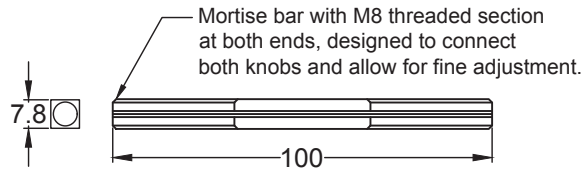
KNOB08C KNOB07C



Our rosewood beehive door knob has a separate rose plate. The door knobs are connected via a threaded M8 mortise bar.

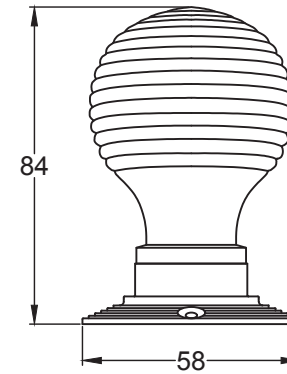


Supplied with matching countersunk dome head slotted screws. please note screws are not hardened, please pre drill pilot hole and cut thread with a hardened equivalent sized screw, finally fix with a hand screwdriver.



Mortise bar with M8 threaded section at both ends, designed to connect both knobs and allow for fine adjustment.

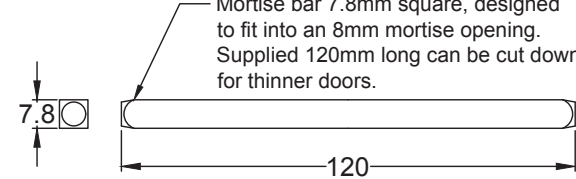
KNOB07 KNOB08



Our ebonized beehive door knob now has a fixed rose plate. Both knobs are connected with a square smooth mortise bar.

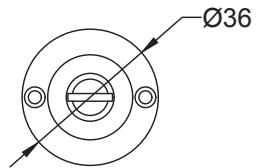
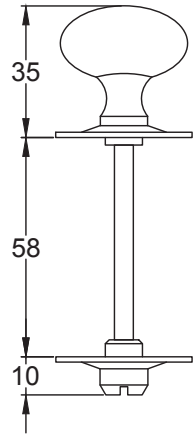
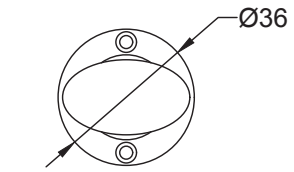


Supplied with matching countersunk dome head slotted screws. please note screws are not hardened, please pre drill pilot hole and cut thread with a hardened equivalent sized screw, finally fix with a hand screwdriver.

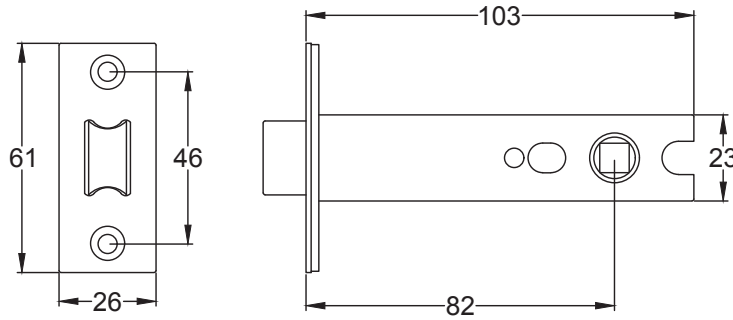


Mortise bar 7.8mm square, designed to fit into an 8mm mortise opening. Supplied 120mm long can be cut down for thinner doors.

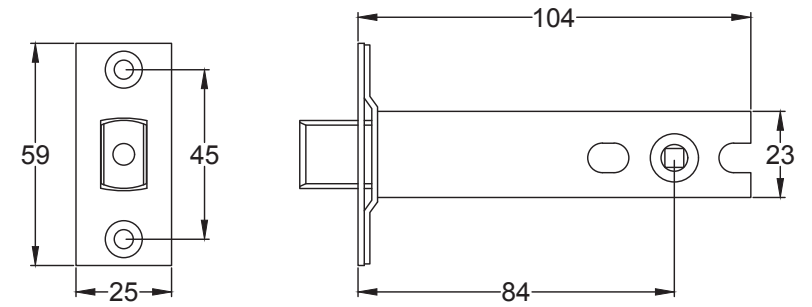
Turn & Release



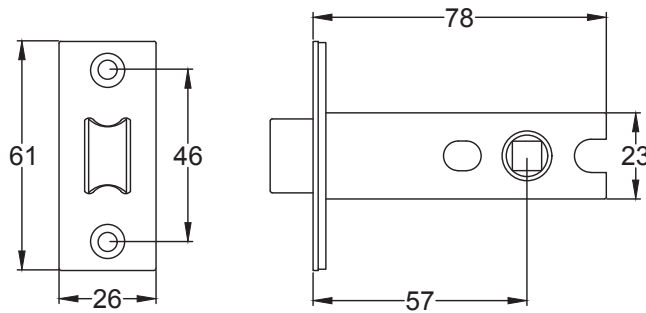
Heavy Duty Latch - 4 Inch



Dead Bolt - 4 Inch



Heavy Duty Latch - 3 Inch



Dead Bolt - 3 Inch

