

Lever Lock Handle

Sash Bathroom Lock

Lever Latch Handle

Sash Lock Euro Body

Lever Bathroom Handle

Tubular Latch

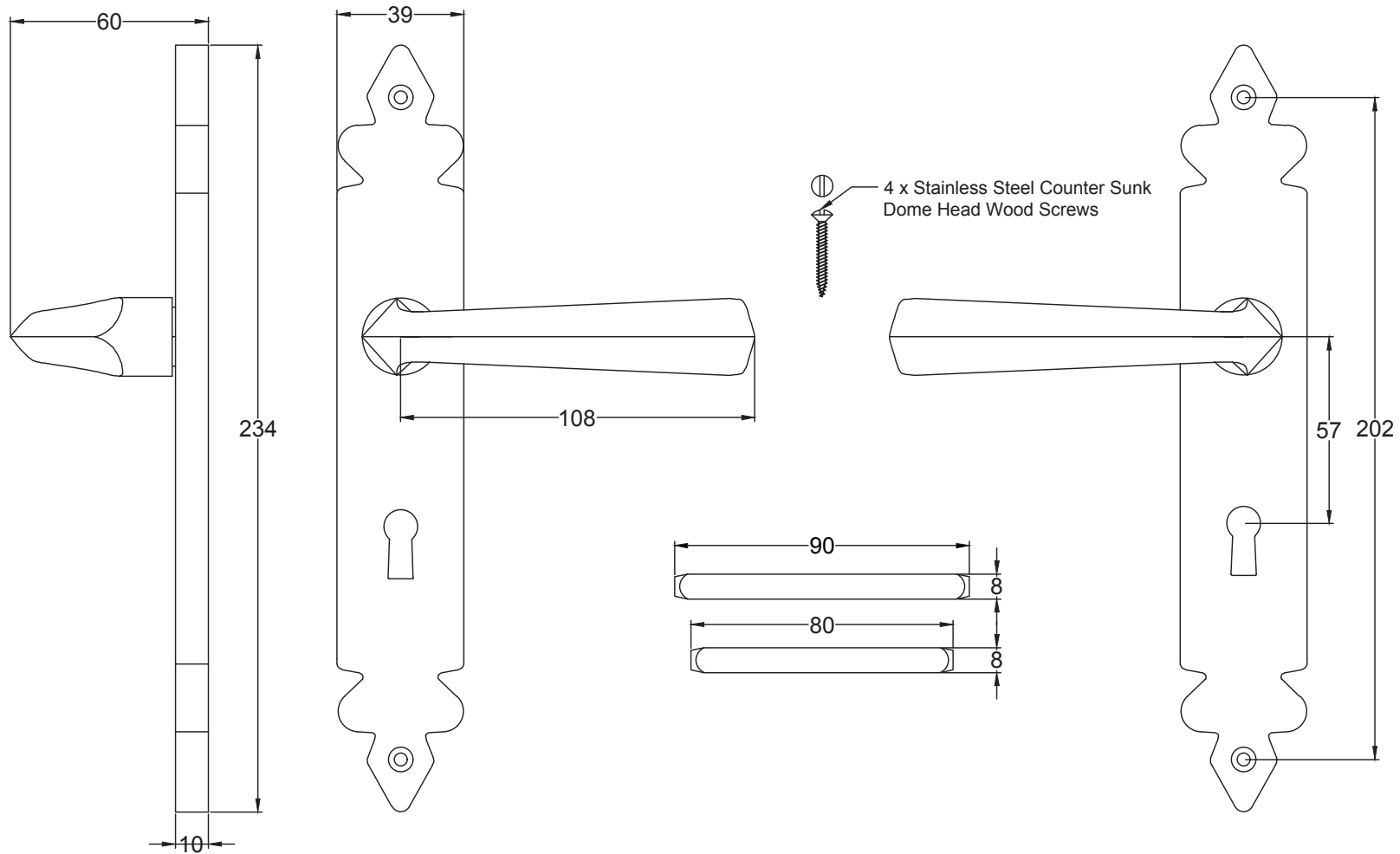
Lever Euro Handle

Euro Lock Cylinder

Sash 5 Lever Lock

Butt Hinges

Sash 3 Lever Lock



Web: www.suffolklatchcompany.co.uk
 Email: info@suffolklatchcompany.co.uk
 Tel: 01787 277277

Suffolk Latch Company Ltd
 Unit B
 Clare
 Suffolk
 CO10 8QD

Scale: 1:2

SKU: UK-FB3600

Date: 25/01/2019

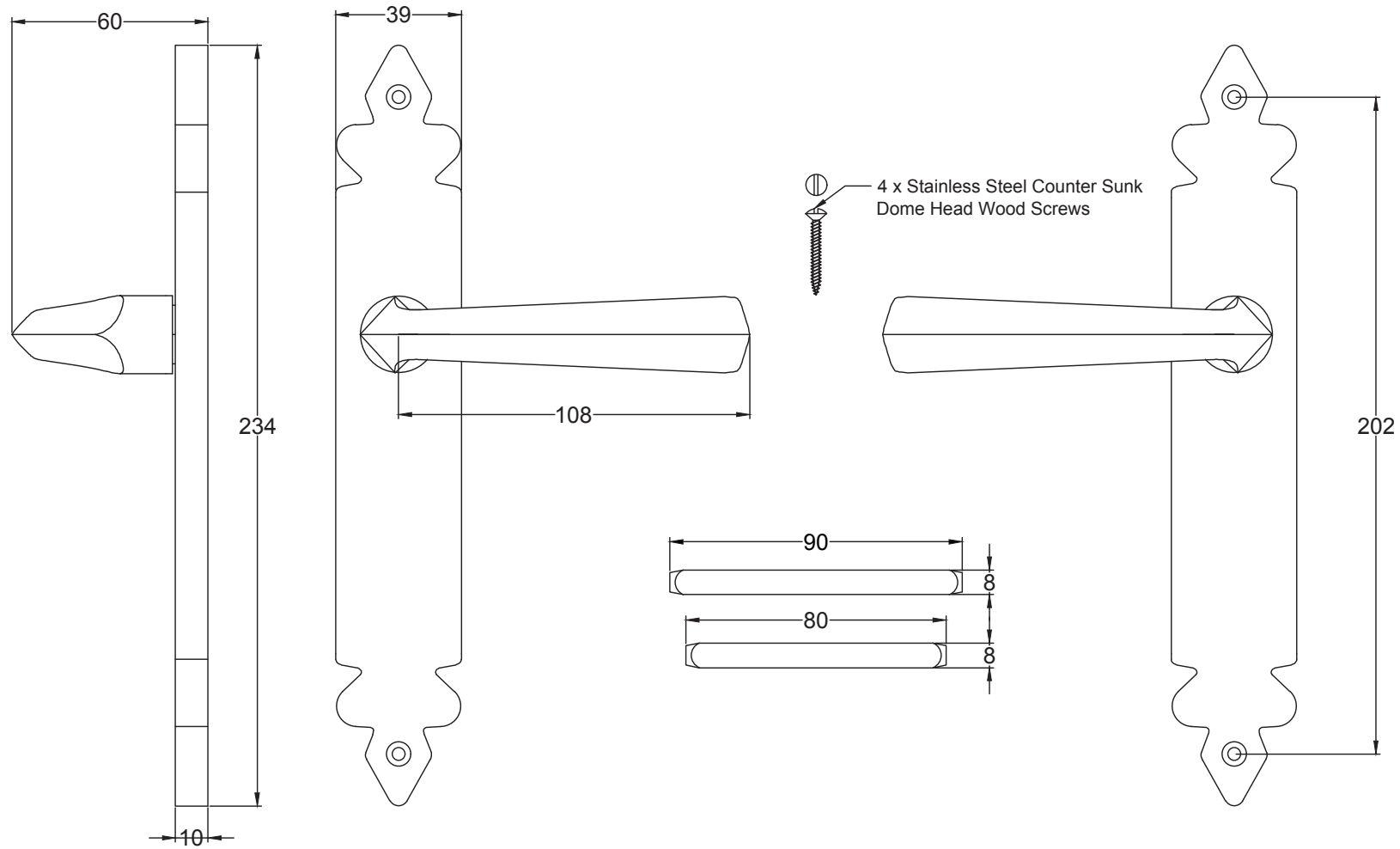
Drawn By: Carl Benson

Product Name: Ironbridge BS 57mm Lever Lock Handle.

Material / Colour: Cast Iron / Black Powder Coated

Pack Content 1; 2 x Handles. 2 x Mortice Bars, 4 x Black Stainless Steel Screws

Suffolk Latch Co
suffolklatchcompany.co.uk



Web: www.suffolklatchcompany.co.uk
 Email: info@suffolklatchcompany.co.uk
 Tel: 01787 277277

Suffolk Latch Company Ltd
 Unit B
 Clare
 Suffolk
 CO10 8QD

Scale: 1:2

SKU: UK-FB3610

Date: 03/03/2020

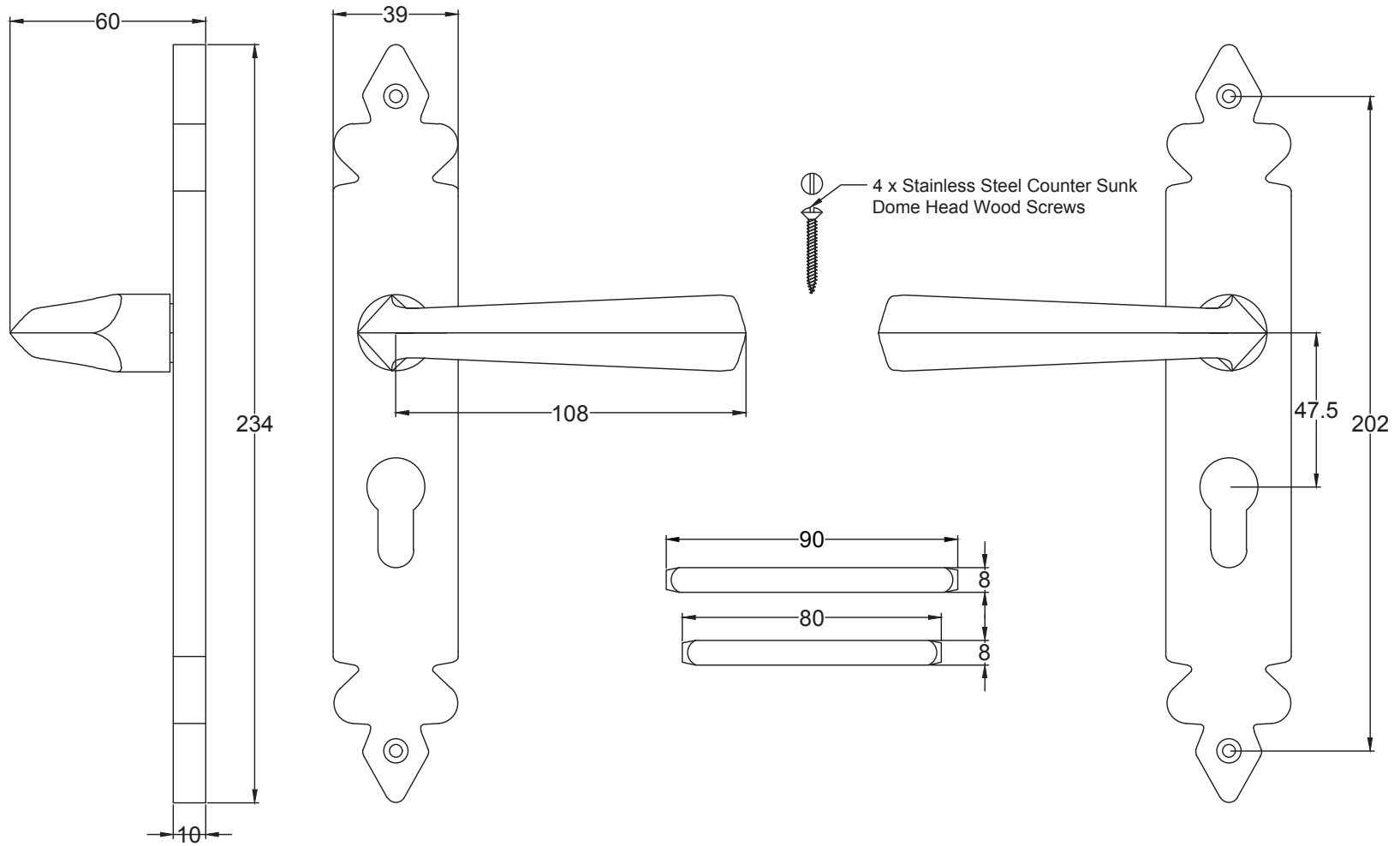
Drawn By: Carl Benson

Product Name: Ironbridge Lever Latch Handle.

Material / Colour: Cast Iron / Black Powder Coated

Pack Content 1; 2 x Handles. 2 x Mortice Bars, 4 x Black Stainless Steel Screws

Suffolk Latch Co
suffolklatchcompany.co.uk



Web: www.suffolklatchcompany.co.uk
 Email: info@suffolklatchcompany.co.uk
 Tel: 01787 277277

Suffolk Latch Company Ltd
 Unit B
 Clare
 Suffolk
 CO10 8QD

Scale: 1:2

SKU: UK-FB3648

Date: 25/01/2019

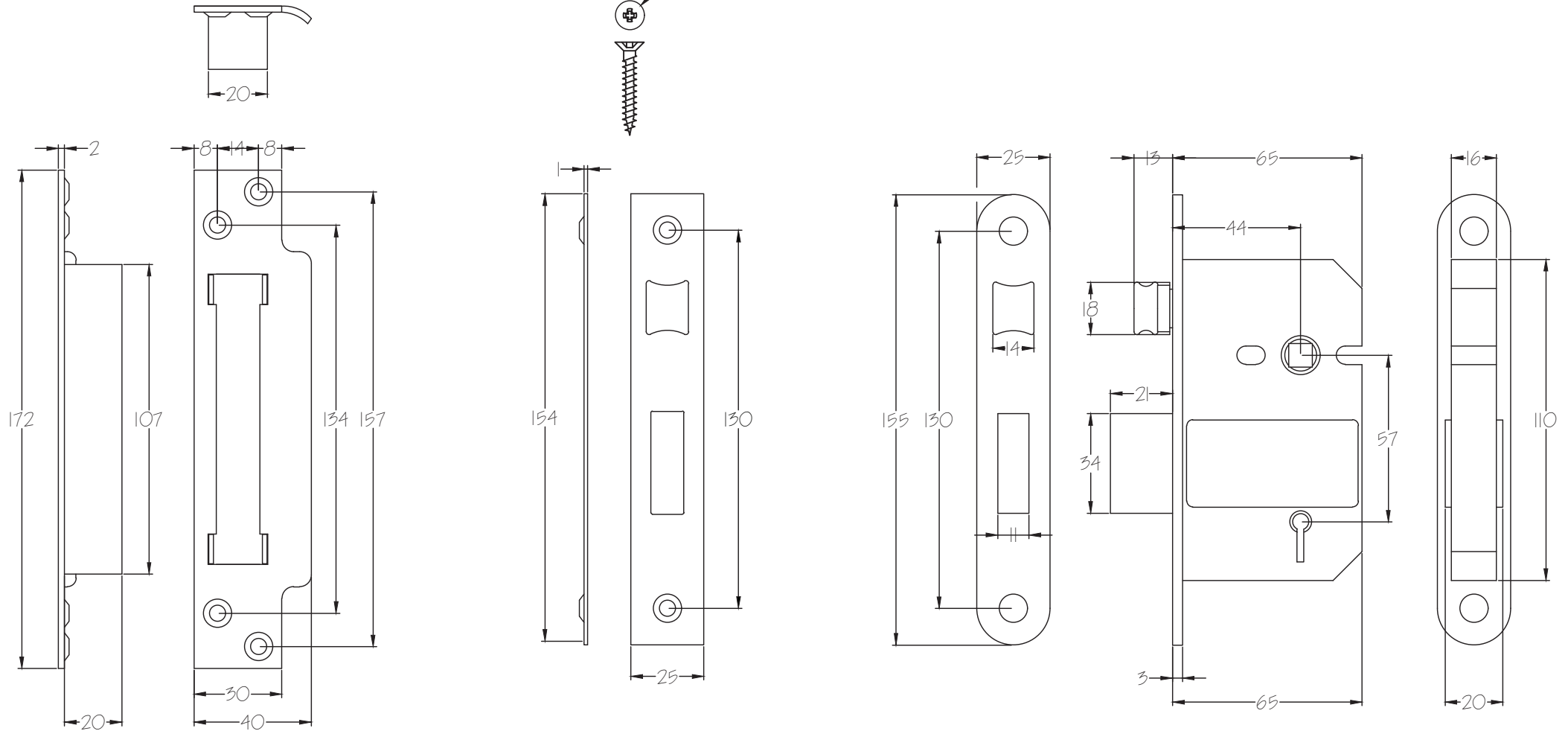
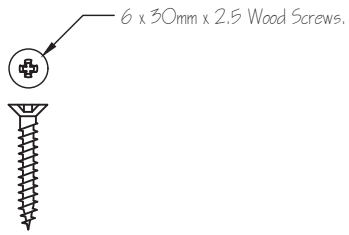
Drawn By: Carl Benson

Product Name: Ironbridge Euro Profile Lever Lock Handle.

Material / Colour: Cast Iron / Black Powder Coated

Pack Content1; 2 x Handles. 2 x Mortice Bars, 4 x Black Stainless Steel Screws

Suffolk Latch Co
suffolklatchcompany.co.uk



Web: www.suffolklatchcompany.co.uk
 Email: info@suffolklatchcompany.co.uk
 Tel: 01787 277277

Suffolk Latch Company Ltd
 Unit B
 Clare
 Suffolk
 CO10 8QD

Scale: 1:2

SKU: LAL5503

Date: 31/01/2019

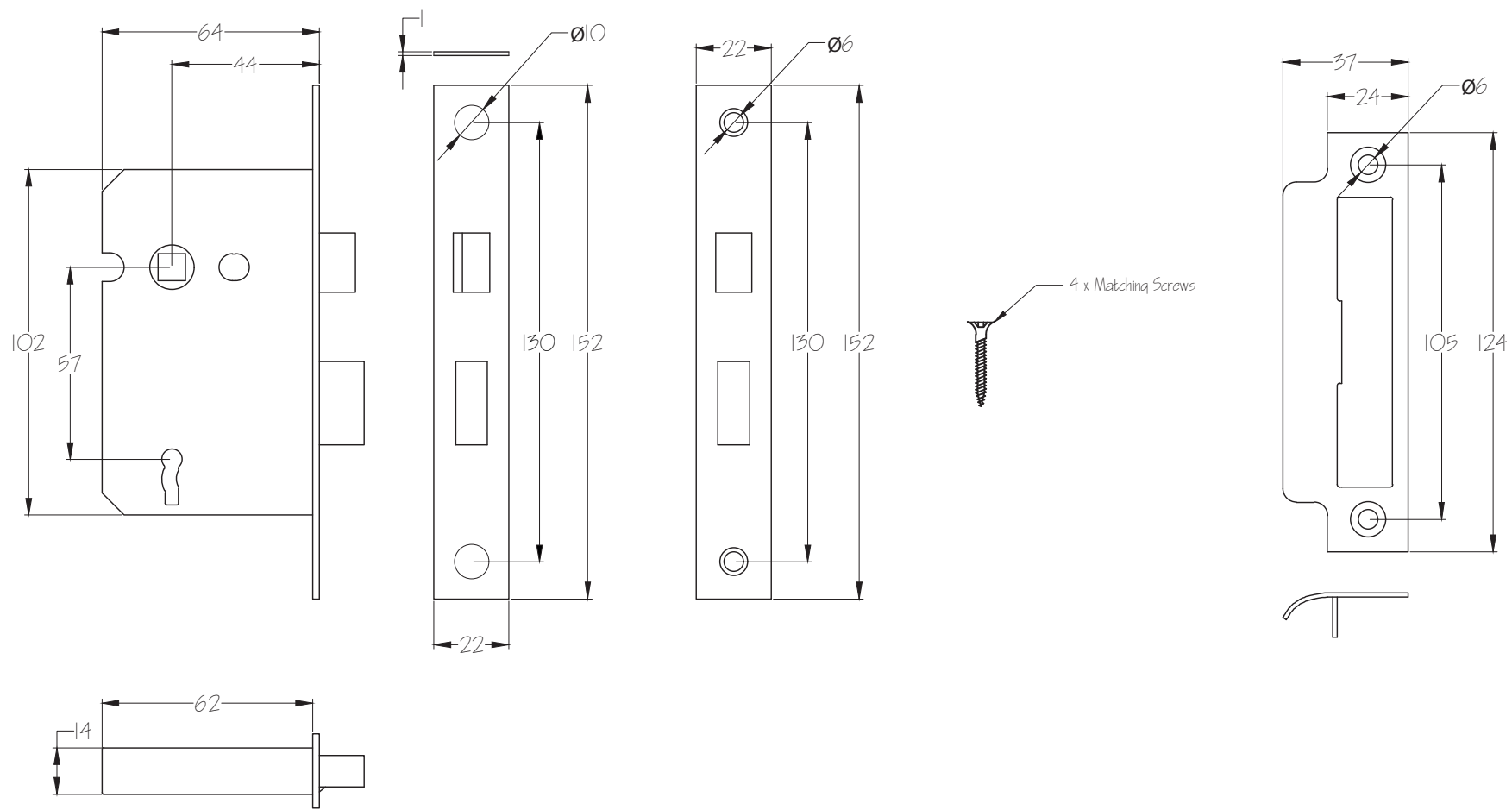
Drawn By: Carl Benson

Product Name :British Standard B53621 5 Lever Sash Lock 2.5"

Material / Colour: Hardened Steel/ Satin Nickel

Pack Content: 1 x 5 Lever Lock, 2 x Keys, 1 x Forend, 1 x Box Striker, 6 x Wood Screws.

Suffolk Latch Co
suffolklatchcompany.co.uk



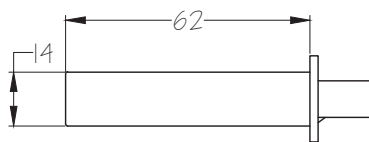
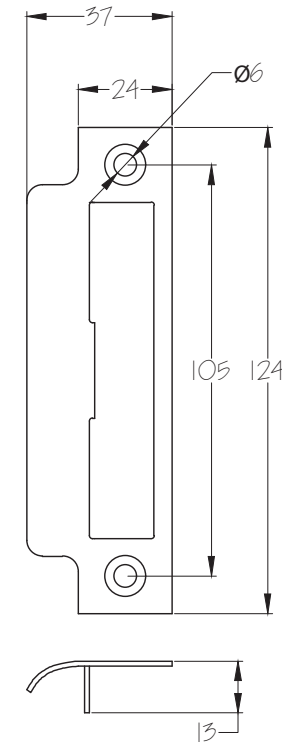
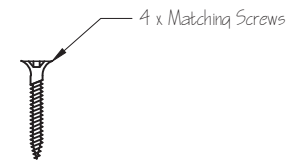
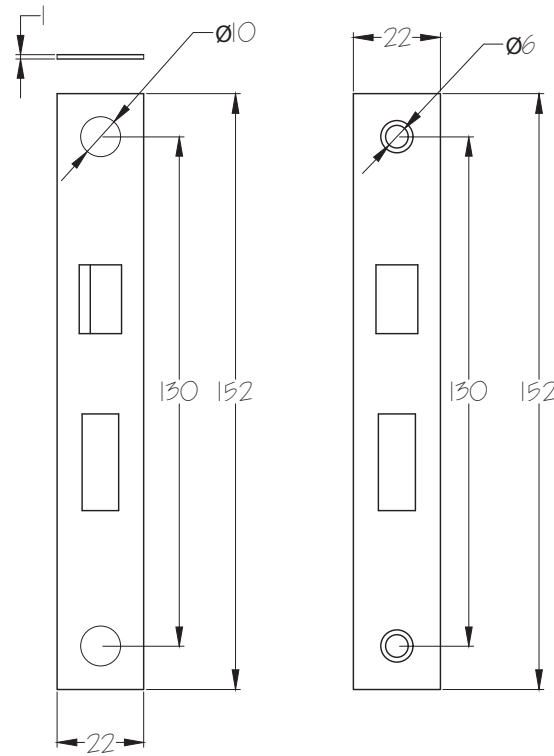
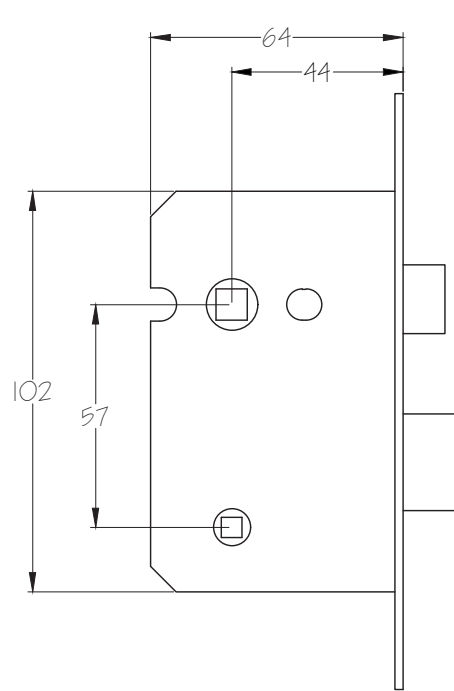
Web: www.suffolklatchcompany.co.uk
 Email: info@suffolklatchcompany.co.uk
 Tel: 01787 277277

Suffolk Latch Company Ltd
 Unit B
 Clare
 Suffolk
 CO10 8QD

Scale: 1:2
 SKU: LAL1450-EXB-2.5
 Date: 29/08/2018
 Drawn By: Carl Benson

Product Name: Epoxy Black Sashlock 2.5 Inch Fire Rated CE11Z1
 Material / Colour: Mild Steel with Epoxy Black Forends.
 Pack Content: 1 x Sashlock, Keeper, Separate Forend, 2 x Keys & Matching Screws.





Web: www.suffolklatchcompany.co.uk
 Email: info@suffolklatchcompany.co.uk
 Tel: 01787 217217

Suffolk Latch Company Ltd
 Unit B
 Clare
 Suffolk
 CO10 8QP

Scale: 1:2

SKU: LAL1422-EXB-2.5

Date: 29/08/2018

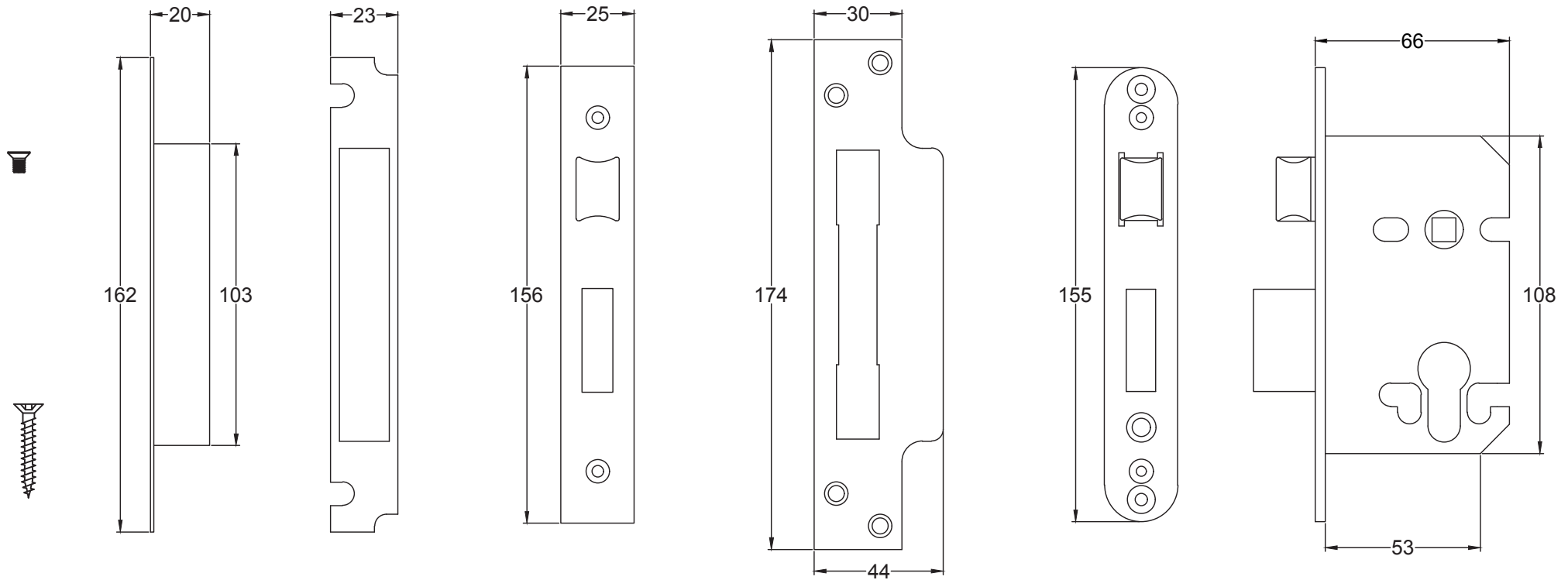
Drawn By: Carl Benson

Product Name: Fire Rated Bathroom Lock 2.5 Inch Fire Rated CEI121

Material / Colour: Mild Steel with Black Forend

Pack Content: 1 x Mortice Bathroom Lock, Keeper, Seperate Forend & Matching Screws.





Web: www.suffolklatchcompany.co.uk
 Email: info@suffolklatchcompany.co.uk
 Tel: 01787 277277

Suffolk Latch Company Ltd
 Unit B
 Clare
 Suffolk
 CO10 8QD

Scale: 1:1

SKU: HRBG

Date: 31/12/2018

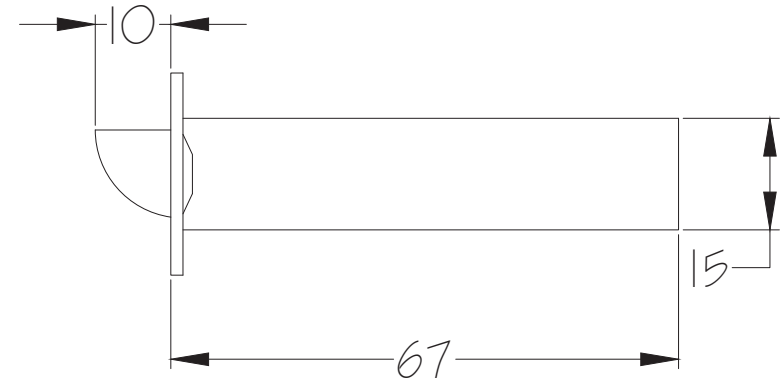
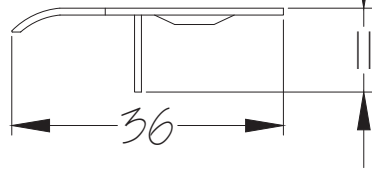
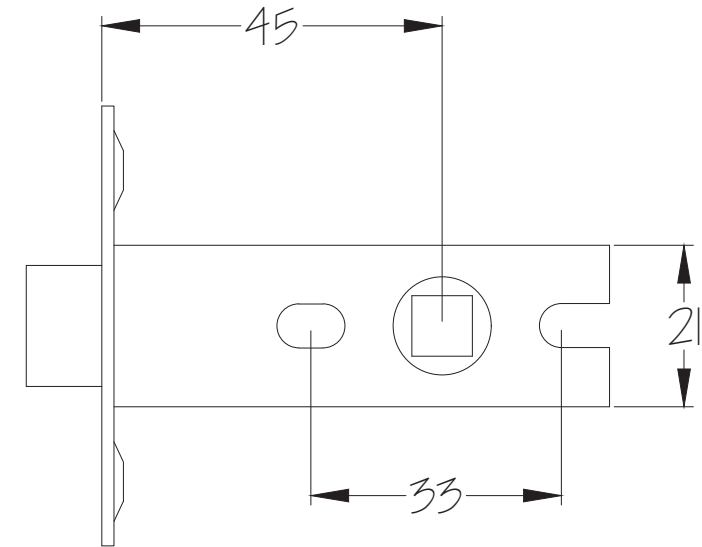
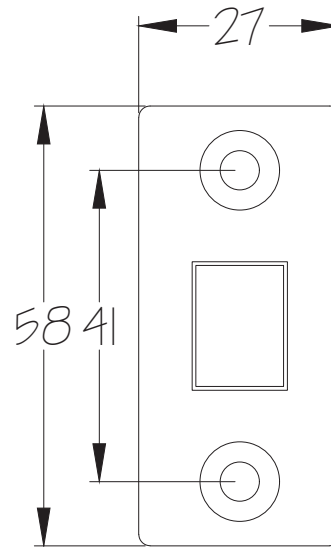
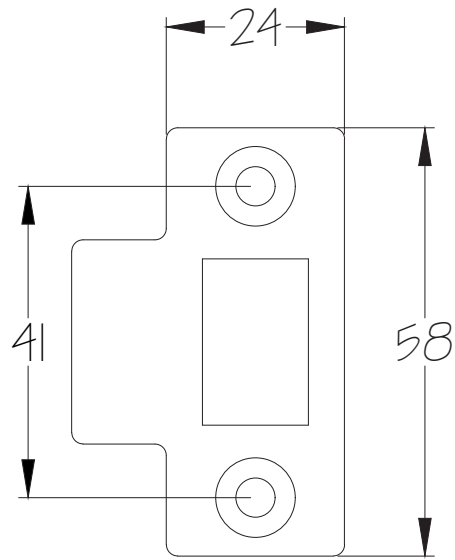
Drawn By: Carl Benson

Product Name: Super Euro Sash Lock 2.5"

Material / Colour: Mild Steel/Chrome Fittings

Pack Content1; 1 x Euro Sash Body, 1 x Keeper, 1 x Forend, 1 x Black Chip Box, Matching Wood Screws.

Suffolk Latch Co
suffolklatchcompany.co.uk



4 x Matching Screws

Web: www.suffolklatchcompany.co.uk
 Email: info@suffolklatchcompany.co.uk
 Tel: 01787 277277

Suffolk Latch Company Ltd
 Unit B
 Clare
 Suffolk
 CO10 8QP

Scale: 1:1

SKU: LAL0081-EXB-2.5

Date: 30/08/2018

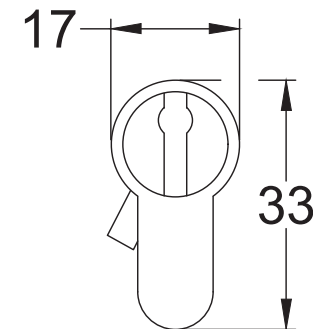
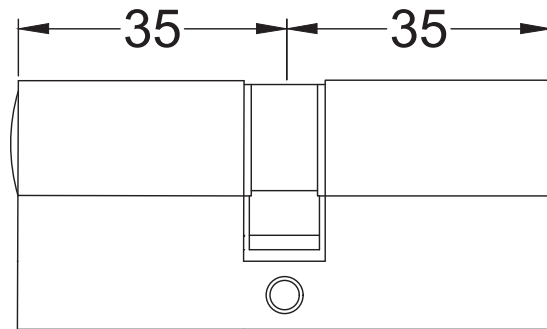
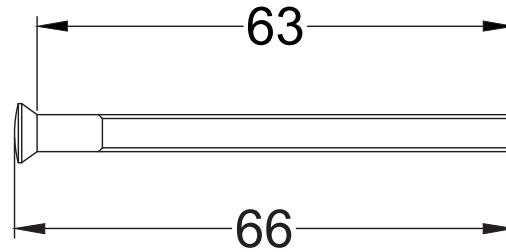
Drawn By: Carl Benson

Product Name: Bolt Through Tubular Latch 2.5 Inch Fire Rated CEI121

Material / Colour: Mild Steel with Black Forend

Pack Content: 1 x Tubular Latch, 1 x Keeper, 4 x wood screws.

Suffolk Latch Co
suffolklatchcompany.co.uk



Web: www.suffolkatchcompany.co.uk
 Email: info@suffolkatchcompany.co.uk
 Tel: 01787 277277

Suffolk Latch Company Ltd
 Unit B
 Clare
 Suffolk
 CO10 8QD

Scale: 1:1

SKU: UK-YKCSLE29.C

Date: 25/01/2019

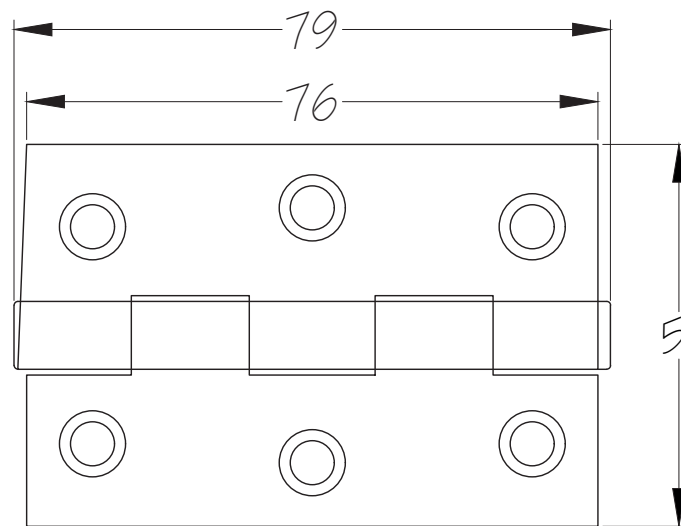
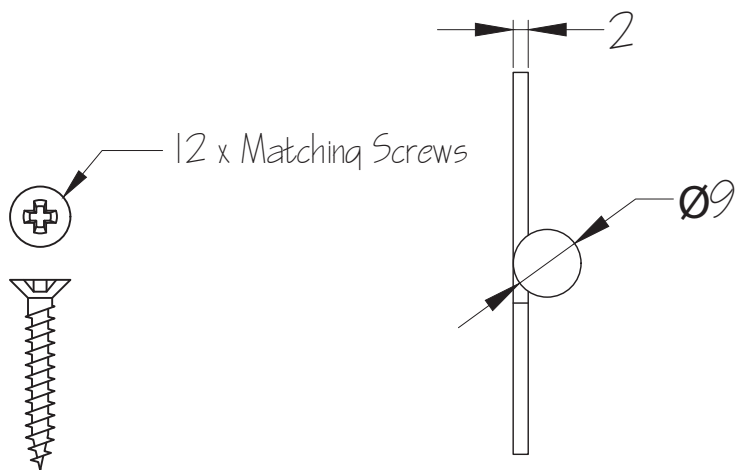
Drawn By: Carl Benson

Product Name: Euro Sash Lock Body 35 x 35mm

Material / Colour: Stainless Steel/Chrome Finish

Pack Content 1; 1 x Euro Profile Cylinder, 1 x Fixing Bolt, 3 x Spare Keys.

Suffolk Latch Co
suffolkatchcompany.co.uk



Web: www.suffolklatchcompany.co.uk
 Email: info@suffolklatchcompany.co.uk
 Tel: 01787 277277

Suffolk Latch Company Ltd
 Unit B
 Clare
 Suffolk
 CO10 8QP

Scale: 1:1

SKU: 2020BT-BZP-3

Date: 01/09/2018

Drawn By: Carl Benson

Product Name: 3 Inch Steel Butt hinge, Button Tip Bright Zinc Plate, Fire Rated CE1121.

Material / Colour: Steel With Bright Zinc Plate Finish.

Pack Content: 2 x Hinges 12 x Matching Screws..

Suffolk Latch Co
suffolklatchcompany.co.uk