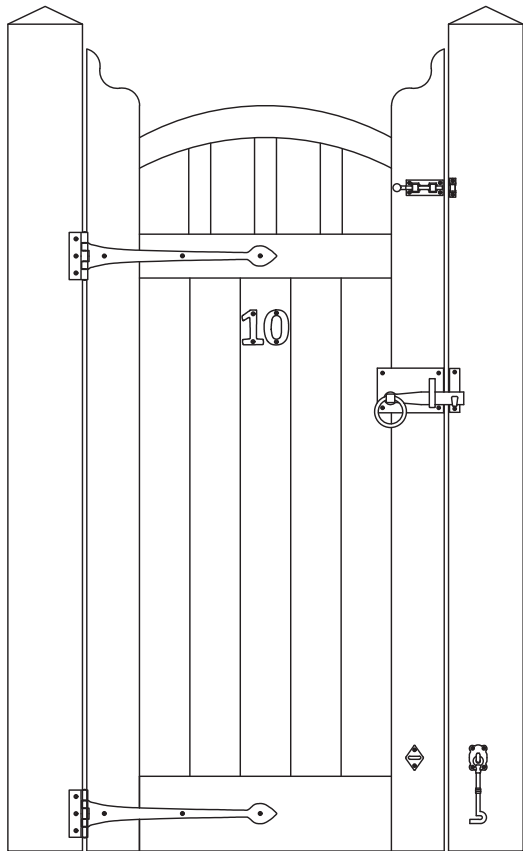
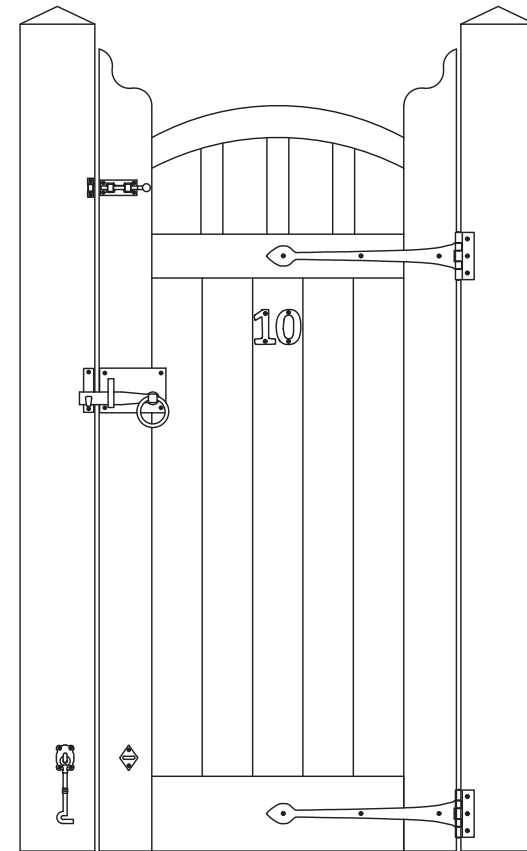


If you are facing the gate and it is hinged on the left hand side and it opens towards you, then you will require the left hand latch.



Left Hand Latch

If you are facing the gate and it is hinged on the right hand side and it opens towards you, then you will require the right hand latch.



Right Hand Latch

Web: www.suffolklatchcompany.co.uk
Email: info@suffolklatchcompany.co.uk
Tel: 01787 277277

Suffolk Latch Company Ltd
Unit B
Clare
Suffolk
CO10 8QD

Scale: N/A

SKU: N/A

Date: 30/08/2019

Drawn By: Carl Benson

Handing instructions for cast iron cottage latches.

Suffolk Latch Co
suffolklatchcompany.co.uk