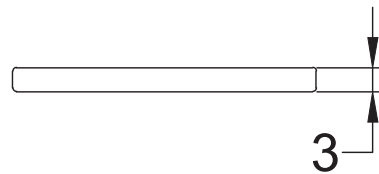


2 x 3mm x 12mm SS Slotted Wood Screws



Web: [www.suffolkatchcompany.co.uk](http://www.suffolkatchcompany.co.uk)  
Email: [info@suffolkatchcompany.co.uk](mailto:info@suffolkatchcompany.co.uk)  
Tel: 01787 277277

Suffolk Latch Company Ltd  
Unit B, Bridewell Ind Est  
Clare  
Suffolk  
CO10 8QD

Scale: 1:2

SKU: UKS-FB113

Date: 10/10/2019

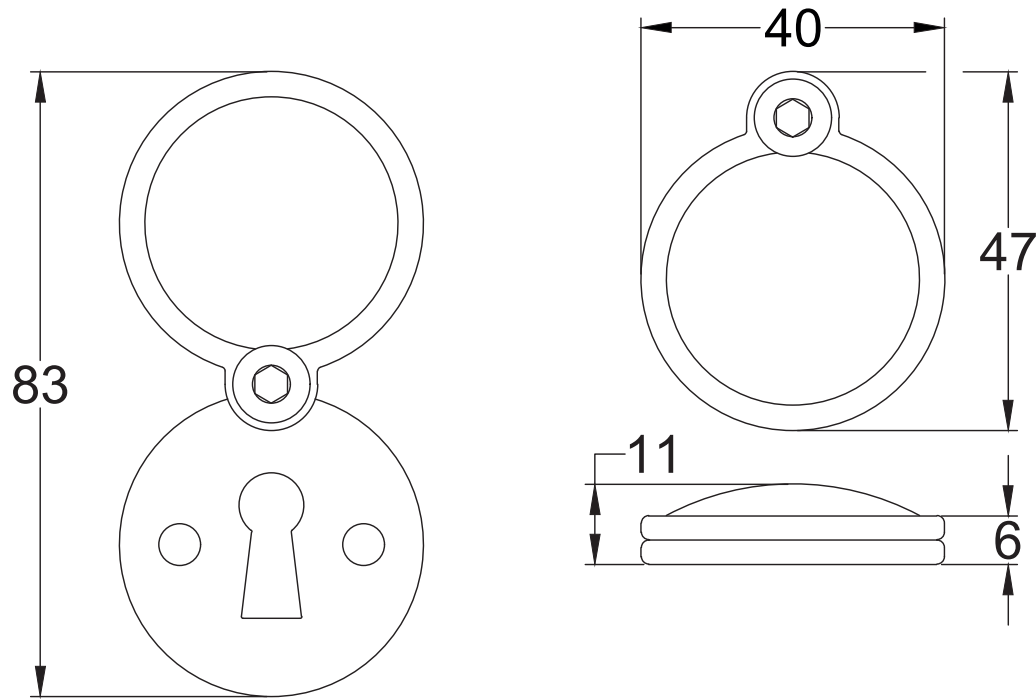
Drawn By: Carl Benson

Product Name : Round Uncovered Escutcheon

Material / Colour: Flat Black/Drop Forged Steel.

Pack Content: 1 x Round Escutcheon and 2 x Stainless Wood Screws

**Suffolk Latch Co**  
[suffolkatchcompany.co.uk](http://suffolkatchcompany.co.uk)



2 x 3mm x 12mm SS  
Slotted Wood Screws

Web: [www.suffolkatchcompany.co.uk](http://www.suffolkatchcompany.co.uk)  
Email: [info@suffolkatchcompany.co.uk](mailto:info@suffolkatchcompany.co.uk)  
Tel: 01787 277277

Suffolk Latch Company Ltd  
Unit B, Bridewell Ind Est  
Clare  
Suffolk  
CO10 8QD

Scale: 1:2

SKU: UKS-FB114

Date: 10/10/2019

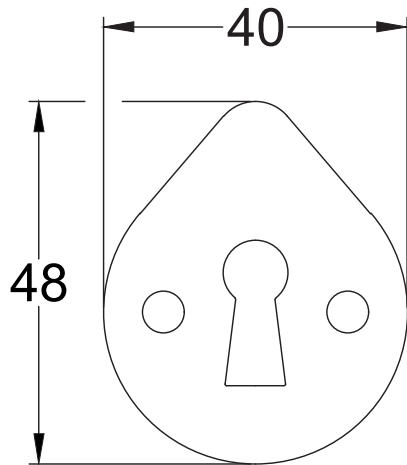
Drawn By: Carl Benson

Product Name : Round Covered Escutcheon.

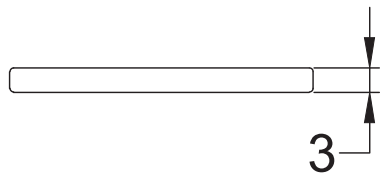
Material / Colour: Flat Black/Drop Forged Steel.

Pack Content: 1 x Round Covered Escutcheon and 2 x Stainless Wood Screws

**Suffolk Latch Co**  
suffolkatchcompany.co.uk



2 x 3mm x 12mm SS Slotted Wood Screws



Web: [www.suffolkatchcompany.co.uk](http://www.suffolkatchcompany.co.uk)  
Email: [info@suffolkatchcompany.co.uk](mailto:info@suffolkatchcompany.co.uk)  
Tel: 01787 277277

Suffolk Latch Company Ltd  
Unit B, Bridewell Ind Est  
Clare  
Suffolk  
CO10 8QD

Scale: 1:2

SKU: UKS-FB115

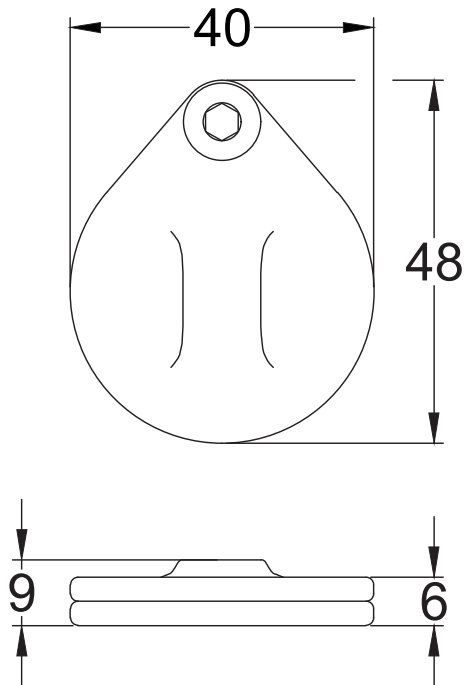
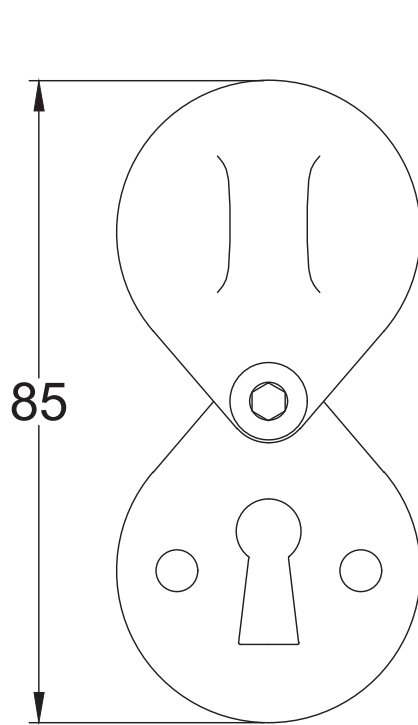
Date: 10/10/2019

Drawn By: Carl Benson

Product Name : Oval Escutcheon.

Material / Colour: Flat Black/Drop Forged Steel.

Pack Content: 1 x Oval Escutcheon and 2 x Stainless Wood Screws



2 x 3mm x 12mm SS  
Slotted Wood Screws

Web: [www.suffolkatchcompany.co.uk](http://www.suffolkatchcompany.co.uk)  
Email: [info@suffolkatchcompany.co.uk](mailto:info@suffolkatchcompany.co.uk)  
Tel: 01787 277277

Suffolk Latch Company Ltd  
Unit B, Bridewell Ind Est  
Clare  
Suffolk  
CO10 8QD

Scale: 1:2

SKU: UKS-FB116

Date: 10/10/2019

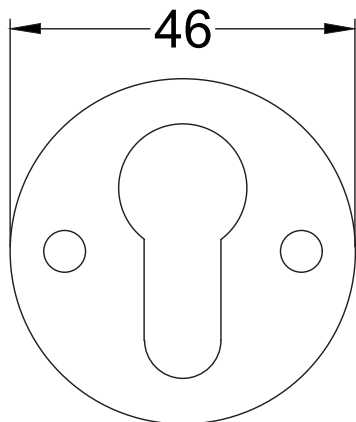
Drawn By: Carl Benson

Product Name : Oval Covered Escutcheon.

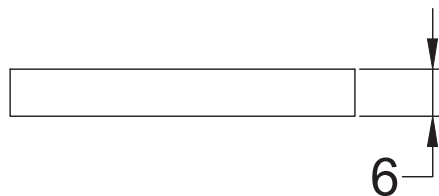
Material / Colour: Flat Black/Drop Forged Steel.

Pack Content: 1 x Oval Covered Escutcheon and 2 x Stainless Wood Screws

**Suffolk Latch Co**  
[suffolkatchcompany.co.uk](http://suffolkatchcompany.co.uk)



2 x 3mm x 12mm SS Slotted Wood Screws



Web: [www.suffolkatchcompany.co.uk](http://www.suffolkatchcompany.co.uk)  
Email: [info@suffolkatchcompany.co.uk](mailto:info@suffolkatchcompany.co.uk)  
Tel: 01787 277277

Suffolk Latch Company Ltd  
Unit B, Bridewell Ind Est  
Clare  
Suffolk  
CO10 8QD

Scale: 1:2

SKU: UKS-FB1090

Date: 10/10/2019

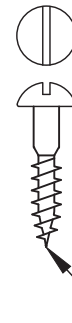
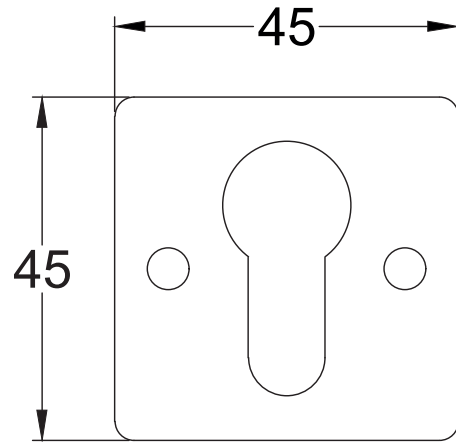
Drawn By: Carl Benson

Product Name : Round Euro Profile Escutcheon.

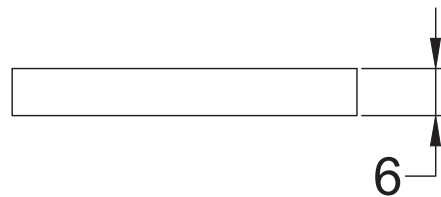
Material / Colour: Flat Black/Drop Forged Steel.

Pack Content: 1 x Euro Profile Round Escutcheon and 2 x Stainless Wood Screws.

**Suffolk Latch Co**  
[suffolkatchcompany.co.uk](http://suffolkatchcompany.co.uk)



2 x 3mm x 12mm SS Slotted Wood Screws



Web: [www.suffolkatchcompany.co.uk](http://www.suffolkatchcompany.co.uk)  
Email: [info@suffolkatchcompany.co.uk](mailto:info@suffolkatchcompany.co.uk)  
Tel: 01787 277277

Suffolk Latch Company Ltd  
Unit B, Bridewell Ind Est  
Clare  
Suffolk  
CO10 8QD

Scale: 1:2

SKU: UKS-FB1091

Date: 10/10/2019

Drawn By: Carl Benson

Product Name : Square Euro Profile Escutcheon.

Material / Colour: Flat Black/Drop Forged Steel.

Pack Content: 1 x Euro Profile Square Escutcheon and 2 x Stainless Wood Screws

**Suffolk Latch Co**  
[suffolkatchcompany.co.uk](http://suffolkatchcompany.co.uk)