

Web: [www.suffolklatchcompany.co.uk](http://www.suffolklatchcompany.co.uk)  
Email: [info@suffolklatchcompany.co.uk](mailto:info@suffolklatchcompany.co.uk)  
Tel: 01787 277277

Suffolk Latch Company Ltd  
Unit B  
Clare  
Suffolk  
CO10 8QD

Scale: 1:1

SKU: KOVA-P

Date: 11/11/2016

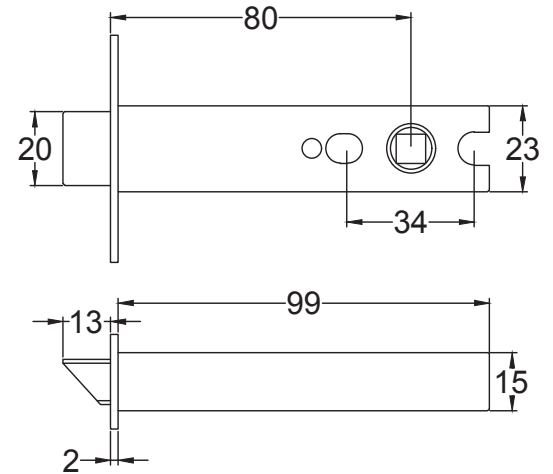
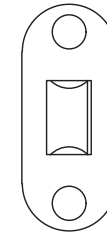
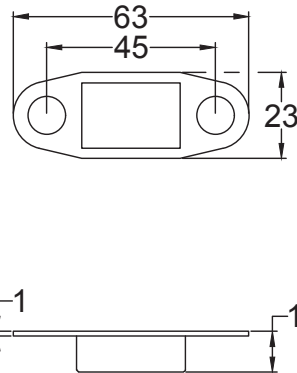
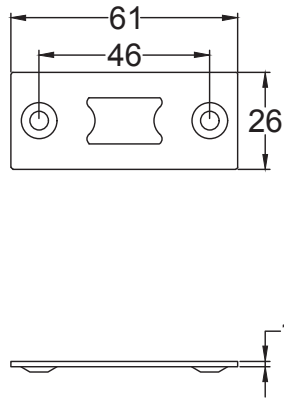
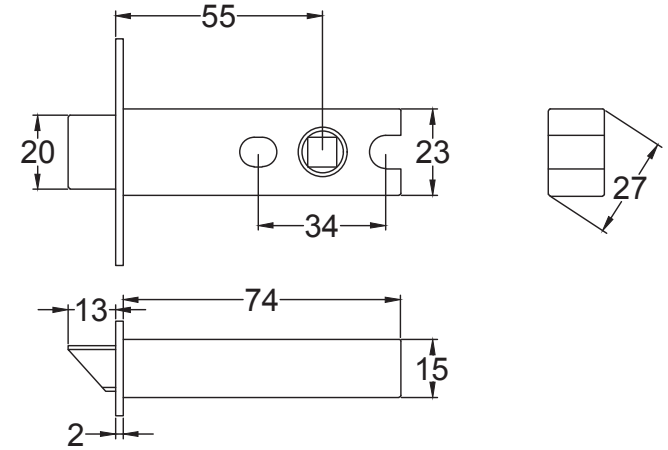
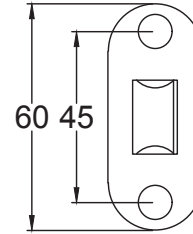
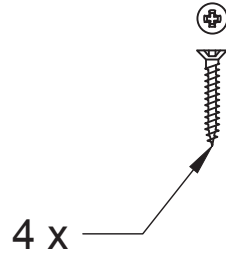
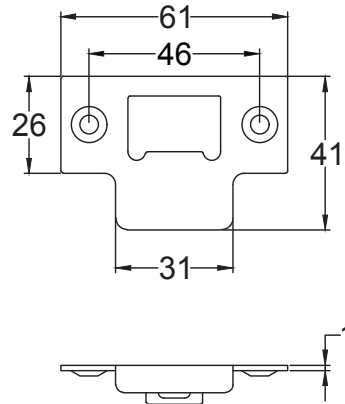
Drawn By: Carl Benson

Product Name: Cast Iron Oval Door Knob.

Material / Colour: Cast Iron, Pewter.

Pack Content: 2 x Knob. 2 X Rose plate. 2 x Escutcheon. 1 x Threaded Mortice Bar. Fixings.

**Suffolk Latch Co**  
[suffolklatchcompany.co.uk](http://suffolklatchcompany.co.uk)



Web: [www.suffolklatchcompany.co.uk](http://www.suffolklatchcompany.co.uk)  
 Email: [info@suffolklatchcompany.co.uk](mailto:info@suffolklatchcompany.co.uk)  
 Tel: 01787 277277

Suffolk Latch Company Ltd  
 Unit B  
 Clare  
 Suffolk  
 CO10 8QD

Scale: 1:2

SKU: See Listing

Date: 02/05/2019

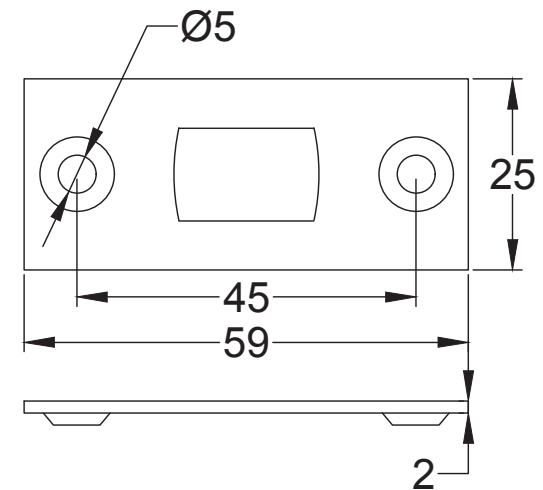
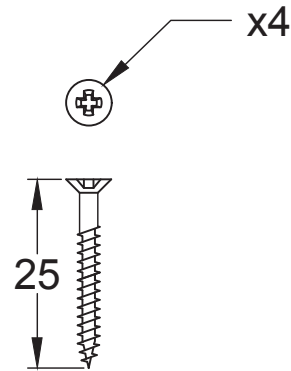
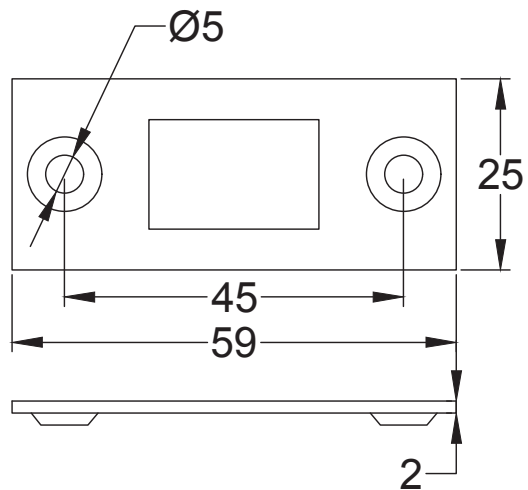
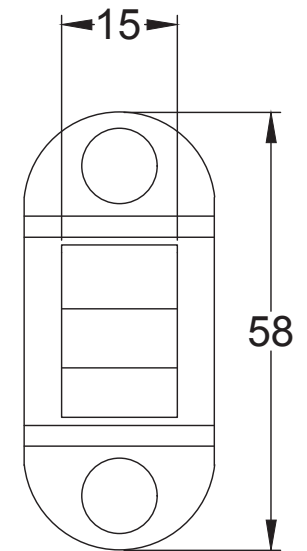
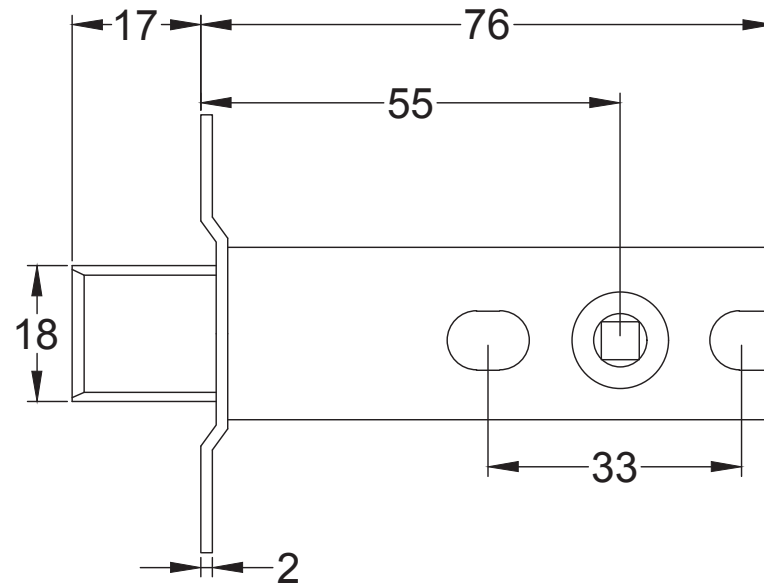
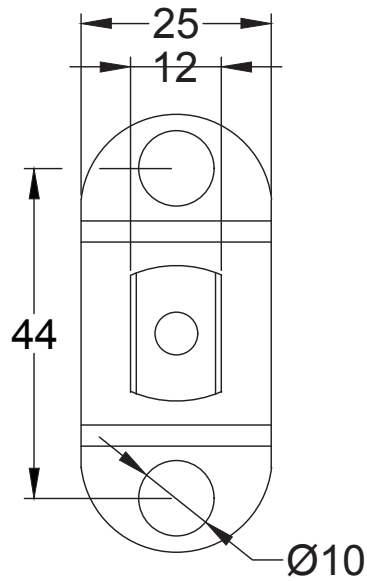
Drawn By: Carl Benson

Product Name. Heavy Duty Tubular Latch 4 & 3 Inch.

Material / Colour: Mild Steel/Zinc With Brass Fittings.

Pack Content: 1 x Dead Tubular Latch, 1 x Forend, 1 x Receiver, 1 x Dust Box 4 x Matching Fixings

**Suffolk Latch Co**  
[suffolklatchcompany.co.uk](http://suffolklatchcompany.co.uk)



Web: [www.suffolklatchcompany.co.uk](http://www.suffolklatchcompany.co.uk)  
 Email: [info@suffolklatchcompany.co.uk](mailto:info@suffolklatchcompany.co.uk)  
 Tel: 01787 277277

Suffolk Latch Company Ltd  
 Unit B  
 Clare  
 Suffolk  
 CO10 8QD

Scale: 1:1

SKU: LAL0905

Date: 18/04/2019

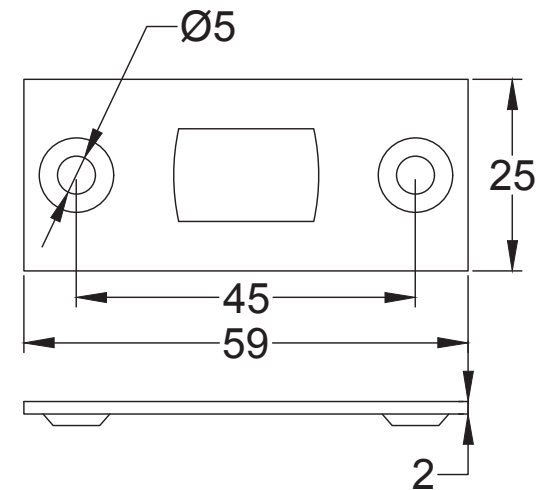
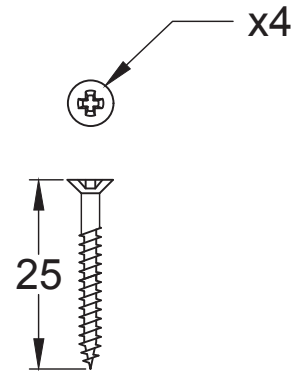
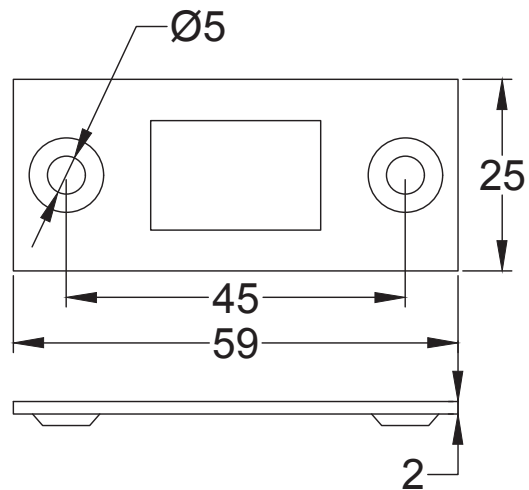
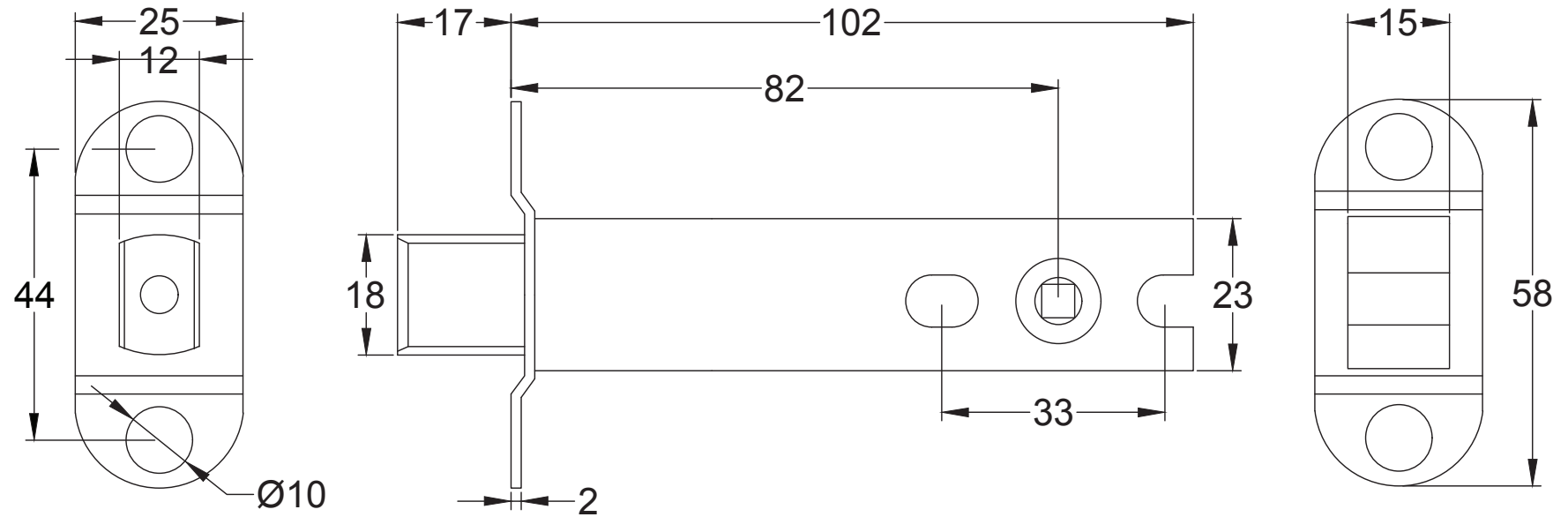
Drawn By: Carl Benson

Product Name. 3" Dead Bolt.

Material / Colour: Mild Steel/Zinc With Brass Fittings.

Pack Content: 1 x 4" Dead Bolt, 1 x Forend, 1 x Receiver, 4 x Matching Fixings.

**Suffolk Latch Co**  
[suffolklatchcompany.co.uk](http://suffolklatchcompany.co.uk)



Web: [www.suffolklatchcompany.co.uk](http://www.suffolklatchcompany.co.uk)  
 Email: [info@suffolklatchcompany.co.uk](mailto:info@suffolklatchcompany.co.uk)  
 Tel: 01787 277277

Suffolk Latch Company Ltd  
 Unit B  
 Clare  
 Suffolk  
 CO10 8QD

Scale: 1:1

SKU: LAL0906

Date: 18/04/2019

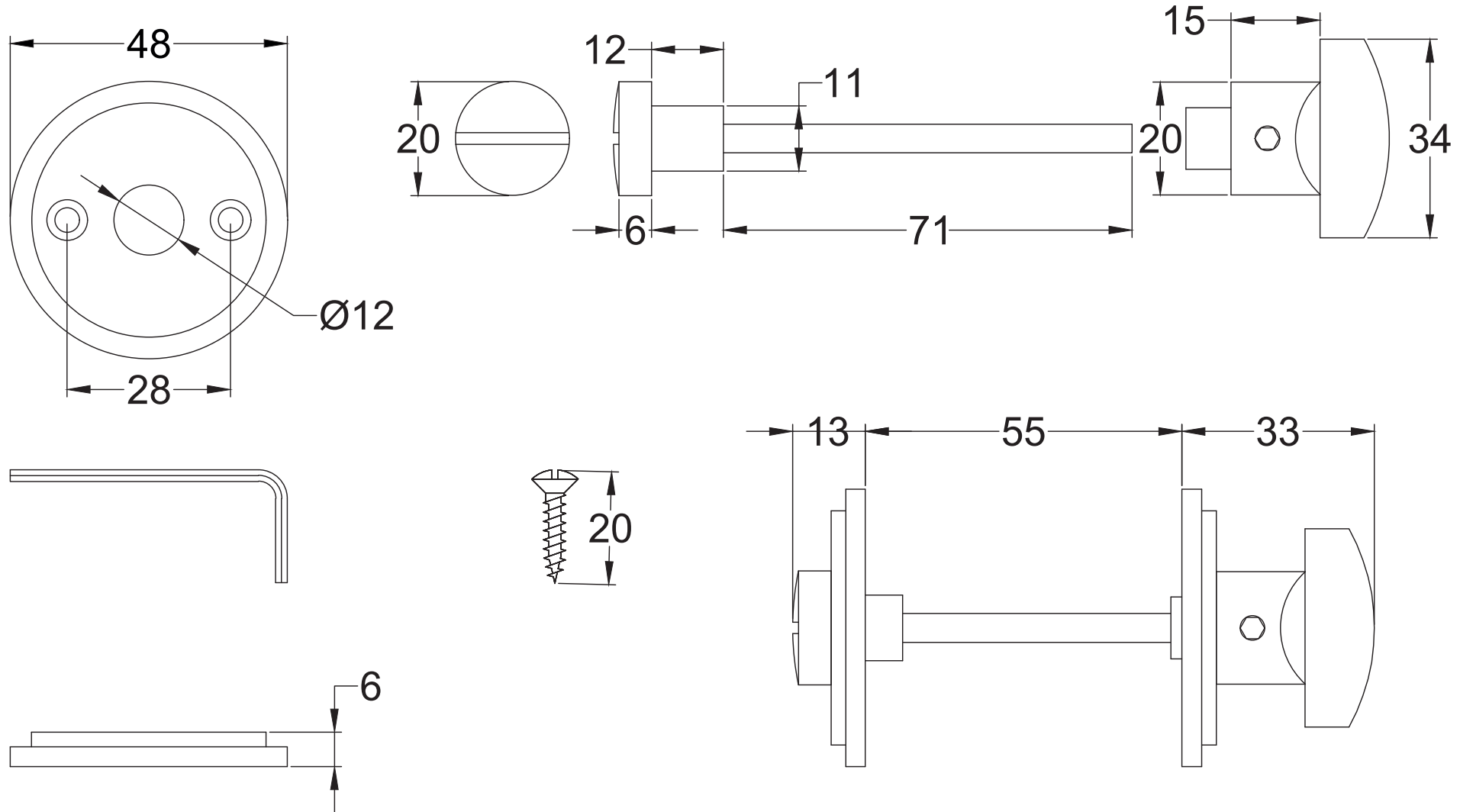
Drawn By: Carl Benson

Product Name. 4" Dead Bolt.

Material / Colour: Mild Steel/Zinc With Brass Fittings.

Pack Content: 1 x 4" Dead Bolt, 1 x Forend, 1 x Receiver, 4 x Matching Fixings.

**Suffolk Latch Co**  
[suffolklatchcompany.co.uk](http://suffolklatchcompany.co.uk)



Web: [www.suffolklatchcompany.co.uk](http://www.suffolklatchcompany.co.uk)  
 Email: [info@suffolklatchcompany.co.uk](mailto:info@suffolklatchcompany.co.uk)  
 Tel: 01787 277277

Suffolk Latch Company Ltd  
 Unit B  
 Clare  
 Suffolk  
 CO10 8QD

Scale: 1:1

SKU: BTHD-BLK-P

Date: 24/03/2020

Drawn By: Carl Benson

Product Name: Heavy Bathroom Turn & Release

Material / Colour: Pewter / Black Powder Coated

Pack Content. 2 x Rose, 1 x Release, 1 x Turn, 1 x Mortice Bar, 4 x Screws and 1 x Allen Key

**Suffolk Latch Co**  
[suffolklatchcompany.co.uk](http://suffolklatchcompany.co.uk)