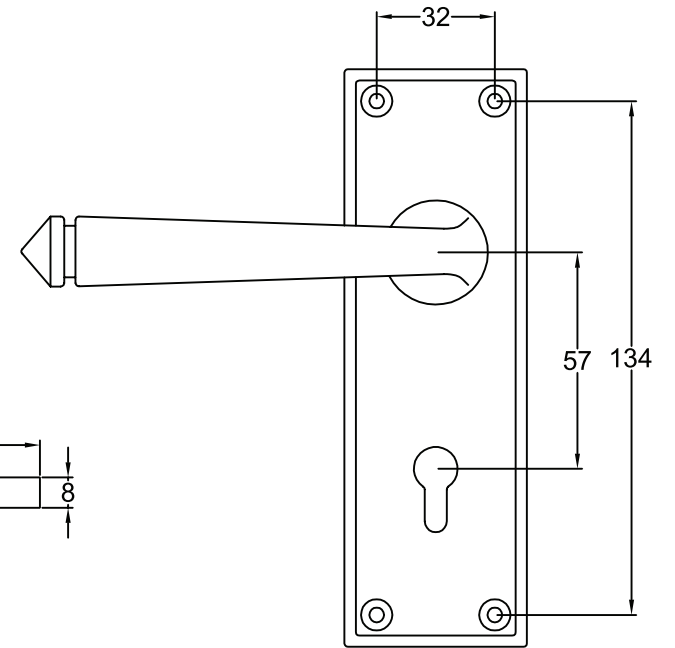
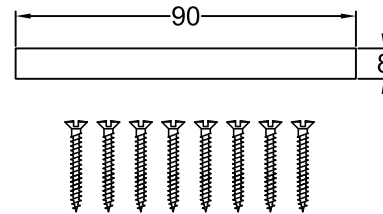
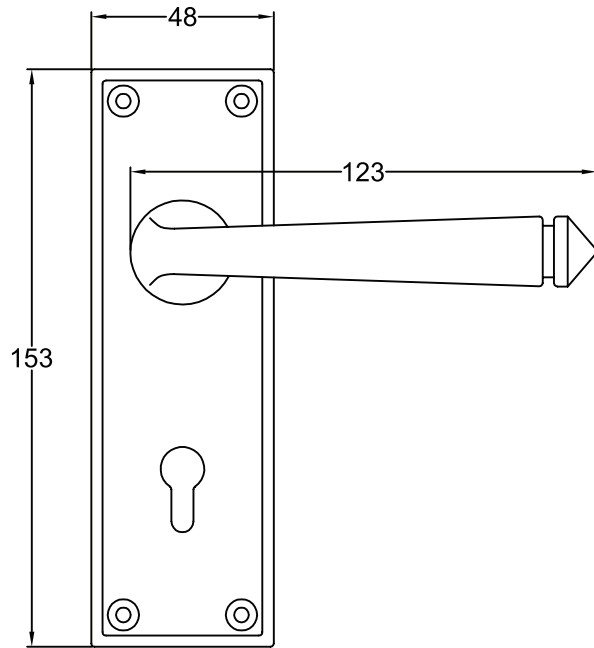
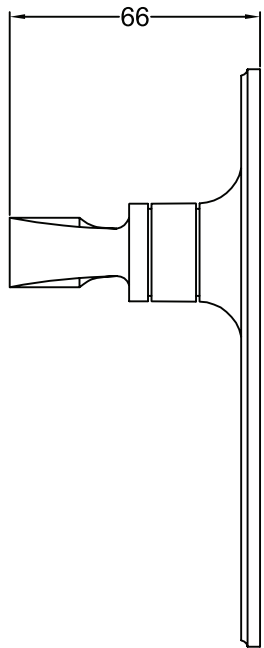


Web: www.suffolklatchcompany.co.uk
 Email: info@suffolklatchcompany.co.uk
 Tel: 01787 277277

Suffolk Latch Company Ltd
 Unit B
 Clare
 Suffolk
 CO10 8QD

Scale: 1:2
 SKU: HANAV01
 Date: 10/06/16
 Drawn By: Carl Benson

Product Name: Avon Latch handle
 Material / Colour: Cast iron / Black Powder Coat
 Pack Content: 2 x Handles, 1 x Mortice Bar, 8 x Wood Screws.



Web: www.suffolklockcompany.co.uk
 Email: info@suffolklockcompany.co.uk
 Tel: 01787 277277

Suffolk Latch Company Ltd
 Unit B
 Clare
 Suffolk
 CO10 8QD

Scale: 1:2

SKU: HANT02

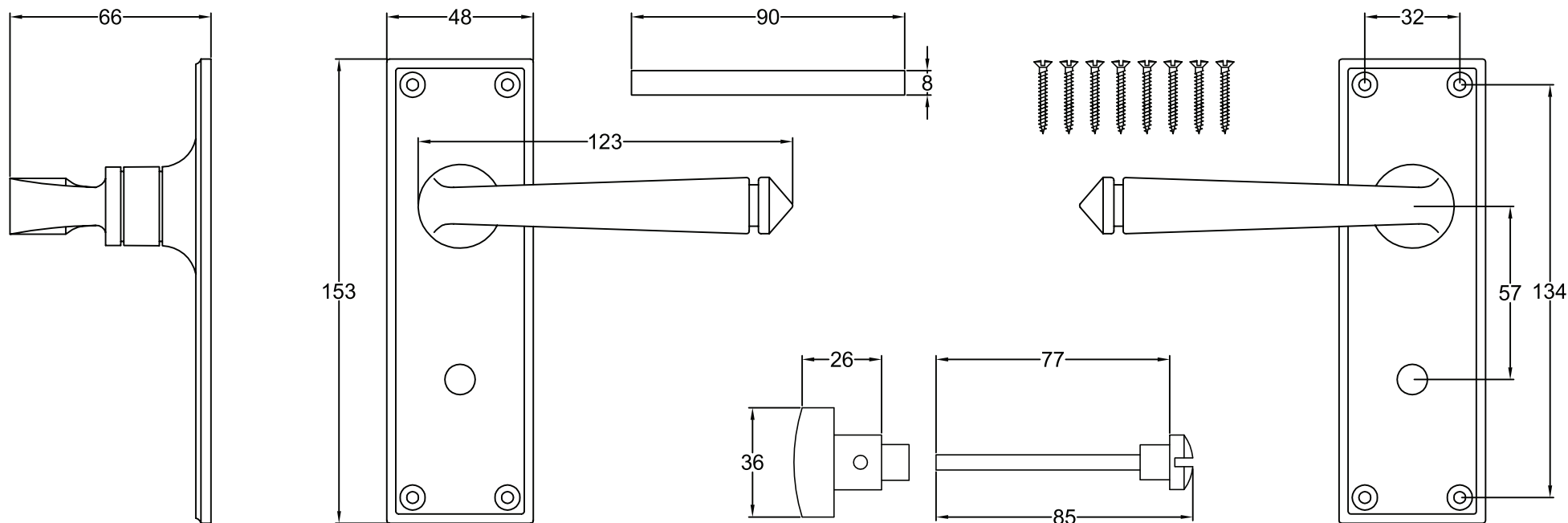
Date: 10/06/2016

Drawn By: Carl Benson

Product Name: Avon Lock Handle

Material / Colour: Cast iron / Black Powder Coat

Pack Content: 2 x Handles, 1 x Mortice Bar, 8 x Wood Screws.



Web: www.suffolklatchcompany.co.uk
 Email: info@suffolklatchcompany.co.uk
 Tel: 01787 277277

Suffolk Latch Company Ltd
 Unit B
 Clare
 Suffolk
 CO10 8QD

Scale: 1:2

SKU: HANT03

Date: 10/06/16

Drawn By: Carl Benson

Product Name: Avon Bathroom Handle

Material / Colour: Cast iron / Black Powder Coat

Pack Content: 2 x Handles, 1 x Mortice Bar, 8 x Wood Screws and 1 x Thumb Turn