

Web: [www.suffolklatchcompany.co.uk](http://www.suffolklatchcompany.co.uk)  
 Email: [info@suffolklatchcompany.co.uk](mailto:info@suffolklatchcompany.co.uk)  
 Tel: 01787 277277

Suffolk Latch Company Ltd  
 Unit B  
 Clare  
 Suffolk  
 CO10 8QD

Scale: 1:2

SKU: HANAV01

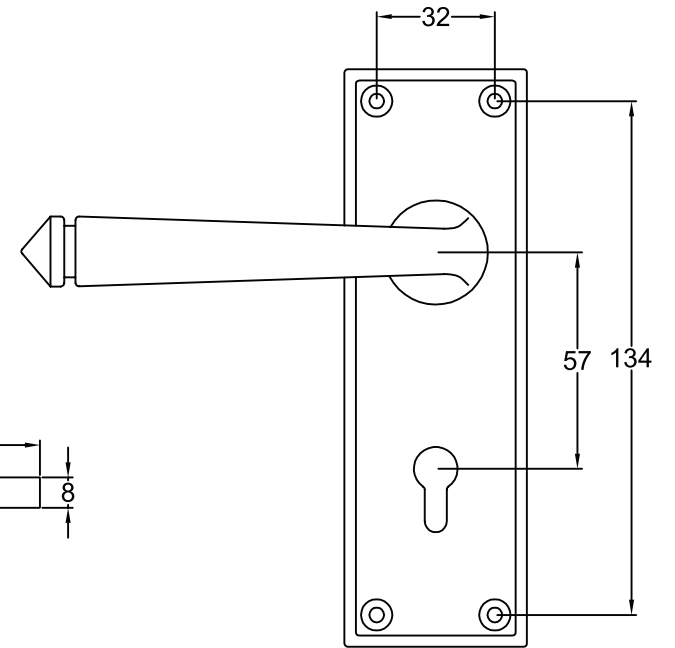
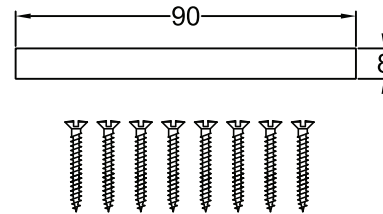
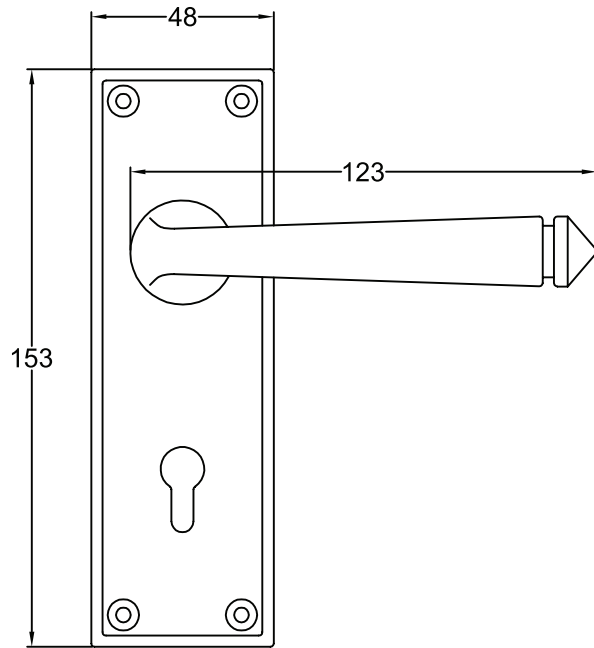
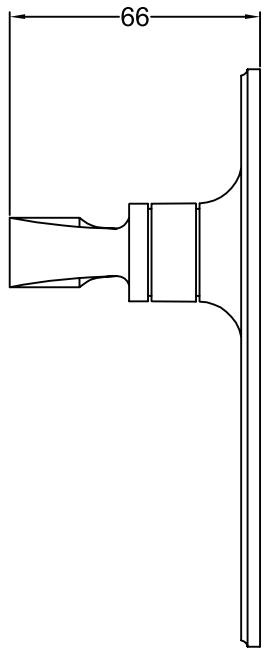
Date: 10/06/16

Drawn By: Carl Benson

Product Name: Avon Latch handle

Material / Colour: Cast iron / Black Powder Coat

Pack Content: 2 x Handles, 1 x Mortice Bar, 8 x Wood Screws.



Web: [www.suffolklockcompany.co.uk](http://www.suffolklockcompany.co.uk)  
 Email: [info@suffolklockcompany.co.uk](mailto:info@suffolklockcompany.co.uk)  
 Tel: 01787 277277

Suffolk Latch Company Ltd  
 Unit B  
 Clare  
 Suffolk  
 CO10 8QD

Scale: 1:2

SKU: HANT02

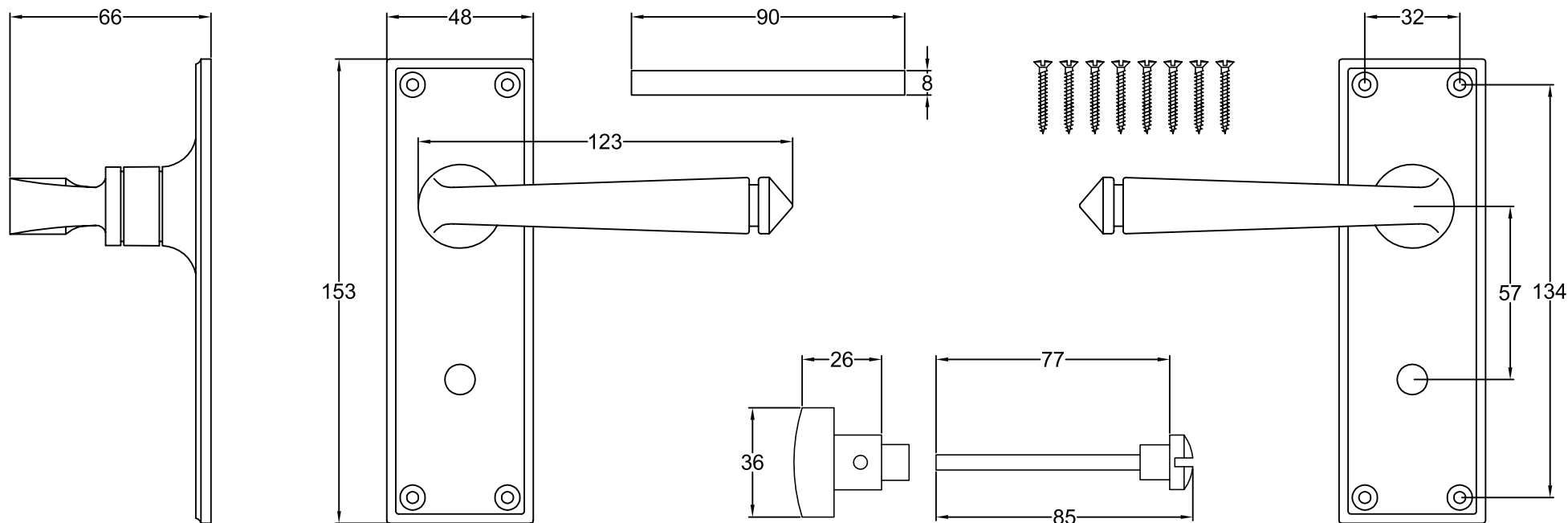
Date: 10/06/2016

Drawn By: Carl Benson

Product Name: Avon Lock Handle

Material / Colour: Cast iron / Black Powder Coat

Pack Content: 2 x Handles, 1 x Mortice Bar, 8 x Wood Screws.



Web: [www.suffolklatchcompany.co.uk](http://www.suffolklatchcompany.co.uk)  
 Email: [info@suffolklatchcompany.co.uk](mailto:info@suffolklatchcompany.co.uk)  
 Tel: 01787 277277

Suffolk Latch Company Ltd  
 Unit B  
 Clare  
 Suffolk  
 CO10 8QD

Scale: 1:2

SKU: HANT03

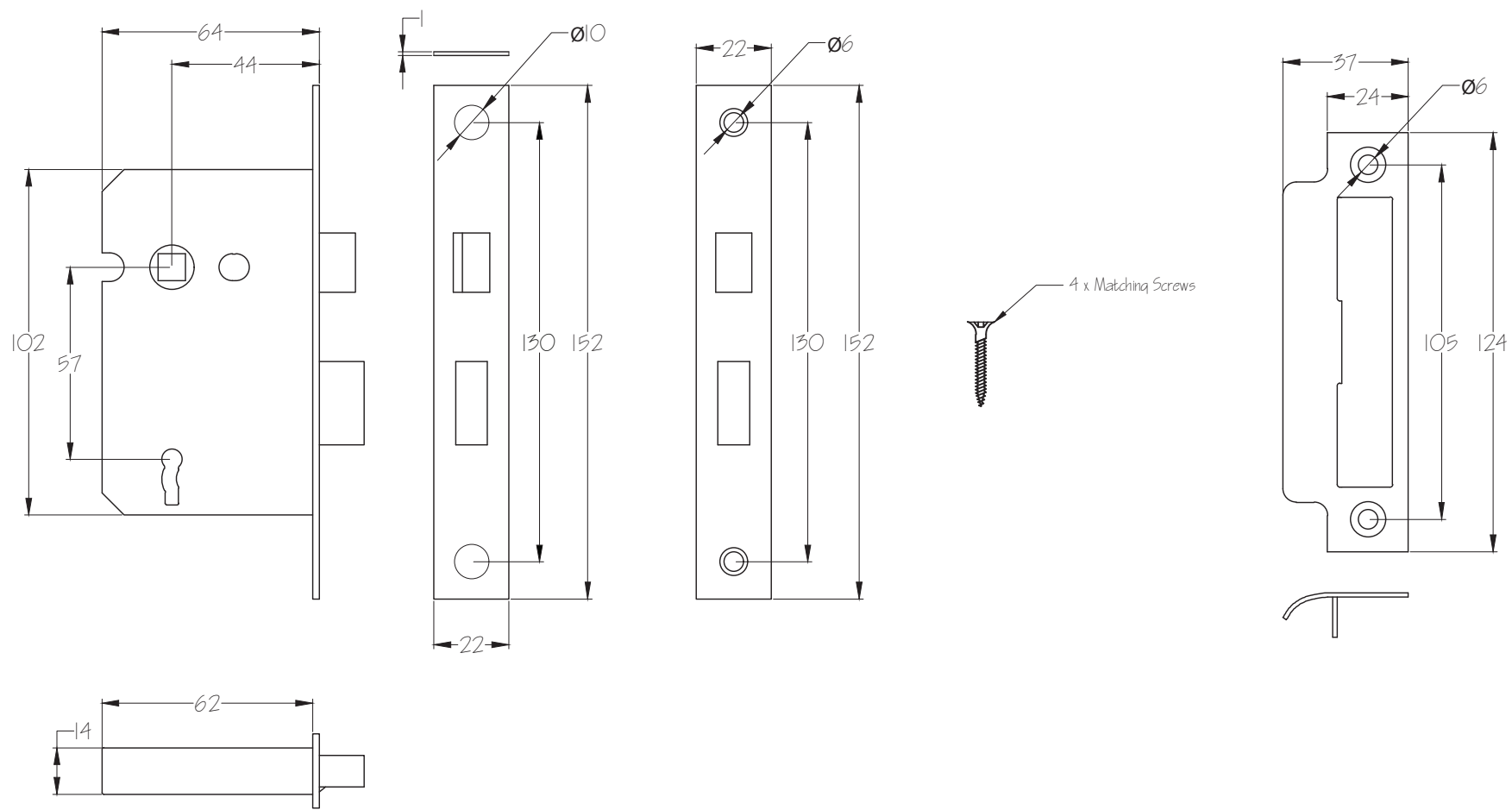
Date: 10/06/16

Drawn By: Carl Benson

Product Name: Avon Bathroom Handle

Material / Colour: Cast iron / Black Powder Coat

Pack Content: 2 x Handles, 1 x Mortice Bar, 8 x Wood Screws and 1 x Thumb Turn



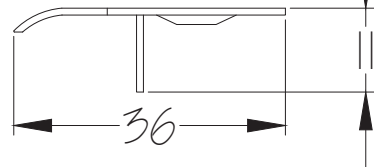
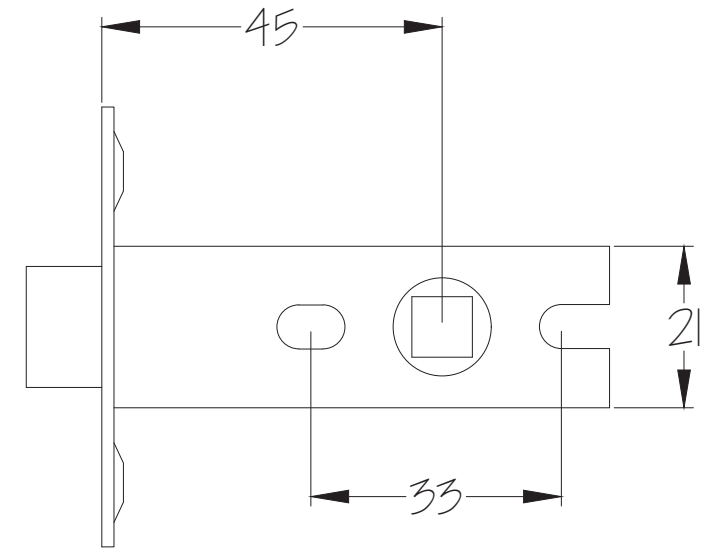
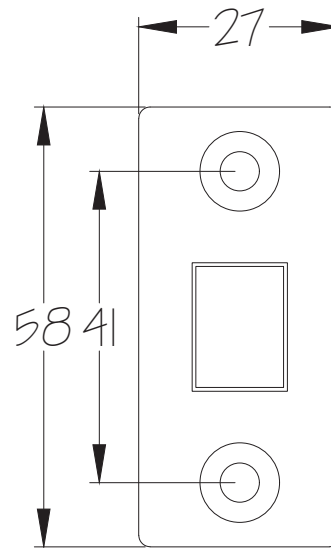
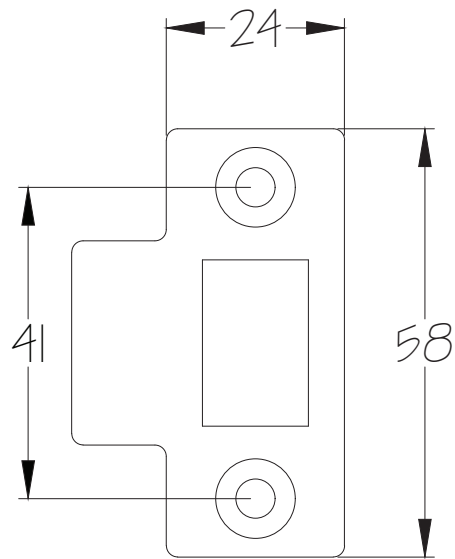
Web: [www.suffolklatchcompany.co.uk](http://www.suffolklatchcompany.co.uk)  
 Email: [info@suffolklatchcompany.co.uk](mailto:info@suffolklatchcompany.co.uk)  
 Tel: 01787 277277

Suffolk Latch Company Ltd  
 Unit B  
 Clare  
 Suffolk  
 CO10 8QD

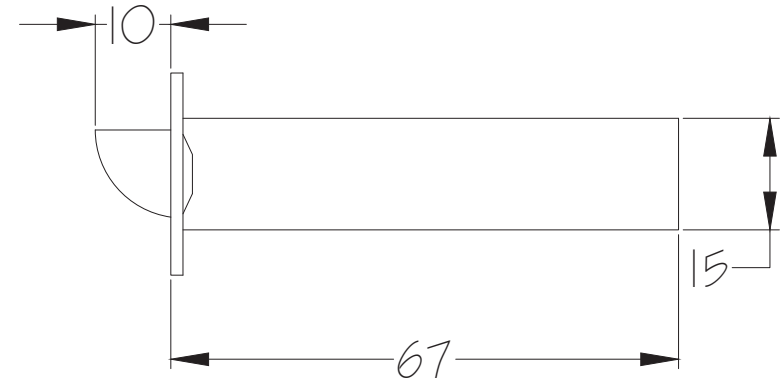
Scale: 1:2  
 SKU: LAL1450-EXB-2.5  
 Date: 29/08/2018  
 Drawn By: Carl Benson

Product Name: Epoxy Black Sashlock 2.5 Inch Fire Rated CE11Z1  
 Material / Colour: Mild Steel with Epoxy Black Forends.  
 Pack Content: 1 x Sashlock, Keeper, Separate Forend, 2 x Keys & Matching Screws.





4 x Matching Screws



Web: [www.suffolklatchcompany.co.uk](http://www.suffolklatchcompany.co.uk)  
 Email: [info@suffolklatchcompany.co.uk](mailto:info@suffolklatchcompany.co.uk)  
 Tel: 01787 277277

Suffolk Latch Company Ltd  
 Unit B  
 Clare  
 Suffolk  
 CO10 8QP

Scale: 1:1

SKU: LAL0081-EXB-2.5

Date: 30/08/2018

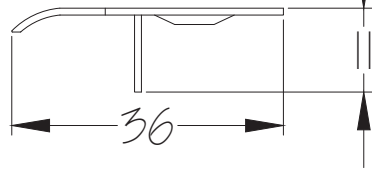
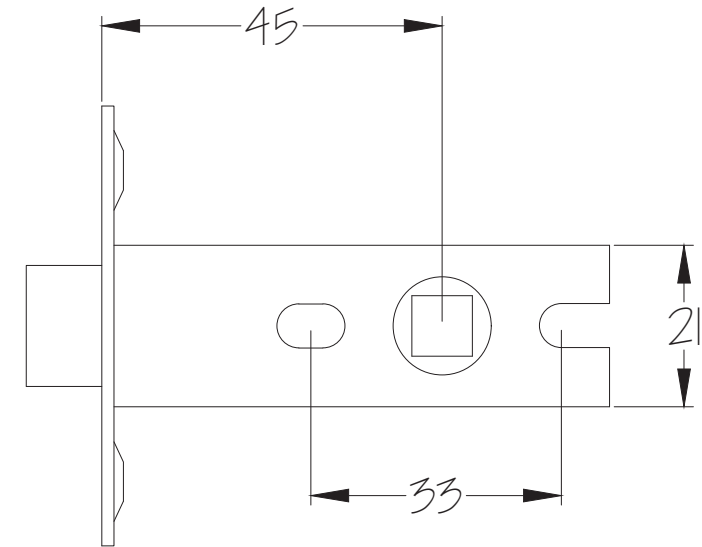
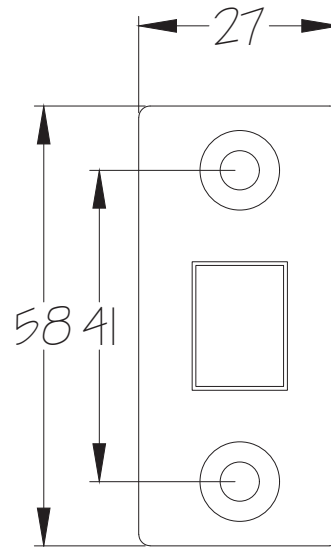
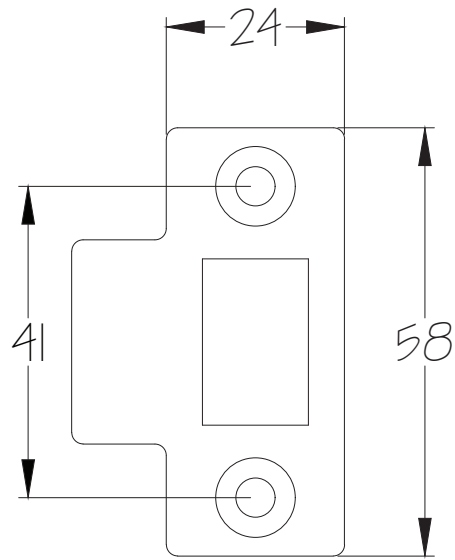
Drawn By: Carl Benson

Product Name: Bolt Through Tubular Latch 2.5 Inch Fire Rated CE1121

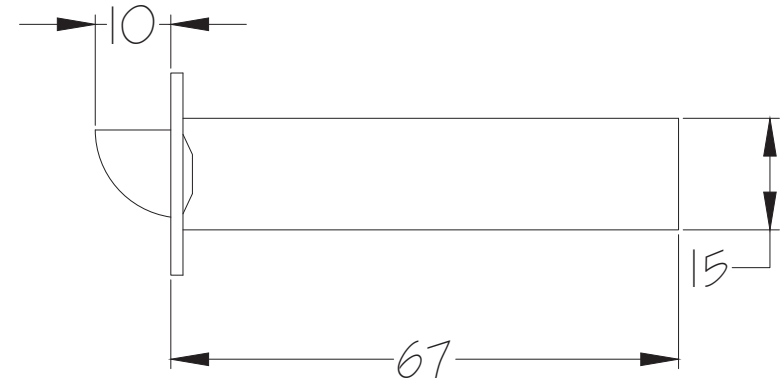
Material / Colour: Mild Steel with Black Forend

Pack Content: 1 x Tubular Latch, 1 x Keeper, 4 x wood screws.

**Suffolk Latch Co**  
[suffolklatchcompany.co.uk](http://suffolklatchcompany.co.uk)



4 x Matching Screws



Web: [www.suffolklatchcompany.co.uk](http://www.suffolklatchcompany.co.uk)  
 Email: [info@suffolklatchcompany.co.uk](mailto:info@suffolklatchcompany.co.uk)  
 Tel: 01787 277277

Suffolk Latch Company Ltd  
 Unit B  
 Clare  
 Suffolk  
 CO10 8QP

Scale: 1:1

SKU: LAL0081-EXB-2.5

Date: 30/08/2018

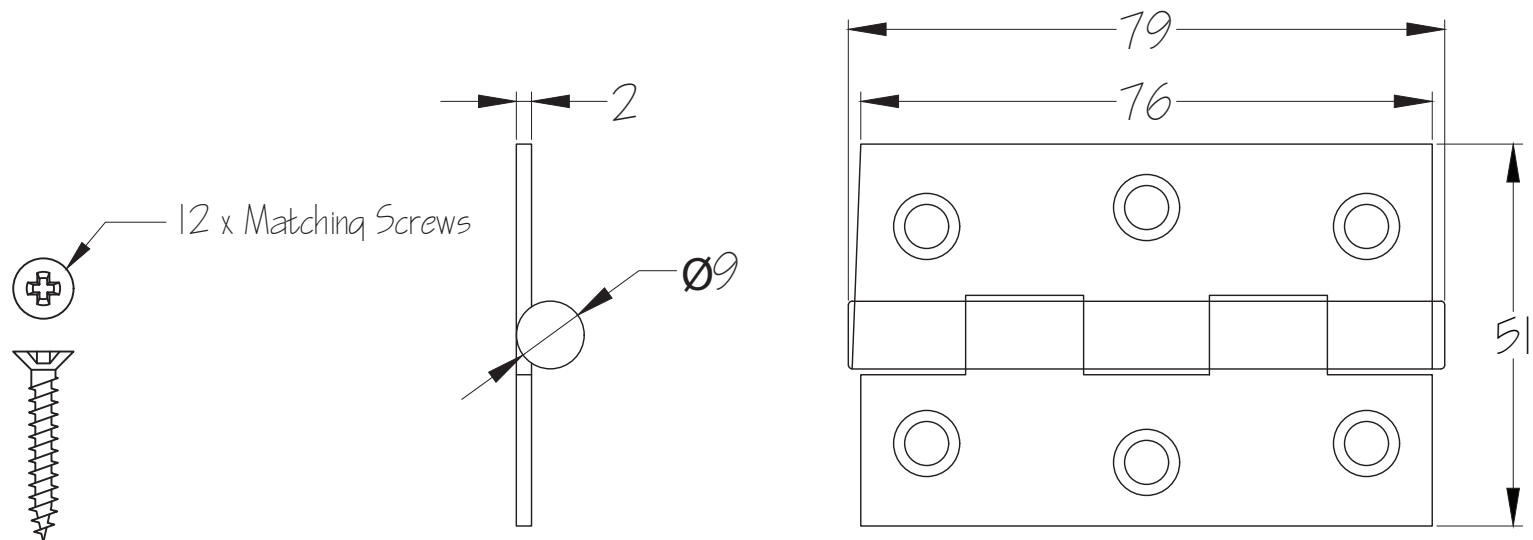
Drawn By: Carl Benson

Product Name: Bolt Through Tubular Latch 2.5 Inch Fire Rated CE1121

Material / Colour: Mild Steel with Black Forend

Pack Content: 1 x Tubular Latch, 1 x Keeper, 4 x wood screws.

**Suffolk Latch Co**  
[suffolklatchcompany.co.uk](http://suffolklatchcompany.co.uk)



Web: [www.suffolklatchcompany.co.uk](http://www.suffolklatchcompany.co.uk)  
 Email: [info@suffolklatchcompany.co.uk](mailto:info@suffolklatchcompany.co.uk)  
 Tel: 01787 277277

Suffolk Latch Company Ltd  
 Unit B  
 Clare  
 Suffolk  
 CO10 8QP

Scale: 1:1

SKU: 2020BT-VB-3

Date: 01/09/2018

Drawn By: Carl Benson

Product Name: 4 Inch Steel Butt hinge, Button Tip, Velvet Black, Fire Rated CE1121.

Material / Colour: Steel With Velvet Black Finish.

Pack Content: 2 x Hinges 12 x Matching Screws..

