

Web: [www.suffolklatchcompany.co.uk](http://www.suffolklatchcompany.co.uk)  
 Email: [info@suffolklatchcompany.co.uk](mailto:info@suffolklatchcompany.co.uk)  
 Tel: 01787 277277

Suffolk Latch Company Ltd  
 Unit B  
 Clare  
 Suffolk  
 CO10 8QD

Scale: 1:1

SKU: CUP1000

Date: 12/01/2015

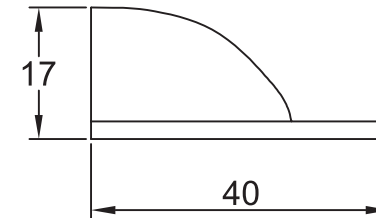
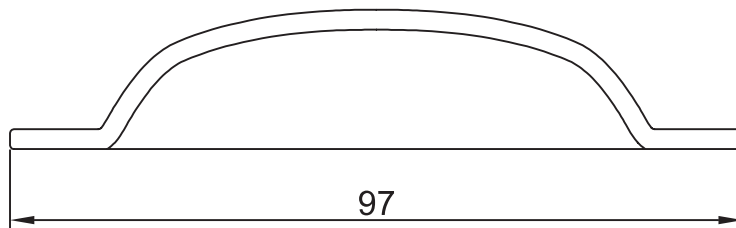
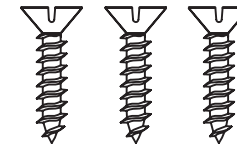
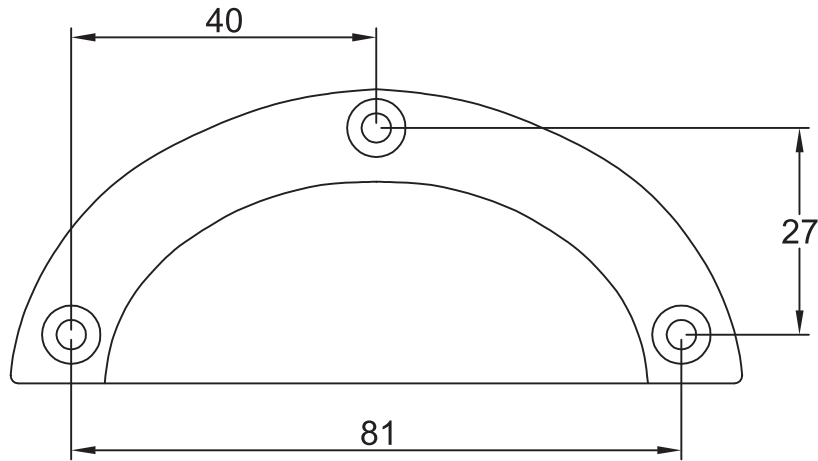
Drawn By: Carl Benson

Product Name: Rear Fix Rustic Iron Cup Pull.

Material / Colour: Cast Iron, Matt Lacquer.

Fixings: 3 x M4 x 30 Screws.

**Suffolk Latch Co**  
[suffolklatchcompany.co.uk](http://suffolklatchcompany.co.uk)



Web: [www.suffolk latch company.co.uk](http://www.suffolk latch company.co.uk)  
 Email: [info@suffolk latch company.co.uk](mailto:info@suffolk latch company.co.uk)  
 Tel: 01787 277277

Suffolk Latch Company Ltd  
 Unit B  
 Clare  
 Suffolk  
 CO10 8QD

Scale: 1:1

SKU: PUL11

Date: 12/01/2015

Drawn By: Carl Benson

Product Name: Rustic Front Fix Cup Pull.

Material / Colour: Cast Iron, Matt Lacquer.

Fixings: 3 x No6 x  $\frac{3}{4}$ " Countersunk Slotted Screws.

**Suffolk Latch Co**  
[suffolk latch company.co.uk](http://suffolk latch company.co.uk)