

Web: www.suffolklatchcompany.co.uk
 Email: info@suffolklatchcompany.co.uk
 Tel: 01787 277277

Suffolk Latch Company Ltd
 Unit B
 Clare
 Suffolk
 CO10 8QD

Scale: 1:1

SKU: See Listing

Date: 17/06/2020

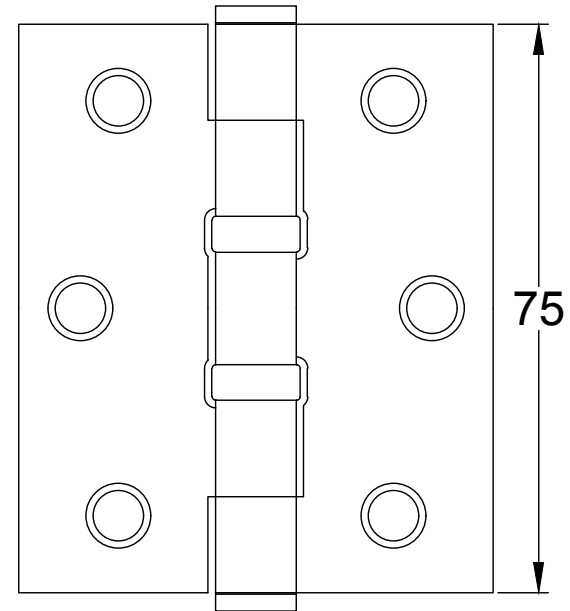
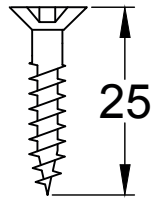
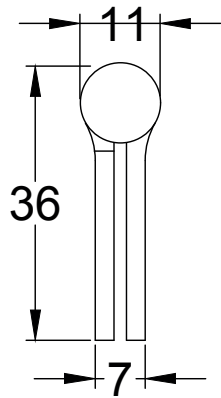
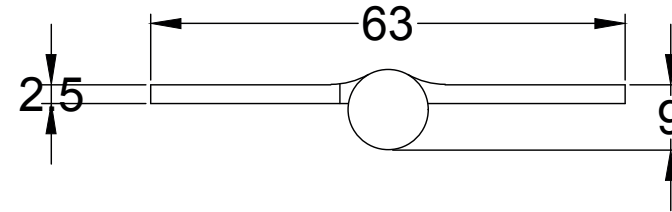
Drawn By: Carl Benson

Product Name: Ball Bearing Hinges 3 x 2.5 Inch x 2.5mm.

Material / Colour: Brass Base Material. Distressed Silver, Matt Antique Brass, Matt Gun Metal & Urban Bronze.

Pack Content: 2 x Hinges & 12 x Matching Wood Screws.

Suffolk Latch Co
suffolklatchcompany.co.uk



Web: www.suffolklatchcompany.co.uk
 Email: info@suffolklatchcompany.co.uk
 Tel: 01787 277277

Suffolk Latch Company Ltd
 Unit B
 Clare
 Suffolk
 CO10 8QD

Scale: 1:1

SKU: See Listing

Date: 17/06/2020

Drawn By: Carl Benson

Product Name: Ball Bearing Hinges 3 x 2.5 Inch x 2.5mm.

Material / Colour: Brass Base Material. Distressed Silver, Matt Antique Brass, Matt Gun Metal & Urban Bronze.

Pack Content: 2 x Hinges & 12 x Matching Wood Screws.

Suffolk Latch Co
suffolklatchcompany.co.uk