

A few simple steps to ensure  
perfect water, every time.





# We're Here to Help

---



We are also available  
for live video chat!

## Email Us:

support@avalonh2o.com

sales@avalonh2o.com

## Availability:

Monday-Friday: 9 a.m.-5 p.m.

# Let's Connect

---

Follow our social media accounts and stay up to  
date on the latest Avalon news.



@avalon\_h2o



Avalon Water Coolers



Avalonh2o

[www.avalonh2o.com](http://www.avalonh2o.com)

# Use and Care Guide

MODELS: A24

## Registration

Please visit the website below to register your new water cooler within the first 30 days of purchase. Registration within the first 30 days will activate your one year warranty.

[www.avalonh2o.com/register-my-avalon-cooler](http://www.avalonh2o.com/register-my-avalon-cooler)

Please keep your model number, order number and purchase date for future support. You can reach us at [support@avalonh2o.com](mailto:support@avalonh2o.com).

Model Number \_\_\_\_\_

Order Number \_\_\_\_\_

Purchase Date \_\_\_\_\_



# Contents

## About Your Water Cooler

Meet Your Avalon Product	1
Part Names	2-3
Indicator Lights	4
Tech Specs	5

## Getting Started

Unpacking your Avalon Water Cooler	7
Install Water Bottle	8-9
Install/Remove Drip Tray	10
Powering the Dispenser	11
Activate Heating and Cooling	12

## User Guide and Maintenance

Dispensing Water	14
Changing the Bottle	15-16

## Cleaning

Rinsing, Cleaning, and Draining	18-20
Cleaning	21-22

## Troubleshooting

24-25

## Safety

27-28

## Warranty

30



# Meet Your Avalon Product



## Child Safety Feature

Ensures safe hot water flows for the entire family



## Built-in Nightlight

Makes late night water trips a breeze



## UL Listed

We design & manufacture with your safety in mind



## Attractive Design

Attractive stainless steel design with single water spout



## Custom Temperature

Piping hot, cool or crisp cold water



## Bottom Loading

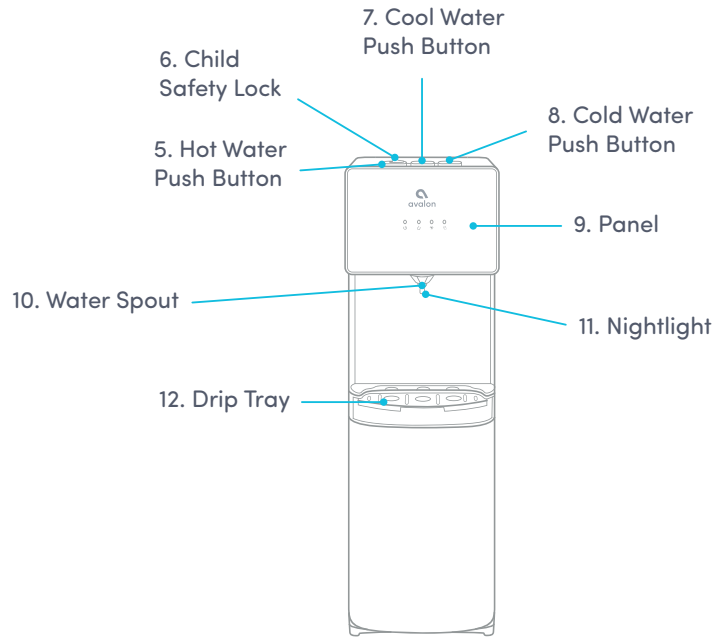
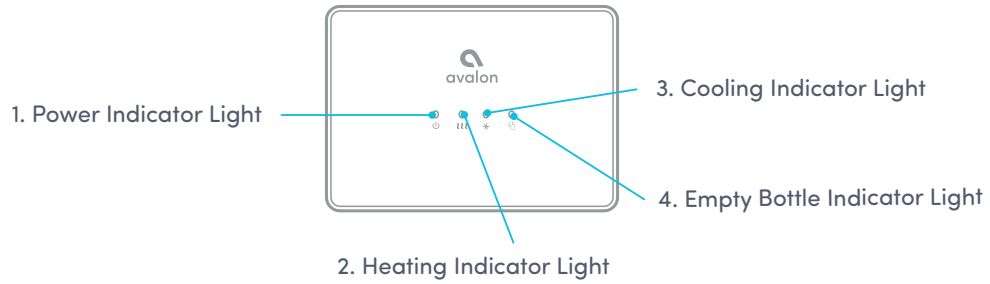
No more lifting, flipping or spills



## Empty Bottle Indicator

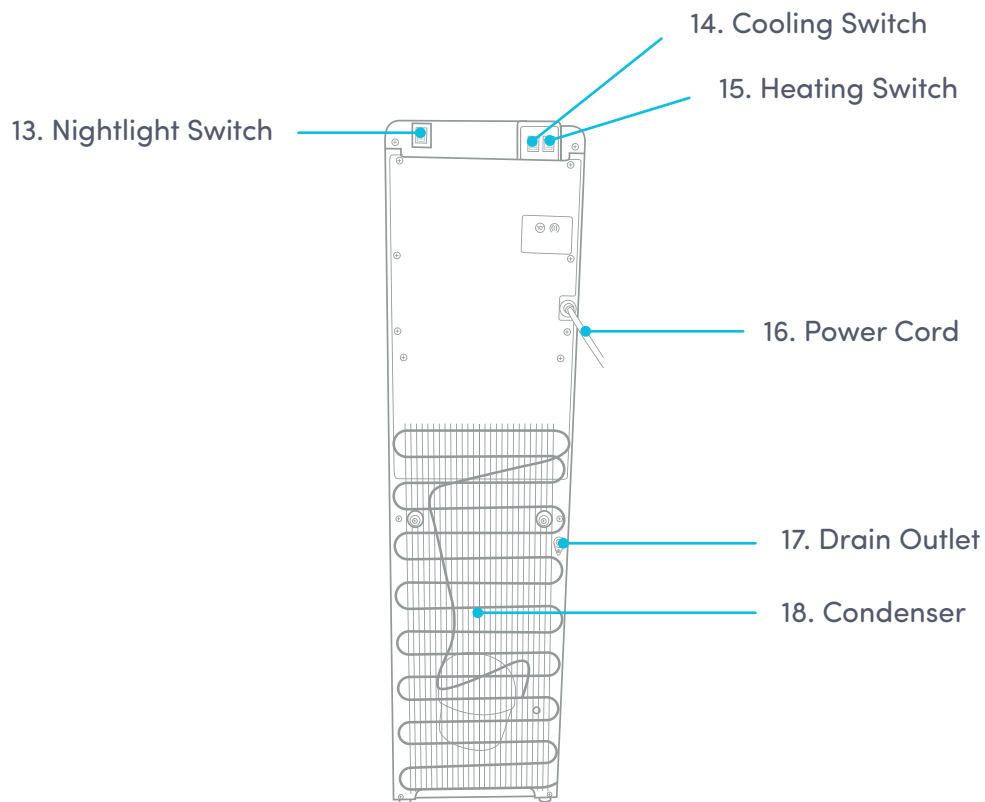
Notifies you when your bottle is empty

# Part Names





## Part Names



## Indicator Lights

### Power Indicator Light



This light will remain on as long as the water cooler is plugged in to indicate that the cooler is on.

### Heating Indicator Light



This light will indicate when the water is heating. The light will remain on while the water is heating and will turn off when it has reached the correct temperature of 185°F. As the water is dispensed the hot tank will refill and the water will heat. As the water reheats this indicator light will turn on.

### Cooling Indicator Light



This light will indicate when the water is cooling. The light will remain on while the water is cooling and will turn off when it has reach the correct temperature of 47°F. As the water is dispensed the cold tank will refill and the water will cool. As the water cools this indicator light will turn on.

### Empty Bottle Indicator Light



This light will indicate that the bottle below is empty and will need to be replaced. This red light will begin to blink to alert you of the empty bottle.

## Tech Specs

Model	A24
Hot/Cold/Cool Output	1.8L/min / 2.2L/min / 2.0L/min
Hot Water Capacity	4 L/h ( ≥ 185°F)
Hot Tank Volume	1.16 Liters
Cold Water Capacity	2.5 L/h ( ≤ 47°F)
Cold Tank Volume	3.6 Liters
Product Size	14"(L)x12"(W)x40"(H)
Packing Size	15.5"(L)x14"(W)x44"(H)
Net Weight/Gross Weight	36.15 lb /46.5 lb
Voltage/Frequency	115 V 60Hz
Cooling Method	Compressor
Heating Method	Internal Element
Heating Watts / Cooling Watts	420W / 100 W
Power Consumption	520 W

# Getting Started

## Unpacking Your Avalon Water Cooler

The unit has been cleaned prior to departing from the factory. To remove any dust and debris that may collect during shipping we recommend cleaning the unit prior to installation. For cleaning instructions, see pages 19-23.


### Locating Dispenser

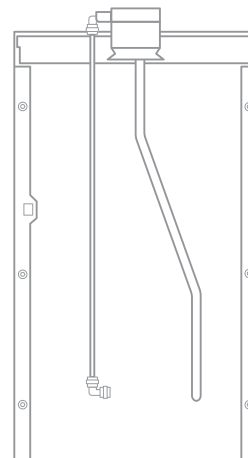
Do NOT plug in the power cord yet.

Place dispenser upright on a hard and level surface in a cool and shaded location near a grounded wall outlet. Position the dispenser so there is about four inches of clearance from the wall on the back and both sides.

Unpack the machine, open the cabinet to remove the drip tray, and install it by inserting it into place at the top of the cabinet door, see page 17.

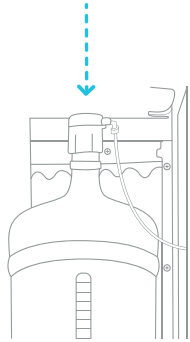
## Installing the Water Bottle

1. Open the cabinet door.
2. Place the probe assembly on the probe hanger. 
3. Place a fresh bottle outside of the cabinet.
4. Remove the entire plastic cap from the top of bottle.
5. Clean the outside of the new bottle with a cloth.

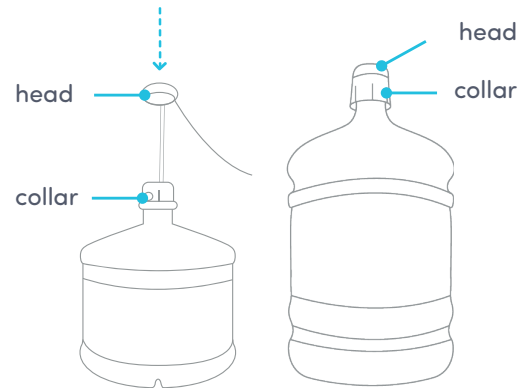


## Installing the Water Bottle

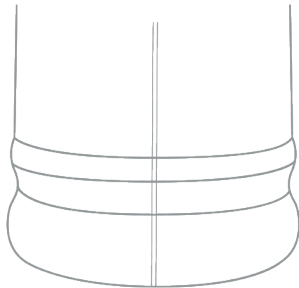
6. Place the probe into the bottle.



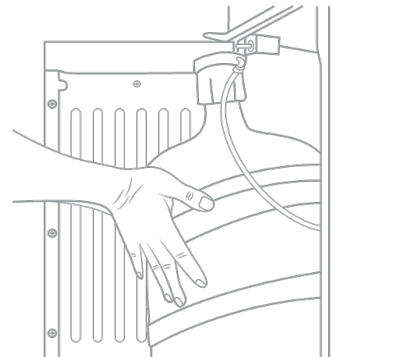
7. Slide the collar down until it clicks into place. If you are using a 3 gallon bottle rather than a 5 gallon bottle you can adjust probe by pressing the two tabs at the head of the probe and sliding the collar down to the neck of the bottle.



8. Push the head down until the tube hits the bottom of bottle.



9. Slide the bottle into cabinet and close the door.



## Powering the Dispenser

Plug cord into a properly grounded wall outlet. At this time the pump will begin to move water from the bottle to the hot and cold tanks. It will take up to 12 minutes to fill the tanks for the first time. During this period the pump will run continuously. This is normal.



## Activate Heating and Cooling

Before turning on the heating (#15) or cooling (#14) switches, ensure water is already filling inside the inner tanks by dispensing a drop of water from the water spouts (#10).

To activate the cold water, push the cooling switch (#14) into the on (I) position by pushing the top of the switch in. If you do not wish to have cold water you can leave the switch in the off (O) position.

To activate the hot water, push the heating switch (#15) into the on (I) position by pushing the top of the switch in. If you do not wish to have hot water you can leave the switch in the off (O) position.

Please allow 15 minutes for the hot water to be heated. During this time the heating indicator light (#2) will be steady. The light will turn off when the heating process is complete. Please allow 1 hour for the cold water to be cooled. During this time the cooling indicator light (#3) will be steady. The light will be turned off when the cooling process is complete. If any error occurs in the heating or cooling process, the indicator light will blink.

# User Guide and Maintenance

## Dispensing Water

### Cold Water

Once you have turned the cooling switch (#14) into the on (I) position it will take initially 1 hour for the water to cool. During this time the cooling indicator light (#3) above the cold water icon will be steady. During this time the compressor could run continuously. This is normal. The light will be turned off when the cooling process is complete.

1. Position a bottle, glass, pitcher or cooking pot below the water spout (#10).
2. Depress the cold water push button (#8) downward to begin the flow of water.
3. Once the desired fill level is achieved release the cold water push button (#8).

### Cool Water

1. Position the bottle, glass, pitcher or cooking pot below the water spout (#10).
2. Depress the cool water push button (#7) downward to begin the flow of water.
3. Once the desired fill level is achieved release the cool water push button (#7).

### Hot Water

Once you have turned the heating switch (#15) into the on (I) position it will take initially 15 – 20 minutes for the water to heat up. During this time the heating indicator light (#2) above the hot water icon will be steady. The light will be turned off when the heating process is complete.

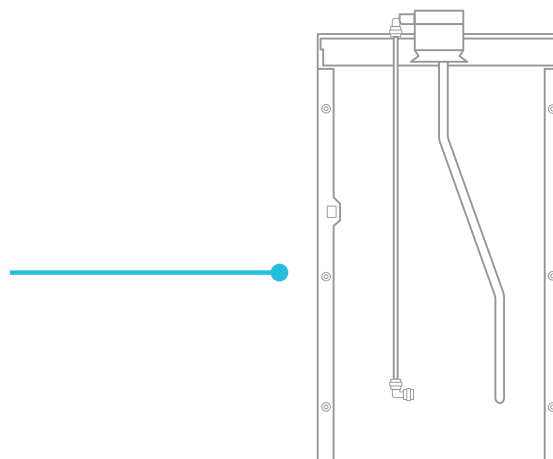
1. Position a bottle, glass, pitcher or cooking pot below the water spout (#10).
2. Slide the red child safety lock (#6) to the left and depress the hot water push button (#5) downward to begin the flow of water. You must hold the child safety lock (#6) and push the button at the same time.
3. Once the desired fill level is achieved release the hot water push button (#5).

## Changing the Bottle

When the empty bottle indicator light (#4) is flashing red this is an alert that your bottle is empty and will need to be replaced as soon as possible.

Notice: Do not dispense hot, cool or cold water if the light is flashing as you could empty the tanks and cause the dispenser to overheat.

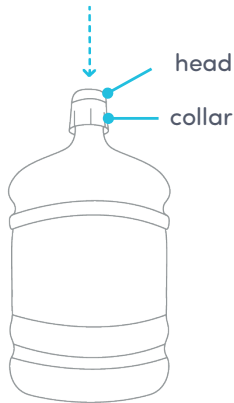
1. Open the cabinet door.
2. Slide the empty bottle out of the cabinet.
3. Remove the probe assembly from the empty bottle. Place probe assembly on the probe hanger.



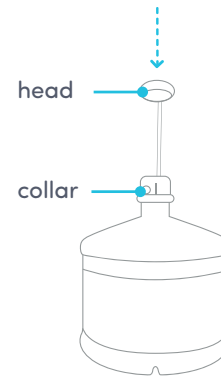
4. Set the empty bottle aside.
5. Place a fresh bottle outside of the cabinet. Remove the entire plastic cap from the top of bottle. Clean the outside of new bottle with cloth.

## Changing the Bottle

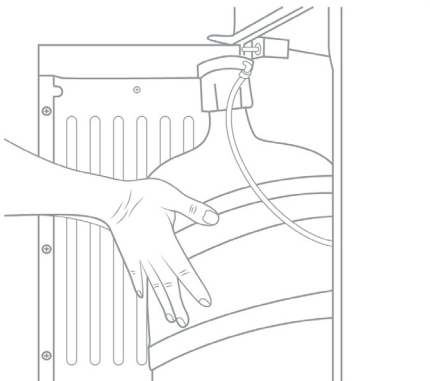
6. Place the probe into bottle. Slide the collar down until it clicks in place. Push the head down until tube hits the bottom of the bottle.



7. If you are using a 3 gallon bottle rather than a 5 gallon bottle you can adjust probe by pressing the two tabs at the head of the probe and sliding the collar down to the neck of the bottle.



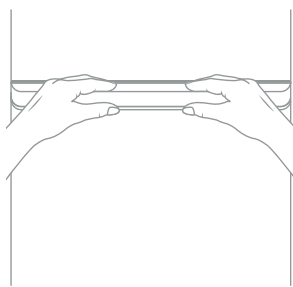
8. Slide the bottle into cabinet and close the door.



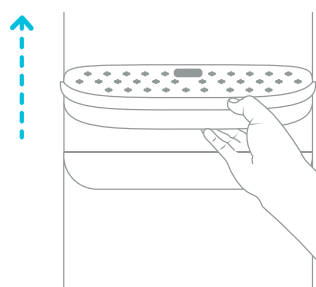
## Emptying the Drip Tray

No external drain is needed, the overflow will collect here. The red float will rise to indicate when the drip tray needs to be emptied.

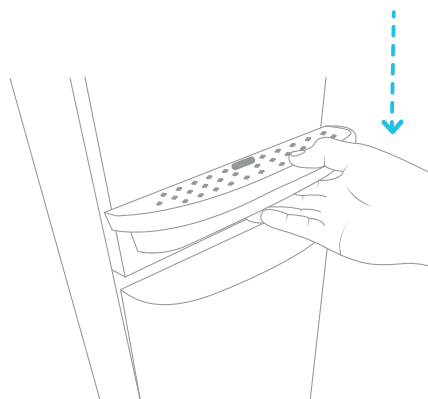
1. To remove the drip tray, grip the front lip of the drip tray with both hands.



2. Lift the drip tray upwards out of the top of the door where it sits.



3. After emptying the drip tray, lower it back into the top of the door.



# Cleaning

## Rinsing, Cleaning, and Draining

To prolong the lifetime of the machine, it is recommended that the unit be cleaned and sanitized manually about every six months.

### To clean the outside of the unit

Use a disinfectant of your choice to wipe down the outside of the machine. Disinfectant does not come with this unit. It can be purchased separately from a local store.

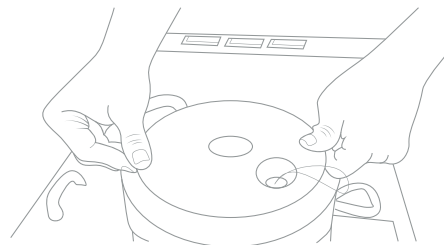
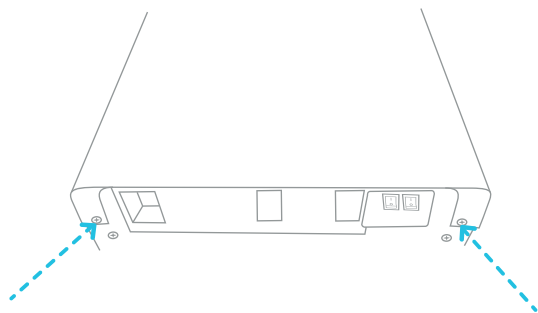
### To rinse the inside of the unit

The machine has been disinfected prior to departing from the factory. However, it is recommended to rinse and drain the unit prior to installation.

1. Before cleaning, make sure that the cooling switch (#14) and heating switch (#15) are in the off (O) position and unplug the machine.



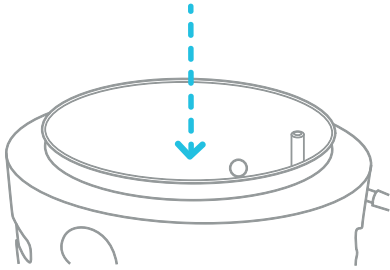
2. Remove the two screws located on the back (at the top, in line with the switches) of the cooler. Remove the top cover by lifting at an angle and pull off. Remove the white cold water tank cover and the separator.



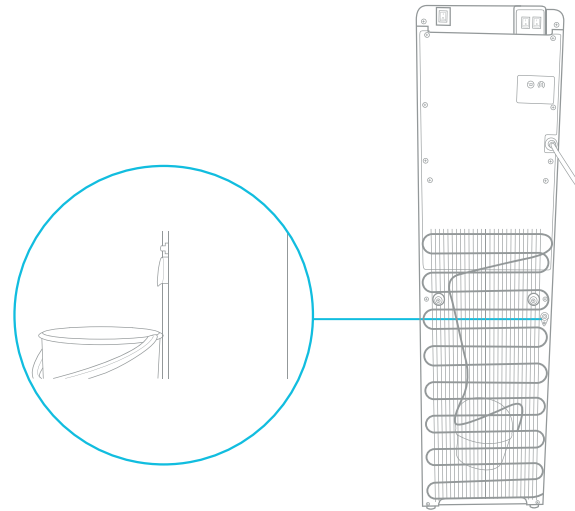


## Rinsing, Cleaning, and Draining

3. Pour 0.6 gallons of clean water into the cold tank. (The cold water tank is the open cylinder that the white cover was removed from).



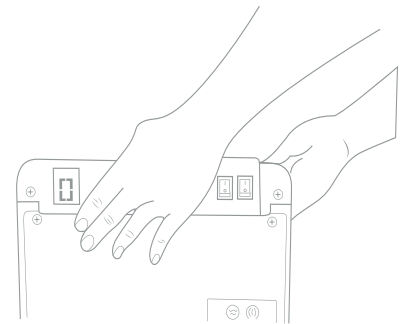
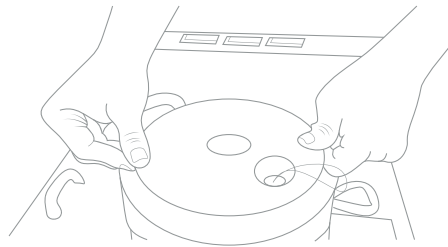
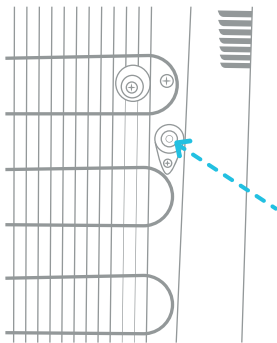
4. Place a large bucket beneath the drain outlet (#17) located on the back of the unit. Remove the drain cover and allow the water to drain from the unit. Water will start flowing as soon as the drain cover is removed.



**Caution:** The dispenser will heat water to a temperature of approximately 185°F. It can cause severe burns if not handled carefully. Please use caution while operating and cleaning. Please allow ample time for any hot water inside the machine to cool down before draining it.

## Rinsing, Cleaning, and Draining

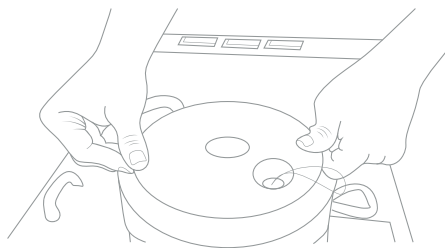
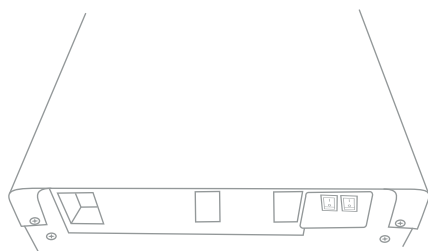
5. Once water is completely drained, reposition the drain cover, cold tank cover and the top cover. Ensure that the pipes and wires are connected properly and you may use the dispenser as normal.



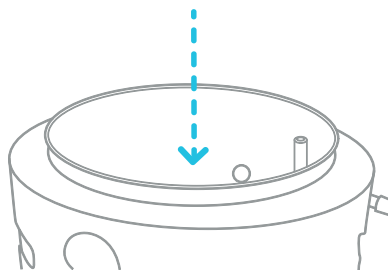
## Cleaning

To remove mineral deposits that may have built up inside the the cold tank, mix 4 L of water with 200 g of citric acid crystals (not included) or cleaning solution of your choice.

1. Unscrew the top cover and lift off the cold tank lid.

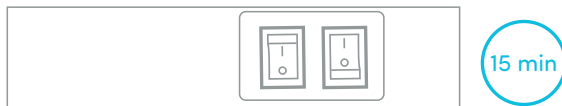


2. Put the mixture into the machine's cold tank and make sure the water can flow out of the water spout (#10).

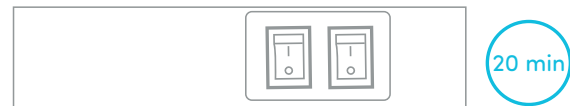


# Cleaning

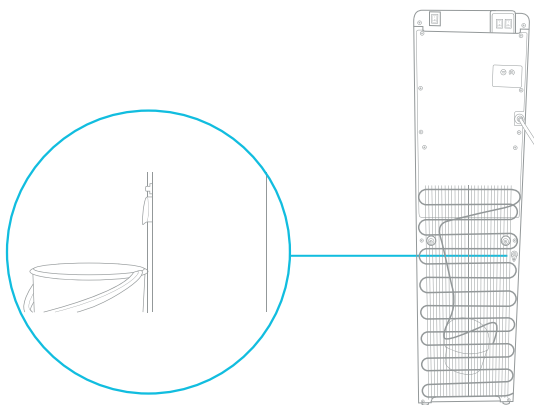
3. Plug in the power cord and turn on (I) the heating switch (#15). Allow the water to heat for 15 minutes.



4. Turn off (O) the heating switch (#15) and allow the liquid mixture to cool down for 20 minutes.



5. Drain the liquid from the drain outlet (#17), then flush with water two or three times by following the rinsing instructions above. Only disassemble parts mentioned to avoid damaging the machine.



# Troubleshooting

## Troubleshooting

If you are having trouble with your water cooler please see the following solutions. You can also view our trouble shooting videos at the website below. Please feel free to contact us with any questions.

 [support@avalonh2o.com](mailto:support@avalonh2o.com)

 [www.avalonh2o.com](http://www.avalonh2o.com)

## Troubleshooting

### Water is leaking in the unit

Please check to see that all of the connections are tight and there are no loose tubes or connections.

### Water not dispensing at a hot or cold temperature

This could be caused by an over consumption of water in a short period of time causing the tanks to empty. Please allow 5 to 10 minutes for the water cooler tanks to refill. Allow the proper time for the water to heat and cool.

This could be caused by an interruption in the power supply. Please ensure that the power cord is connected to an outlet. Please make sure that the heating (#15) and cooling (#14) switch are in the on position.

### No water is dispensing from the spout

- Check to make sure that the bottle is not empty. If it is, please replace it with a new one.
- Make sure to completely depress the push button controls and the child safety lock is being slid away from you and held in place while depressing the button.

### Not pumping water after replacing the bottle

- Please make sure that the cabinet door is closed. The door must be closed for the water to pump. Please unplug the water cooler and check all of the connections in the bottle cabinet. It is possible that a connection became loose while moving the bottle. Even a slightly loose connection can cause the cooler not to function properly.

### Night light is not working

- Check to make sure the power cord is properly connected to a working outlet.
- Check to make sure the nightlight switch (#13) is in the on (I) position on the back of the dispenser.

### Dispenser is very noisy

- Please make sure that the dispenser is positioned on a flat, level surface.

Safety



## Safety

To reduce risk of injury and property damage, user must read this entire guide before assembling, installing and operating the dispenser.

Failure to execute the instructions in this manual can cause personal injury or property damage.

This product dispenses water at very high temperatures. Failure to use this properly can cause personal injury.

When operating this dispenser, always exercise basic safety precautions, including the following:

- Prior to use, this dispenser must be properly assembled and installed in accordance with this manual.
- This dispenser is intended for water dispensing only. Do NOT use other liquids. Do NOT use for other purposes. Never use any other liquid in the dispenser other than known microbiologically safe tap water.
- For indoor use only. Keep water dispenser in a dry place away from direct sunlight. Do NOT use outdoors.
- Install and use only on a hard, flat and level surface.
- Do NOT place dispenser in an enclosed space or cabinet.
- Do NOT operate the dispenser in the presence of explosive fumes.
- Position back of dispenser no closer than 20 cm from wall and permit free airflow between wall and dispenser. There must be at least 20 cm clearance on the sides of the dispenser to permit airflow.
- Use only properly grounded outlets.
- Do not use an extension cord with your water dispenser.
- Always grasp plug and pull straight out from outlet. Never unplug by pulling on power cord.
- To protect against electric shock, do NOT immerse cord, plug or any other part of the dispenser in water or other liquid.

## Safety

- Ensure dispenser is unplugged prior to cleaning.
- Never allow children to dispense hot water without proper and direct supervision.  
Unplug unit to prevent unsupervised use by children.
- Service should be performed only by a certified technician.
- Warning: Do not damage the refrigerant circuit.
- This appliance can be used by children aged from 8 years and above if they have been given supervision or instruction concerning use of the appliance in a safe way and if they understand the hazards involved. Cleaning and user maintenance shall not be made by children unless they are older than 8 and supervised. Keep the appliance and its cord out of reach of children less than 8 years.
- Appliances can be used by persons with reduced physical, sensory or mental capabilities or lack of experience and knowledge if they have been given supervision or instruction concerning use of the appliance in a safe way and understand the hazards involved. Children shall not play with the appliance.
- This appliance is intended to be used in a household and similar applications such as: kitchen area in shops, offices and other working environments, bed and breakfast type environments, catering and similar non-retail applications.
- Do not store explosive substances such as aerosol cans with flammable propellant in this appliance.
- If the supply cord is damaged, it must be replaced by a special cord assembly available from the manufacturer or its service agent.
- Never turn the machine upside down or lean it more than 45°.
- Thermostat has been adjusted. There is no need to adjust it by yourself. When the matching is below the freezing point and blocked by ice, the cooling switch should be turned off for 4 hours before turning it on again to continue its operation.
- This machine should not be plugged back in until 3 minutes after it has been unplugged.

# Warranty

# Warranty

## Models included are:

A1TLWATERCOOLER, A2TLWATERCOOLER, A3BLOZONEWTRCLR, A3F, A3F-SC, A4BLWTRCLR, A4F, A1BOTTLELESS, A5BOTTLELESS, A5BLK, A6BLWTRCLRWHT, A6BLWTRCLRBLK, A7BOTTLELESS, A7BOTTLELESSBLK, A8CTBOTTLELESSWHT, A8CTBOTTLELESSBLK, A9CELECTRICSS, A9ELECTRICBLK, A9ELECTRICWHT, A10-TL, A11-CTTL, A12-CTPOU, A13, A14, A15, A1CTWTRCLRBLK, A1CTWTRCLRWHT, A3BLK, A4F, A5BLK, A6SC-WHT, A6SC-BLK, A10BLK, A11BLK, A12BLK, A13BLK, A14BLK, A13CT, A13-S, B8WHT, B8BLK, A9, A23, A23BLK, A24, A25, A25BLK

Products listed above are covered by the terms of this Limited Warranty. For purposes of this Limited Warranty, the term "product" means any water cooler bottled or bottleless manufactured for Avalon. Avalon warrants that it will, at Avalon's option, replace or repair the Purchaser's Avalon product sold in the U.S. or Canada by an authorized retailer if that product is defective due to faulty workmanship or materials, subject to the limitations described in this Limited Warranty. Avalon undertakes no responsibility for the quality of the goods except as otherwise provided in this warranty. There are no warranties that extend beyond the description on the face hereof. This Limited Warranty is valid only in connection with the original purchase of new products from authorized retailers and extends from the original purchase date of the original product purchased. This warranty extends only to the original purchaser of the product and lasts for one (1) year from the date of the original purchase or until the original purchaser of the product sells or transfers the product, whichever first occurs. An "original purchaser," for the purposes of this Limited Warranty, is an individual or entity who purchases the product directly from Avalon or an authorized retailer of Avalon with the intent to use the product for personal consumer use and commercial or industrial use and not with the intent to resell the product. An "authorized retailer," for purposes of this Limited Warranty, is an individual or entity authorized by Avalon to sell the product directly to original purchasers. An individual or entity that purchases the product from whatever source with the intent to resell the product is an unauthorized reseller ("unauthorized reseller"). For the purpose of this Limited Warranty a "Third Party" would be considered any plumber, maintenance company, or individual hired by the Purchaser.

This Limited Warranty does not apply to used, refurbished, renewed, floor model or "demo" products, or to products sold by unauthorized resellers, including without limitation, unauthorized resellers on third party websites, including, without limitation, Craigslist, eBay, Amazon, etc. Unauthorized resellers are not "original purchasers" for the purpose of this Limited Warranty. If the purchaser is not the original purchaser of this product, the purchaser takes the product "AS IS," "with all faults" and without warranty. Avalon reserves the right to require a valid serial number located on your product to submit a valid claim under this Limited Warranty. Products where the serial number has been removed or evidence showing the removal or attempted removal of the serial number label will not be eligible to make a claim under this Limited Warranty. IF THE PURCHASE OF THIS PRODUCT WAS NOT DIRECTLY FROM AVALON, PROOF OF PURCHASE WILL BE REQUIRED TO DEMONSTRATE THAT PURCHASER IS THE ORIGINAL PURCHASER AND THE PRODUCT WAS PURCHASED FROM AN AUTHORIZED RETAILER, AND ELIGIBLE TO MAKE A VALID CLAIM UNDER THIS LIMITED WARRANTY.

Your purchase date is established from the date of your sales receipt. Avalon may require the purchaser to provide proof of the quality and condition of the water cooler if the purchaser makes a claim under this Limited Warranty. Avalon reserves the right to invalidate this Limited Warranty if the water cooler is determined, in Avalon's reasonable discretion, to be inadequate or if the water cooler is found to be in an unsanitary condition. This warranty does not apply if the product was damaged or failed because of accident, improper handling or operation, relocation, abuse, misuse, unauthorized repairs made or attempted, or improper installation or maintenance. Under this Limited Warranty, products are required to be plugged directly into a grounded wall outlet. Plugging a product into an extension cord or surge protector will be considered misuse and will void this Limited Warranty. If damage to the product has occurred during shipping, the damage must be reported to Avalon within the first 30 days from the original purchase date to be eligible to make a claim under the Limited Warranty. Shipping damage reported to Avalon outside of the first 30 days from the original purchase date will not be eligible for a valid claim under this Limited Warranty. This warranty does not cover shipping costs for the return of products to Avalon for repair or replacement.

To submit a valid claim under this Limited Warranty, troubleshooting the product with an Avalon Customer Success Expert is required. If troubleshooting the product is refused by the Purchaser, Avalon reserves the right to deny the Limited Warranty Claim. In the event a part is necessary to correct the problem with a Product, Avalon will provide the part at no cost to the original purchaser under this Limited Warranty. Replacing parts or attempting to correct an issue with the Product is required prior to submitting a claim for a replacement product under this Limited Warranty. Instructions for troubleshooting a Product or replacing a part will be provided by Avalon. Troubleshooting, repairs, part replacement, installation, and proper maintenance are the responsibility of the Purchaser. Instructions for proper installation and maintenance will be provided in the user manual.

Installation, maintenance, or repairs of the Product is the responsibility of the Purchaser. The Purchaser reserves the right to use a Third Party for installation, maintenance, and repair at their own risk. Avalon is not responsible for any additional cost incurred for installation, maintenance, or repair of the Product including but not limited to additional material needed for installation or the cost of a Third Party. Damage or failure of the Product due to improper installation, maintenance, or repair caused by a Third Party or the Purchaser is not the responsibility of Avalon and will not be covered under this Limited Warranty. Instructions for proper installation and maintenance will be provided in the user manual.

ANY AND ALL WARRANTIES, EXPRESSED OR IMPLIED (INCLUDING, WITHOUT LIMITATION, ANY IMPLIED WARRANTY OF MERCHANTABILITY), LAST ONE YEAR FROM THE DATE OF ORIGINAL PURCHASE OR UNTIL THE ORIGINAL PURCHASER OF THE PRODUCT SELLS OR TRANSFERS THE PRODUCT, WHICHEVER FIRST OCCURS. IN NO EVENT SHALL AVALON'S LIABILITY UNDER ANY EXPRESS OR IMPLIED WARRANTY INCLUDE (I) INCIDENTAL OR CONSEQUENTIAL DAMAGES FROM ANY CAUSE WHATSOEVER, INCLUDING BUT NOT LIMITED TO ELECTRICAL OR WATER DAMAGE, OR (II) REPLACEMENT OR REPAIR OF ANY HOUSE FUSES, CIRCUIT BREAKERS OR RECEPTACLES. NOTWITHSTANDING ANYTHING TO THE CONTRARY, IN NO EVENT SHALL AVALON'S LIABILITY UNDER ANY EXPRESS OR IMPLIED WARRANTY EXCEED THE PURCHASE PRICE OF THE PRODUCT AND ANY SUCH LIABILITY SHALL TERMINATE UPON THE EXPIRATION OF THE WARRANTY PERIOD.

Except as otherwise provided, Avalon will not charge Original Purchaser to repair or replace the purchaser's Product if it is deemed defective during the length of this Limited Warranty, but any transportation costs associated with repairs or replacements are Purchaser's responsibility. No new warranty is provided with a replacement product. The warranty for the replacement product runs from the date of the original purchase of the original product. In the event that repair is necessary, such repair will be at no charge to the Purchaser except for transportation costs associated with such repair or replacement of a product in compliance with the terms of this Limited Warranty.

In the event, a warranty claim is filed and a warranty replacement is deemed necessary, the purchaser will be required to surrender the original product to Avalon at the time of replacement.

Some states and provinces do not allow limitations on how long an implied warranty lasts or the exclusion or limitation of incidental or consequential damages, so these exclusions or limitations may not apply to you. This warranty gives you specific legal rights. You may also have other rights which vary from state to state and province to province.







Unos pocos y sencillos pasos  
para garantizar un agua  
perfecta, en cualquier momento.







# Estamos Aquí para Ayudarais

---



¡También estamos disponibles para video chat en vivo!

## Envíanos un Correo Electrónico:

[support@avalonh2o.com](mailto:support@avalonh2o.com)

[sales@avalonh2o.com](mailto:sales@avalonh2o.com)

## Disponibilidad:

Lunes-Viernes: 9:00-17:00

## Conectemos

---

Siga nuestras cuentas de redes sociales y manténgase actualizado sobre las últimas noticias de Avalon.



[@avalon\\_h2o](https://www.instagram.com/avalon_h2o)



[Avalon Water Coolers](https://www.facebook.com/AvalonWaterCoolers)



[Avalonh2o](https://twitter.com/Avalonh2o)

[www.avalonh2o.com](http://www.avalonh2o.com)

# Manual de Uso y Mantenimiento

MODELOS: A24

## Registro:

Por favor, visite el siguiente enlace para poder registrar su nuevo dispensador de agua muy fría durante los primeros 30 días desde su fecha de compra. Registrarlo durante los primeros 30 días activará su garantía de un año.

[www.avalonh2o.com/register-my-avalon-cooler](http://www.avalonh2o.com/register-my-avalon-cooler)

Por favor, guarde su número de modelo, número de pedido y fecha de la compra para una futura asistencia. Puedes contactar por email [support@avalonh2o.com](mailto:support@avalonh2o.com).

Número de modelo \_\_\_\_\_

Número de pedido \_\_\_\_\_

Fecha de la compra \_\_\_\_\_



# Contenido

## Sobre su dispensador

Conozca su producto Avalon	1
Nombres de los componentes	2-3
Luces indicadoras	4
Especificaciones técnicas	5
BioGuard	

## Empezando

Desempaquetando su Dispensador Avalon	7
Instalando la Botella de Agua	8-9
Instalar/Quitar Bandeja anti-goteo	10
Encendiendo el Dispensador	11
Activando el calentamiento y la refrigeración	12

## Guía de uso y de mantenimiento

Dispensando Agua	14
Cambiando la botella	15-16

## Limpieza

Enjuagar, limpiar y drenaje	18-20
Limpieza	21-22

## Solución de problemas

24-25

## Seguridad

27-28

## Garantía

30



# Conozca su producto Avalon



## Seguridad infantil

Garantiza un chorro seguro de agua caliente para toda la familia



## Construida con luz nocturna

Hace que ir a por agua por la noche sea fácil



## Protección UL

Diseñamos & construimos pensando en tu seguridad



## Diseño atractivo

Diseño de acero inoxidable con un solo pico de agua



## Temperaturas a medida

Muy caliente, agua fría, o agua súper fría



## Carga inferior

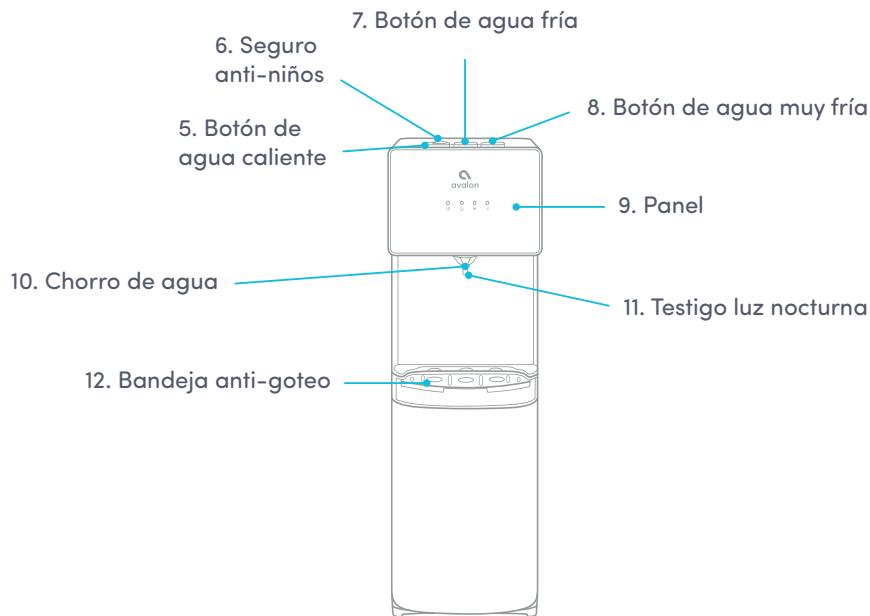
No más levantamientos, giros o derramamientos



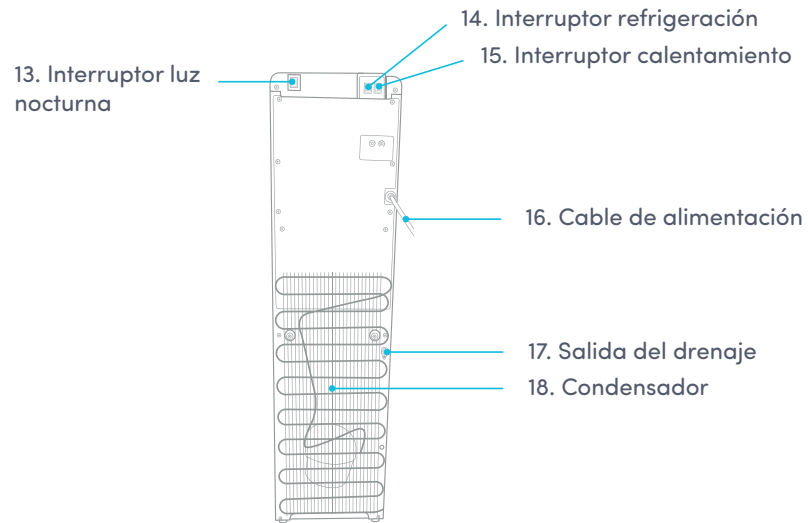
## Indicador de botella vacía

Te avisa cuando la botella está vacía

# Nombres de los componentes



# Nombres de los componentes





## Indicadores Luminosos



### Indicador Luminoso Encendido

Esta luz seguirá activada para indicar que la unidad está conectada y encendida.



### Indicador Luminoso Calentamiento

Esta luz indica que el agua está calentándose. La luz seguirá encendida mientras que el agua esté calentándose y se apagará cuando se alcance la temperatura correcta de 185°F (85°C). Cuando el agua se dispensa, el depósito de agua caliente se volverá a rellenar y el agua volverá a calentarse. Durante el tiempo que tarde el agua en volver a calentarse de nuevo, esta luz permanecerá encendida.



### Indicador Luminoso de Refrigeración

Esta luz indica que el agua está enfriándose. La luz seguirá encendida mientras que el agua esté enfriándose y se apagará cuando se alcance la temperatura correcta de 47°F (8.3°C). Cuando el agua se dispensa, el depósito de agua muy fría se volverá a rellenar y el agua volverá a enfriarse. Durante el tiempo que tarde el agua en enfriarse de nuevo, esta luz permanecerá encendida.



### Indicador Luminoso Botella Vacía

Esta luz indicará que la botella de abajo está vacía y que debe ser cambiada. La luz roja empezará a parpadear para avisarle de que la botella está vacía.

## Especificaciones técnicas

Modelos	A24
Caliente/muy fría/fría salida	1.8L/min / 2.2L/min / 2.0L/min
Capacidad agua caliente	4 L/h ( ≥ 185°F)
Volumen depósito agua caliente	1.16 Litros
Capacidad agua muy fría	2.5 L/h ( ≤ 47°F)
Volumen depósito agua muy fría	3.6 Litros
Tamaño producto	14"(L)x12"(W)x40"(H)
Tamaño paquete	15.5"(L)x14"(W)x44"(H)
Peso neto/Peso bruto	36.15 lb /46.5 lb
Voltaje/Frecuencia	115 V 60Hz
Método de refrigeración	Compresor
Método del calentador	Elemento Interno
Vatios del calentador/ Vatios de refrigeración	420W / 100 W
Consumo eléctrico	520 W

Empezando

## Desempaquetando su dispensador Avalon

Este dispositivo ha sido limpiado antes de salir de la fábrica. Para eliminar cualquier suciedad o polvo que se haya podido acumular durante el transporte, le aconsejamos que limpie el dispositivo antes de instalarlo. Para ver las instrucciones de limpieza, vaya a las páginas 19-23.

### Situar el Dispensador

Todavía no conecte el cable de alimentación.

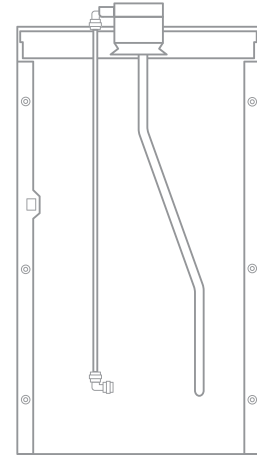
Sitúe el dispensador recto sobre una superficie dura y nivelada en un lugar fresco y a la sombra, cerca de un enchufe de pared. Posicione el dispensador de tal forma que tenga una distancia de 4 pulgadas con respecto al muro por detrás y por los lados.

Desempaquete la máquina, abra el compartimento para sacar la bandeja anti-goteo e instálela en su sitio sobre la puerta del compartimento, para ello mire la página 17.

## Instalando la Botella de Agua

1. Abra la puerta del compartimento.

2. Coloque la sonda en el gancho.



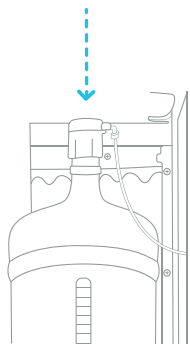
3. Coloque una botella nueva fuera del compartimento.

4. Quite el tapón de plástico de la botella.

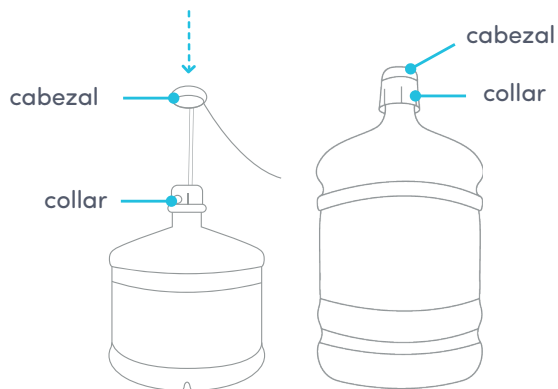
5. Limpie la parte exterior de la nueva botella con un trapo.

## Instalando la Botella de Agua

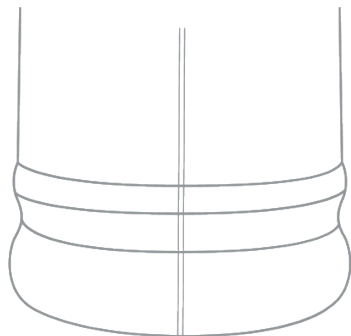
6. Coloque la sonda dentro de la botella.



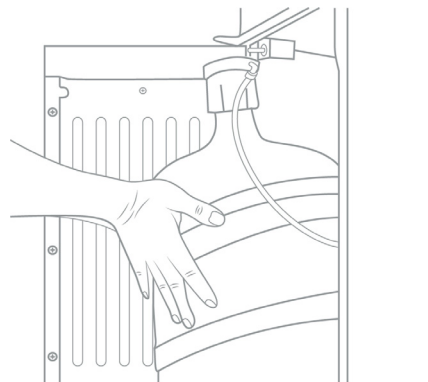
7. Deslice el collar hasta que haga clic en su sitio. Si está usted usando una botella de 3 galones en vez de una de 5 galones, puede ajustar la sonda apretando las dos lengüetas en el cabezal de la sonda y deslizar el collar hasta el cuello de la botella.



8. Empuje el cabezal hasta que el tubo llegue hasta el fondo de la botella.



9. Coloque la botella dentro del compartimento y cierre la puerta.



## Encendiendo el Dispensador

Conecte el cable de alimentación a un enchufe de pared con toma de tierra. En ese momento, la bomba empezará a mover el agua de la botella hasta los depósitos de agua caliente y fría. Tomará aproximadamente 12 minutos para rellenar los depósitos la primera vez. Durante este tiempo, la bomba funcionará de manera continua. Eso es totalmente normal.

## Activando el Calentamiento y la Refrigeración

Antes de encender los interruptores de calentamiento (#15) o de refrigeración (#14) asegúrese que el agua esté ya rellenando los depósitos internos vertiendo una gota de agua del chorro de agua (#10).

Para activar el agua muy fría, pulse el interruptor de refrigeración (#14) en su posición encendida (I) pulsando la parte de arriba del interruptor. Si no desea tener agua muy fría puede dejar el botón en su posición apagada (O).

Para activar el agua caliente, pulse el interruptor de calentamiento (#15) en su posición encendida (I) pulsando la parte de arriba del interruptor. Si no desea tener agua caliente puede dejar el botón en su posición apagada (O).

Por favor, espere 15 minutos para que el agua caliente esté caliente. Durante ese tiempo, el indicador luminoso de calentamiento (#2) estará permanentemente encendido. La luz se apagará cuando el proceso de calentado haya terminado. Por favor, espere 1 hora para que el agua muy fría se enfríe. Durante ese tiempo, el indicador luminoso de refrigeración (#3) estará permanentemente encendido. La luz se apagará cuando el proceso de refrigeración haya terminado. Si cualquier error ocurriese durante los procesos de calentamiento y de refrigeración, el indicador luminoso parpadearía.



# Guía de Uso y Mantenimiento

## Dispensando Agua

### Agua muy fría

Una vez que haya pulsado el interruptor de refrigeración (#14) en su posición encendida (I), tardará inicialmente 1 hora para enfriar el agua. Durante este tiempo, el indicador de refrigeración (#3) sobre el icono de agua muy fría estará permanentemente encendido. Durante este tiempo, el compresor podrá funcionar de manera continua. Esto es normal. La luz se apagará cuando el proceso de refrigeración haya sido completado.

1. Sitúe una botella, vaso, jarra o cazo debajo del chorro de agua (#10).
2. Apriete el botón de agua muy fría (#8) hacia abajo para iniciar el chorro de agua.
3. Una vez alcanzado el nivel de agua deseado, deje de apretar el botón de agua muy fría (#8).

### Agua fría

1. Sitúe una botella, vaso, jarra o caso debajo del chorro de agua (#10).
2. Apriete el botón de agua fría (#7) hacia abajo para iniciar el chorro de agua.
3. Una vez alcanzado el nivel de agua deseado, deje de apretar el botón de agua fría (#7).

### Agua Caliente

Una vez que haya pulsado el interruptor de calentamiento (#15) en su posición encendida (I), tardará inicialmente 15-20 minutos para calentar el agua. Durante este tiempo, el indicador de calentamiento (#2) sobre el icono de agua caliente estará permanentemente encendido. La luz se apagará cuando el proceso de calentamiento haya sido completado.

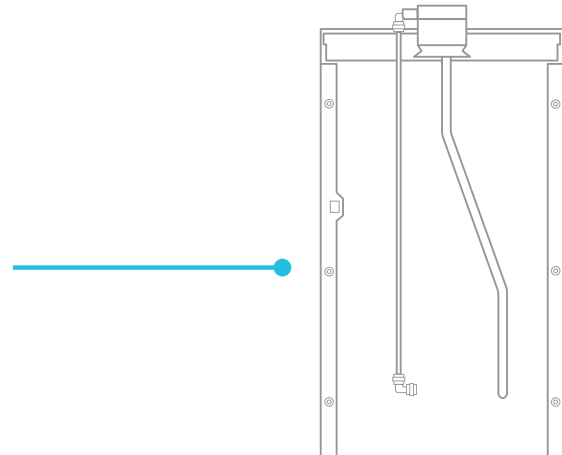
1. Sitúe una botella, vaso, jarra o cazo debajo del chorro de agua (#10).
2. Deslice el cierre rojo de seguridad para niños (#6) a la izquierda y apriete el botón de agua caliente (#5) hacia abajo para iniciar el chorro de agua. Debe sujetar el cierre de seguridad para niños (#6) y apretar el botón al mismo tiempo.
3. Una vez alcanzado el nivel de agua deseado, deje de apretar el botón de agua caliente (#5).

## Cambiando la botella

El indicador luminoso de botella vacía (#4) parpadeará en rojo como aviso de que su botella está vacía y que debe ser reemplazada lo más pronto posible.

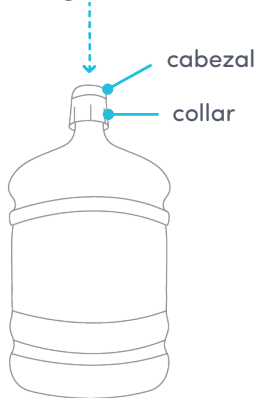
Aviso: No dispense agua caliente, fría o a agua fría si la luz está parpadeando ya que podría vaciar los depósitos y provocar un sobrecalentamiento del dispensador.

1. Abra la puerta del compartimento.
2. Deslice la botella fuera del compartimento.
3. Saque la sonda de la botella vacía. Coloque la sonda en el gancho de la sonda.
4. Aparte la botella vacía.
5. Coloque una nueva botella al lado del compartimento. Quite el tapón de plástico de la botella. Limpie la parte exterior de la nueva botella con un trapo.

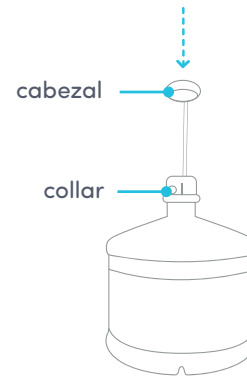


## Cambiando la botella

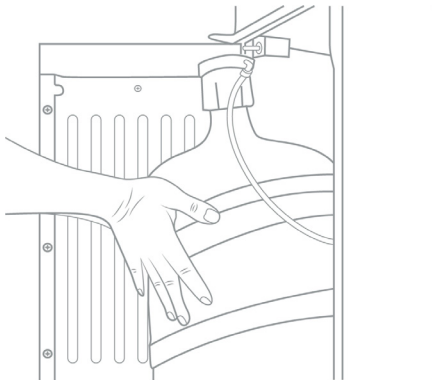
6. Coloque la sonda dentro de la botella. Deslice el collar hasta que haga clic en su sitio. Apriete el cabezal hasta que el tubo llegue al fondo de la botella.



7. Si está usted usando una botella de 3 galones en vez de una de 5 galones, puede ajustar la sonda apretando las dos lengüetas en el cabezal de la sonda y deslizar el collar hasta el cuello de la botella.



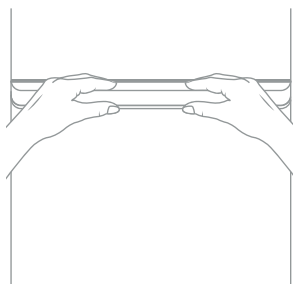
8. Coloque la botella dentro del compartimento y cierre la puerta.



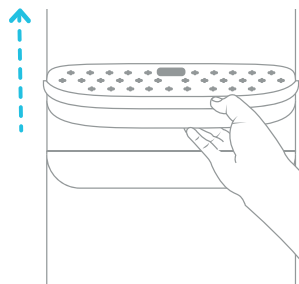
## Vaciado de la Bandeja de Goteo

No se necesita drenaje externo, el desbordamiento se acumulará aquí. El flotador rojo se elevará para indicar cuándo es necesario vaciar la bandeja de goteo.

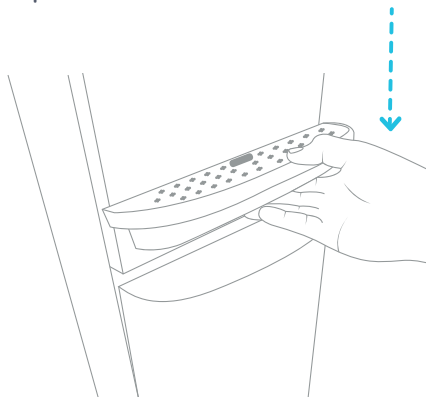
1. Para quitar la bandeja de goteo, sujete el borde frontal de la bandeja de goteo con ambas manos.



2. Levante la bandeja de goteo hacia arriba de la parte superior de la puerta donde se asienta.



3. Después de vaciar la bandeja de goteo, bájela hacia la parte superior de la puerta.



# Limpieza

## Enjuagar, Limpiar y Drenaje

Para prolongar la vida útil de la máquina, se recomienda que la unidad sea limpiada y desinfectada manualmente cada seis meses.

### Para limpiar el exterior de la unidad

Use un desinfectante de su elección para limpiar el exterior de la máquina. El desinfectante no viene incluido con esta unidad. Puede comprarse en cualquier tienda local.

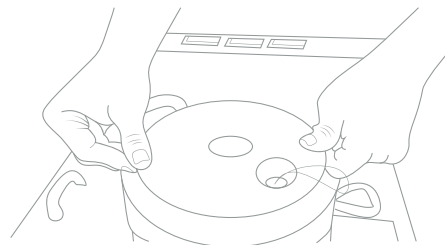
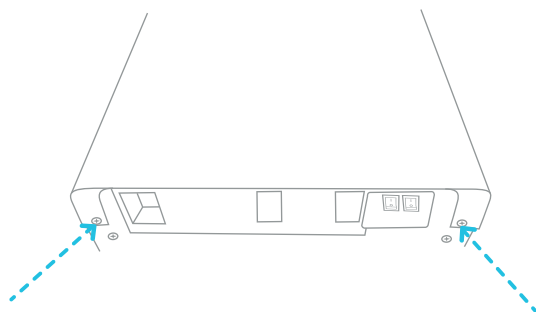
### Para enjuagar el interior de la unidad

La máquina ha sido desinfectada antes de salir de la fábrica. Sin embargo, se recomienda enjuagar y drenar la unidad antes de su instalación.

1. Antes del lavado, asegúrese que los interruptores de refrigeración (#14) y de calentamiento (#15) estén en posición apagada (O) y desconecte la máquina.

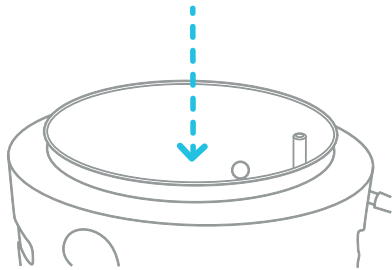


2. Quite los dos tornillos situados detrás (arriba, alineados con los interruptores) del dispensador. Quite la tapa levantándola desde una esquina y tire. Quite la tapa blanca del depósito de agua muy fría y el separador

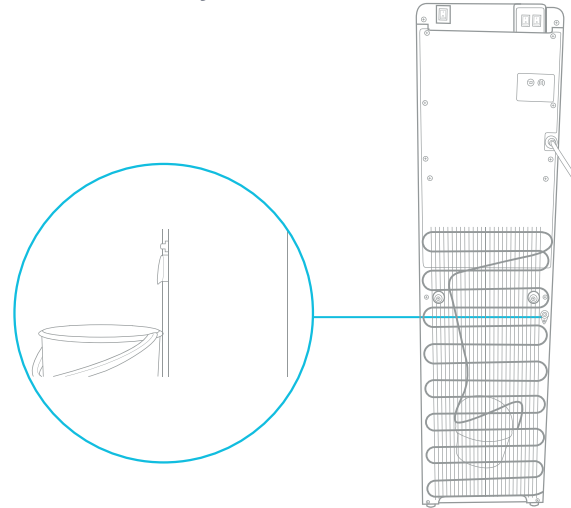


## Enjuagar, Limpiar y Drenaje

3. Llene 0.6 galones (2.27 litros) de agua limpia en el depósito de agua muy fría. (El depósito de agua muy fría es el cilindro abierto tras haberle quitado la tapa blanca).



4. Coloque un gran cubo debajo de la salida de drenaje (#17) situada por detrás de la unidad. Quite el tapón de drenaje y deje que el agua se drene de la unidad. El agua empezará a fluir en cuanto se quite el tapón de drenaje.

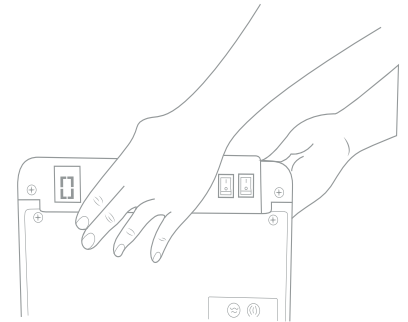
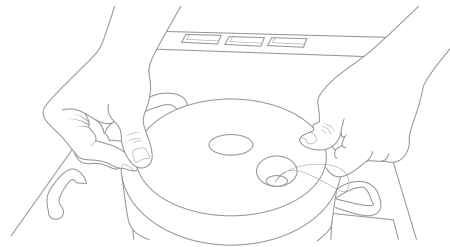
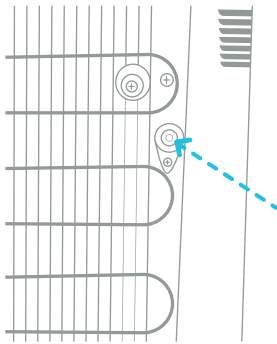


**Cuidado:** El dispensador calentará el agua a una temperatura de aproximadamente 185°F (85°C). Puede causar quemaduras severas si no se maneja con cuidado. Por favor, tenga cuidado cuando lo utilice y lo limpie. Por favor, deje un margen amplio de tiempo para que cualquier agua caliente dentro de la máquina se enfríe antes de drenarla.



## Enjuagar, Limpiar y Drenaje

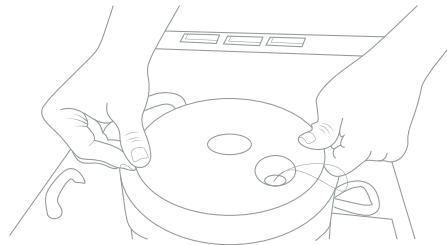
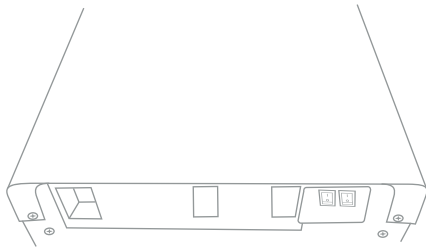
5. Cuando el agua haya sido completamente drenada, vuelva a colocar el tapón de drenaje, la tapa del depósito de agua muy fría y la tapa de la unidad. Asegúrese que los tubos y cables estén de nuevo conectados correctamente y ya puede volver a usar el dispensador de nuevo.



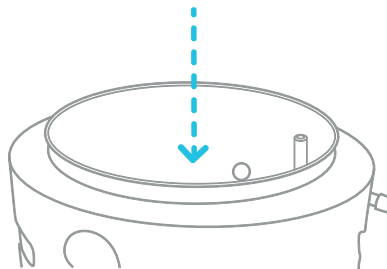
## Limpieza

Para quitar todos los depósitos de minerales que hayan podido surgir en el interior del depósito de agua muy fría, mezcle 4 L de agua con 200 gr de cristales de ácido cítrico (no incluidos) o cualquier otra mezcla de limpieza de su elección.

1. Desatornille la tapa y levante la tapa del depósito de agua muy fría.

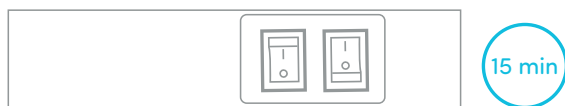


2. Ponga la mezcla en el depósito de agua muy fría de la máquina y asegúrese que el agua pueda fluir a través del chorro de agua (#10).

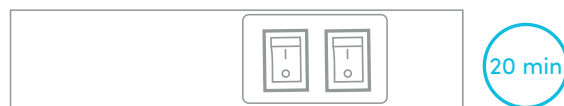


# Limpieza

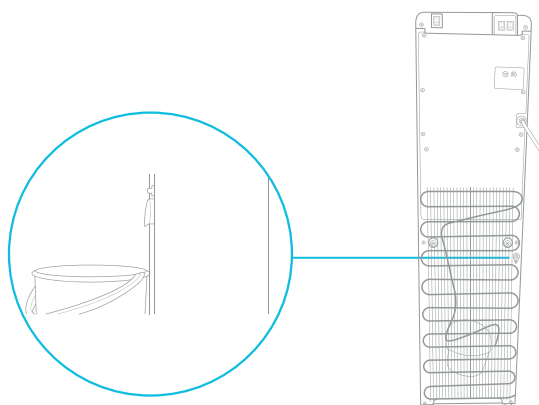
3. Conecte el cable de alimentación y encienda (I) el interruptor de calentamiento (#15). Deje que el agua se caliente durante 15 minutos.



4. Apague (O) el interruptor de calentamiento (#15) y deje que la mezcla líquida se enfríe durante 20 minutos.



5. Drene el líquido a través de la salida de drenaje (#17) y enjuague con agua dos o tres veces siguiendo las instrucciones de enjuague. Solo desmonte las piezas mencionadas para evitar dañar la máquina.



# Solución de problemas

## Solución de problemas

Si tiene algún problema con su distribuidor de agua muy fría, por favor vea las siguientes soluciones. También puede ver nuestros videos de solución de problemas en nuestra página web.

Por favor, no dude en contactar con nosotros si tiene cualquier pregunta.



[support@avalonh2o.com](mailto:support@avalonh2o.com)



[www.avalonh2o.com](http://www.avalonh2o.com)

## Solución de problemas

### Hay una fuga de agua en el dispositivo

Por favor, verifique que todas las conexiones están bien fijadas y que no hay tubos o conexiones sueltas.

### El agua no se dispensa a una temperatura fría o caliente.

Esto puede ser debido a un consumo excesivo de agua en un corto periodo de tiempo que puede haber provocado que los depósitos estén vacíos. Por favor, deje de 5 a 10 minutos para que los depósitos del distribuidor vuelvan a llenarse. Deje también un tiempo razonable para que el agua se caliente y se enfríe.

También puede haber sido causado por una interrupción del suministro eléctrico. Por favor, asegúrese que el cable de alimentación está conectado a un enchufe. Asegúrese que los interruptores de calentamiento (#15) y de refrigeración (#14) estén en su posición encendida (I).

### El agua no se dispensa a través del chorro

- Asegúrese que la botella no esté vacía. Si así fuera, cámbiela por una nueva.
- Asegúrese de apretar completamente los botones y que el seguro anti-niños esté deslizado mientras aprieta al mismo tiempo el botón.

### No hay bombeo de agua tras haber cambiado la botella

- Asegúrese que la puerta del compartimento está cerrada. La puerta debe estar cerrada para que se produzca el bombeo de agua. Desconecte el dispensador y compruebe todas las conexiones en el compartimento de la botella. Puede ocurrir que alguna conexión se afloje cuando mueva la botella. Por muy leve que sea, una conexión floja puede provocar que el dispensador no funcione correctamente.

### La luz nocturna no funciona

- Compruebe que el cable de alimentación esté bien conectado.
- Compruebe que el interruptor de luz nocturna (#13) esté en su posición encendida (I) en la parte de atrás del dispensador.

### El Dispensador es extremadamente ruidoso

- Compruebe que el dispensador esté posicionado sobre una superficie plana.

# Seguridad

## Seguridad

Para reducir los riesgos de lesiones y daños materiales, el usuario debe leer completamente esta guía antes de montar, instalar y utilizar este dispensador.

Un fallo a la hora de ejecutar las instrucciones de este manual puede causar daños personales o materiales.

Este producto dispensa agua a muy altas temperaturas. No usarlo correctamente puede causar daños personales.

Cuando esté usando este dispensador, siempre ejecute unas precauciones básicas de seguridad, incluidas las siguientes:

- Antes de usarse, este dispensador debe montarse correctamente y ser instalado según establezca este manual.
- Este dispensador está concebido únicamente para dispensar agua. NO lo use con otros líquidos. NO lo use para otros propósitos. Nunca use otros líquidos en el dispensador más que el agua de grifo microbiológicamente segura.
- Únicamente para un uso en interiores. Mantenga el dispensador de agua en un lugar seco y alejado de la luz directa del sol. NO lo use en exteriores.
- Instálelo y úselo únicamente en una superficie dura y plana.
- NO instale el dispensador en un espacio cerrado o armario.
- NO utilice el dispensador en presencia de vapores explosivos.
- La parte de atrás del dispensador debe estar separada del muro con al menos 20 cm y debe permitir que circule el aire entre el muro y el dispensador. Debe haber al menos 20 cm de espacio en los laterales del dispensador para permitir que circule el aire.
- Utilice únicamente tomas de corrientes con línea a tierra.
- No use un alargador de cable con su dispensador de agua
- Siempre agarre el conector y tire desde el enchufe. Nunca desconecte tirando del cable de alimentación.
- Para prevenir descargar eléctricas, NO sumerja el cable, enchufe o cualquier otra pieza del dispensador en agua u otro líquido.



## Seguridad

- Asegúrese que el dispensador esté desconectado antes de ser limpiado.
- Nunca deje que los niños sirvan agua caliente sin una correcta y directa supervisión. Desconecte la unidad para evitar cualquier uso sin supervisión por parte de niños.
- El mantenimiento debe ser únicamente realizado por un técnico cualificado.
- Cuidado: No dañe el circuito refrigerante.
- Este dispositivo puede ser utilizado por niños mayores de 8 años siempre y cuando hayan recibido una supervisión o unas instrucciones con respecto a la utilización del dispositivo de una manera segura y siempre que entiendan sus riesgos derivados. La limpieza y el mantenimiento por parte del usuario no deben ser realizados por niños salvo que sean mayores de 8 años y estén bajo supervisión. Mantenga el dispositivo y su cable fuera del alcance de niños menores de 8 años.
- El dispositivo puede ser usado por personas con capacidad física, mental o sensorial reducidas o falta de experiencia y conocimiento si han recibido una supervisión o instrucciones con respecto a un uso seguro del dispositivo y si entienden los riesgos derivados. Los niños no deben jugar con el dispositivo.
- Este dispositivo está concebido para un uso doméstico o similar como:
  - zonas de cocina en tiendas, oficinas y otros ambientes de trabajo, ambientes de hoteles y aplicaciones no comerciales.
  - No guarde sustancias explosivas como aerosoles con propulsores inflamables en este dispositivo.
  - Si el cable de alimentación estuviera dañado, debe ser reemplazado por un cable especial disponible donde el fabricante o por su intermediario.
- Nunca ponga la máquina boca abajo ni la incline a más de 45°.
- El termostato ha sido ajustado. No hay ninguna necesidad de que lo ajuste usted mismo. Cuando la máquina esté por debajo del punto de congelación y esté bloqueada por el hielo, deberá apagar el interruptor de refrigeración durante 4 horas antes de volver a encenderlo y seguir usándola.
- Esta máquina no debe volver a conectarse de nuevo hasta pasados 3 minutos desde que fue desconectada.

# Garantía

# Garantía

Los modelos incluidos son:

A1TLWATERCOOLER, A2TLWATERCOOLER, A3BLOZONEWTRCLR, A3F, A3F-SC, A4BLWTRCLR, A4F, A1BOTTLELESS, A5BOTTLELESS, A5BLK, A6BLWTRCLRWH, A6BLWTRCLRBLK, A7BOTTLELESS, A7BOTTLELESSBLK, A8COTTLELESSWHT, A8COTTLELESSBLK, A9ELECTRICSS, A9ELECTRICBLK, A9ELECTRICWHT, A10-TL, A11-CTTL, A12-CTPOU, A13, A14, A15, A1CTWTRCLRBLK, A1CTWTRCLRWH, A3BLK, A4F, A5BLK, A6SC-WHT, A6SC-BLK, A10BLK, A11BLK, A12BLK, A13BLK, A14BLK, A13CT, A13-S, B8WHT, B8BLK, A9, A23, A23BLK, A24, A25, A25BLK

Los productos enumerados anteriormente están cubiertos por los términos de esta Garantía limitada. Para los propósitos de esta Garantía limitada, el término "producto" significa cualquier enfriador de agua embotellado o sin botella fabricado para Avalon. Avalon garantiza que, a opción de Avalon, reemplazará o reparará el producto Avalon del Comprador vendido en los EE. UU. O Canadá por un minorista autorizado si ese producto es defectuoso debido a mano de obra o materiales defectuosos, sujeto a las limitaciones descritas en esta Garantía limitada. Avalon no asume ninguna responsabilidad por la calidad de los productos, excepto que se disponga lo contrario en esta garantía. No existen garantías que se extiendan más allá de la descripción en el anverso del presente. Esta garantía limitada es válida solo en relación con la compra original de nuevos productos a minoristas autorizados y se extiende desde la fecha de compra original del producto original comprado. Esta garantía se extiende únicamente al comprador original del producto y tiene una duración de un (1) año a partir de la fecha de la compra original o hasta que el comprador original del producto venda o transfiera el producto, lo que ocurra primero. Un "comprador original", a los efectos de esta Garantía limitada, es una persona o entidad que compra el producto directamente de Avalon o un minorista autorizado de Avalon con la intención de utilizar el producto para uso personal de consumo y uso comercial o industrial y no con la intención de revender el producto. Un "minorista autorizado", a los efectos de esta Garantía limitada, es una persona o entidad autorizada por Avalon para vender el producto directamente a los compradores originales. Una persona o entidad que compra el producto de cualquier fuente con la intención de revender el producto es un revendedor no autorizado ("revendedor no autorizado"). A los efectos de esta Garantía limitada, un "Tercero" se considerará cualquier plomero, empresa de mantenimiento o individuo contratado por el Comprador.

Esta Garantía limitada no se aplica a productos usados, reacondicionados, renovados, modelo de piso o "demostración", ni a productos vendidos por revendedores no autorizados, incluidos, entre otros, revendedores no autorizados en sitios web de terceros, incluidos, entre otros, Craigslist, eBay, Amazon, etc. Los revendedores no autorizados no son "compradores originales" a los efectos de esta Garantía limitada. Si el comprador no es el comprador original de este producto, el comprador toma el producto "TAL CUAL", "con todos los defectos" y sin garantía. Avalon se reserva el derecho de solicitar un número de serie válido ubicado en su producto para enviar un reclamo válido bajo esta Garantía limitada. Los productos en los que se haya eliminado el número de serie o la evidencia que muestre la eliminación o el intento de eliminación de la etiqueta del número de serie no serán elegibles para realizar una reclamación bajo esta Garantía limitada. SI LA COMPRA DE ESTE PRODUCTO NO FUE DIRECTAMENTE A AVALON, SE REQUIERE UN COMPROBANTE DE COMPRA PARA DEMOSTRAR QUE EL COMPRADOR ES EL COMPRADOR ORIGINAL Y EL PRODUCTO FUE COMPRADO A UN MINORISTA AUTORIZADO Y QUE PUEDE HACER UNA RECLAMACIÓN VÁLIDA.

Su fecha de compra se establece a partir de la fecha de su recibo de compra. Avalon puede requerir que el comprador proporcione prueba de la calidad y el estado del enfriador de agua si el comprador realiza un reclamo bajo esta Garantía limitada. Avalon se reserva el derecho de invalidar esta Garantía limitada si se determina que el enfriador de agua, a discreción razonable de Avalon, es inadecuado o si el enfriador de agua se encuentra en condiciones insalubres. Esta garantía no se aplica si el producto se dañó o falló debido a un accidente, manejo u operación inadecuados, reubicación, abuso, mal uso, reparaciones no autorizadas realizadas o intentadas, o instalación o mantenimiento incorrectos. En virtud de esta Garantía limitada, los productos deben enchufarse directamente a un tomacorriente de pared con conexión a tierra. Conectar un producto a un cable de extensión o protector de sobretensión se considerará un uso indebido y anulará esta Garantía limitada. Si se ha producido un daño en el producto durante el envío, se debe informar el daño a Avalon dentro de los primeros 30 días a partir de la fecha de compra original para ser elegible para realizar un reclamo bajo la Garantía limitada. Los daños de envío informados a Avalon fuera de los primeros 30 días a partir de la fecha de compra original no serán elegibles para una reclamación válida bajo esta Garantía limitada. Esta garantía no cubre los costos de envío para la devolución de productos a Avalon para su reparación o reemplazo.

Para enviar un reclamo válido bajo esta Garantía limitada, se requiere la resolución de problemas del producto con un experto en éxito del cliente de Avalon. Si el Comprador rechaza la solución de problemas del producto, Avalon se reserva el derecho de rechazar el Reclamo de garantía limitada. En caso de que una pieza sea necesaria para corregir el problema con un Producto, Avalon proporcionará la pieza sin costo al comprador original bajo esta Garantía limitada. Es necesario reemplazar piezas o intentar corregir un problema con el Producto antes de presentar un reclamo por un producto de reemplazo bajo esta Garantía limitada. Avalon proporcionará las instrucciones para solucionar problemas de un Producto o reemplazar una pieza. La resolución de problemas, las reparaciones, el reemplazo de piezas, la instalación y el mantenimiento adecuado son responsabilidad del Comprador. Las instrucciones para la instalación y el mantenimiento adecuados se proporcionarán en el manual del usuario.

La instalación, el mantenimiento o las reparaciones del Producto son responsabilidad del Comprador. El Comprador se reserva el derecho de utilizar a un Tercero para la instalación, el mantenimiento y la reparación bajo su propio riesgo. Avalon no es responsable de ningún costo adicional incurrido por la instalación, mantenimiento o reparación del Producto, incluido, entre otros, el material adicional necesario para la instalación o el costo de un Tercero. Los daños o fallas del Producto debido a una instalación, mantenimiento o reparación inadecuados causados por un Tercero o el Comprador no son responsabilidad de Avalon y no estarán cubiertos por esta Garantía limitada. Las instrucciones para la instalación y el mantenimiento adecuados se proporcionarán en el manual del usuario.

CUALQUIER Y TODAS LAS GARANTÍAS, EXPRESAS O IMPLÍCITAS (INCLUYENDO, SIN LIMITACIÓN, CUALQUIER GARANTÍA IMPLÍCITA DE COMERCIABILIDAD), DURAN UN AÑO A PARTIR DE LA FECHA DE COMPRA ORIGINAL O HASTA QUE EL COMPRADOR ORIGINAL DEL PRODUCTO VENDE O TRANSFIERE EL PRIMER. EN NINGÚN CASO LA RESPONSABILIDAD DE AVALON BAJO NINGUNA GARANTÍA EXPRESA O IMPLÍCITA INCLUIRÁ (I) DAÑOS INCIDENTALES O CONSECUENTES DE CUALQUIER CAUSA, INCLUYENDO PERO NO LIMITADO A DAÑOS ELÉCTRICOS O POR AGUA, O (II) REEMPLAZO O REPARACIÓN DE CUALQUIER INTERRUPTOR RECEPTÁCULOS, A PESAR DE LO CONTRARIO, EN NINGÚN CASO LA RESPONSABILIDAD DE AVALON BAJO NINGUNA GARANTÍA EXPRESA O IMPLÍCITA EXCEDERÁ EL PRECIO DE COMPRA DEL PRODUCTO Y CUALQUIER RESPONSABILIDAD TERMINARÁ AL VENCIR EL PERIODO DE GARANTÍA.

Salvo que se disponga lo contrario, Avalon no cobrará al Comprador original por reparar o reemplazar el Producto del comprador si se considera defectuoso durante la vigencia de esta Garantía limitada, pero los costos de transporte asociados con reparaciones o reemplazos son responsabilidad del Comprador. No se proporciona ninguna garantía nueva con un producto de reemplazo. La garantía del producto de reemplazo se extiende a partir de la fecha de compra original del producto original. En el caso de que la reparación sea necesaria, dicha reparación no tendrá ningún cargo para el Comprador, excepto por los costos de transporte asociados con dicha reparación o reemplazo de un producto de conformidad con los términos de esta Garantía limitada.

En caso de que se presente un reclamo de garantía y se considere necesario un reemplazo de garantía, el comprador deberá entregar el producto original a Avalon en el momento del reemplazo.

Algunos estados y provincias no permiten limitaciones sobre la duración de una garantía implícita o la exclusión o limitación de daños incidentales o consecuentes, por lo que estas exclusiones o limitaciones pueden no aplicarse en su caso. Esta garantía le otorga derechos legales específicos. También puede tener otros derechos que varían de un estado a otro y de una provincia a otra.







Quelques pas très simples pour  
garantir une eau parfaite, à  
n'importe quel moment.





# Nous Sommes là Pour Vous Aider

---



Nous sommes également disponibles pour le tchat vidéo en direct

## Envoyez-Nous un E-mail:

[support@avalonh2o.com](mailto:support@avalonh2o.com)

[sales@avalonh2o.com](mailto:sales@avalonh2o.com)

## Disponibilité:

Lundi-Vendredi: 9h-17h

# Connectons-Nous

---

Suivez nos comptes de réseaux sociaux et restez au courant des dernières nouvelles d'Avalon.



[@avalon\\_h2o](https://www.instagram.com/avalon_h2o)



[Avalon Water Coolers](https://www.facebook.com/AvalonWaterCoolers)



[Avalonh2o](https://www.twitter.com/Avalonh2o)

[www.avalonh2o.com](http://www.avalonh2o.com)

# Manuel d'Utilisation et de Maintenance

MODÈLES: A24

Registre:

S'il vous plaît, visitez le lien suivant pour pouvoir enregistrer votre nouvelle fontaine d'eau froide dans les 30 jours à partir de la date de votre achat. Enregistrer votre produit durant les 30 premiers jours activera votre garantie pendant un an.

[www.avalonh2o.com/register-my-avalon-cooler](http://www.avalonh2o.com/register-my-avalon-cooler)

S'il vous plaît, gardez votre numéro de modèle, numéro de commande et la date de l'achat pour une future assistance. Vous pouvez nous contacter à [support@avalonh2o.com](mailto:support@avalonh2o.com).

Numéro de modèle \_\_\_\_\_

Numéro de commande \_\_\_\_\_

Date de l'achat \_\_\_\_\_



# Contenu

## Concernant votre fontaine

Connaissez votre produit Avalon	1
Noms des composants	2-3
Voyants lumineux	4
Spécifications techniques	5
BioGuard	5

## Commencement

Déballage de votre Fontaine Avalon	7
Installation bouteille d'eau	8-9
Installer/Enlever Plateau anti-goutte	10
Allumer la Fontaine	11
Activer le chauffage et le refroidissement	12

## Guide d'utilisation et de maintenance

Faire couler l'eau	14
Changer la bouteille	15-16

## Nettoyage

Rincer, Laver et Drainage	18-20
Nettoyage	21-22

## Dépannage

24-25

## Sécurité

27-28

## Garantie

30



# Connaissez votre produit Avalon



## Sécurité pour les enfants

Garantit un jet d'eau chaude sûr pour toute la famille



## Fabriquée avec veilleuse de nuit

Facilite aller boire de l'eau pendant la nuit



## Protection UL

Nous concevons & construisons en pensant à votre sécurité



## Design attractif

Conception attrayante en acier inoxydable avec bec verseur unique



## Températures sur mesure

Très chaude, fraîche, ou eau super froide



## Chargement inférieur

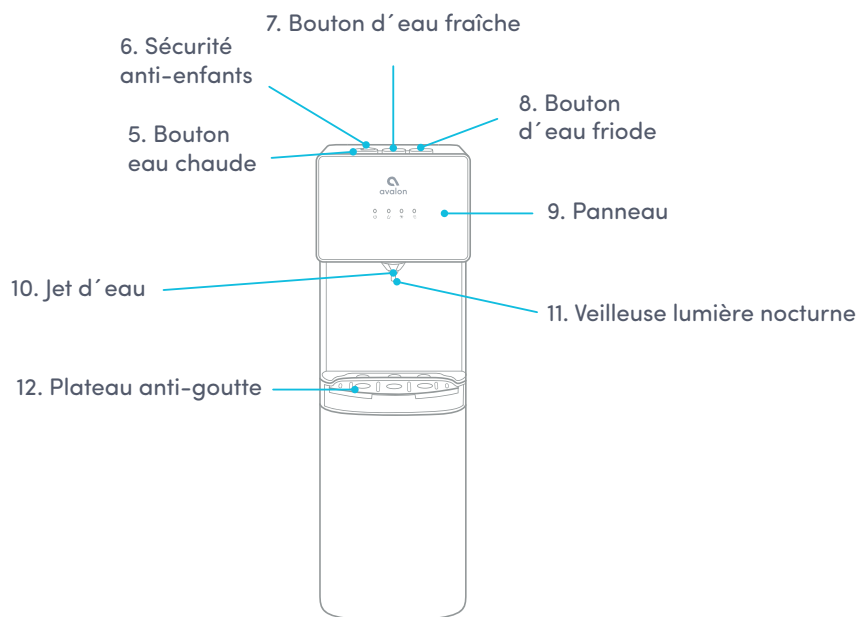
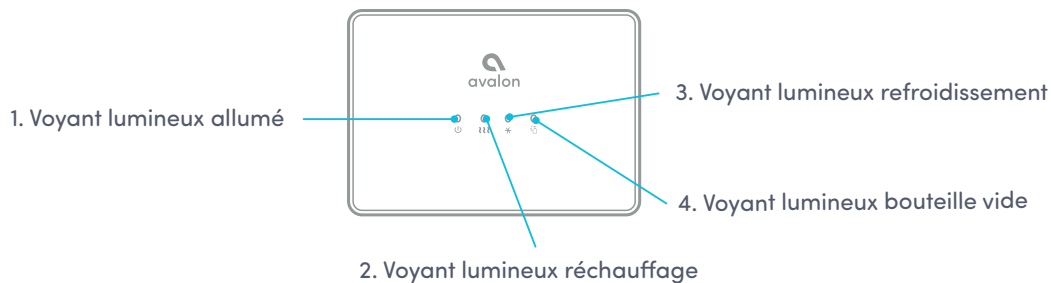
Fini les soulèvements, pirouettes et écoulements



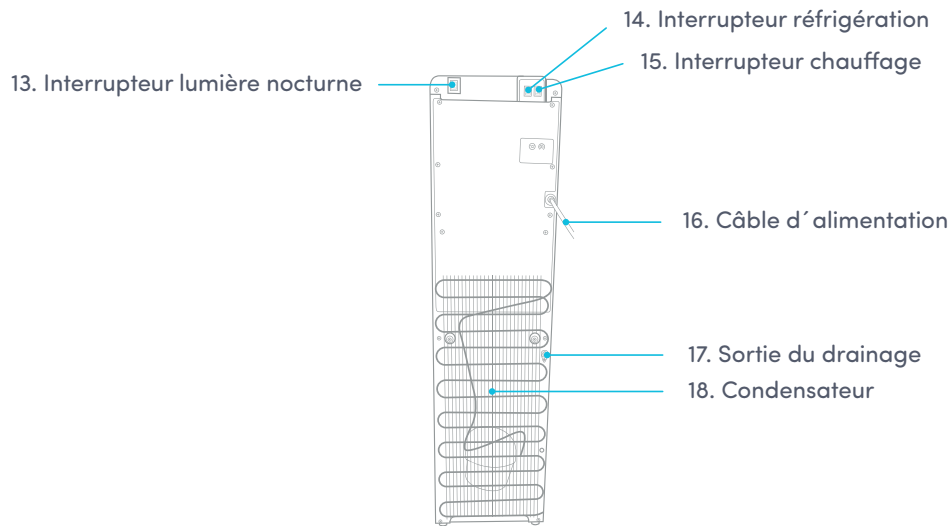
## Indicateur de bouteille vide

Vous informe quand la bouteille est vide

## Noms des composants



# Noms des composants



## Voyants lumineux



### Voyant Lumineux Allumé

Cette lumière demeurera allumée pour indiquer que le dispositif est connecté et allumé.



### Voyant lumineux réchauffage

Cette lumière indique que l'eau est en train de se chauffer. La lumière demeurera allumée pendant que l'eau se chauffe et elle s'éteindra lorsque l'eau atteindra la température adéquate de 185°F (85°C). Quand l'eau sort à travers le jet, le réservoir d'eau chaude se remplit et l'eau se réchauffe à nouveau. Pendant le temps que l'eau se réchauffe, cette lumière continuera allumée.



### Voyant lumineux de refroidissement

Cette lumière indique que l'eau est en train de se refroidir. La lumière demeurera allumée pendant que l'eau se refroidit et elle s'éteindra lorsque l'eau atteindra la température adéquate de 47°F (8.3°C). Quand l'eau sort à travers le jet, le réservoir d'eau froide se remplit et l'eau se refroidit à nouveau. Pendant le temps que l'eau se refroidit, cette lumière continuera allumée.



### Voyant lumineux bouteille vide

Cette lumière indique que la bouteille de dessous est vide et qu'elle doit donc être changée. La lumière rouge commencera à clignoter pour vous prévenir que la bouteille est vide.



## Spécifications techniques

Modèles	A24
Chaude/friode/Fraîche Sortie	1.8L/min / 2.2L/min / 2.0L/min
Capacité d'eau chaude	4 L/h ( ≥ 185°F)
Volume du réservoir d'eau chaude	1.16 Litres
Capacité d'eau friode	2.5 L/h ( ≤ 47°F)
Volume du réservoir d'eau friode	3.6 Litres
Taille du produit	14"(L)x12"(W)x40"(H)
Taille du Paquet	15.5"(L)x14"(W)x44"(H)
Poids Net/Poids Brut	36.15 lb /46.5 lb
Voltage/Fréquence	115 V 60Hz
Méthode de réfrigération	Compresseur
Méthode du chauffage	Élément Interne
Watts du chauffage / Watts de la réfrigération	420W / 100 W
Consommation électrique	520 W

# Commencement

## Déballage de votre fontaine d'eau froide Avalon

Ce dispositif a été nettoyé avant de sortir de l'usine. Pour éliminer toute poussière ou saleté accumulées pendant le transport, nous vous recommandons de nettoyer le dispositif avant de l'installer. Pour voir les instructions de nettoyage, lisez les pages 19-23.

### Placer la Fontaine


NE CONNECTEZ PAS encore le câble d'alimentation.

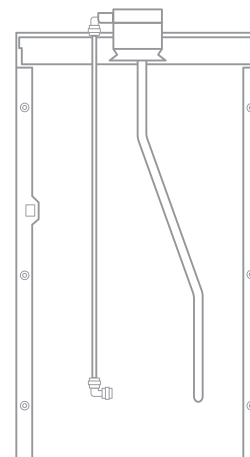
Placez la Fontaine droite sur une surface dure et plane, dans un endroit frais et à l'ombre, à côté d'une prise de courant du mur. Situez la Fontaine de manière qu'elle ait une distance de 4 pouces par rapport au mur aussi bien derrière que sur ses côtés.

### Déballage

Déballez la machine, ouvrez le compartiment pour prendre le plateau anti-goutte et installez-le à sa place sur la porte du compartiment, pour cela, suivez les instructions de la page 17.

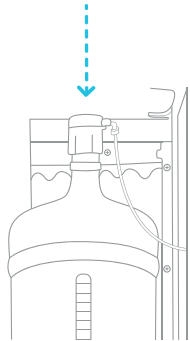
## Installation Bouteille d'eau

1. Ouvrez la porte du compartiment.
2. Placez la sonde sur le crochet. 
3. Placez une bouteille neuve à côté du compartiment.
4. Enlevez le bouchon en plastique de la bouteille.
5. Nettoyez l'extérieur de la nouvelle bouteille avec un chiffon.

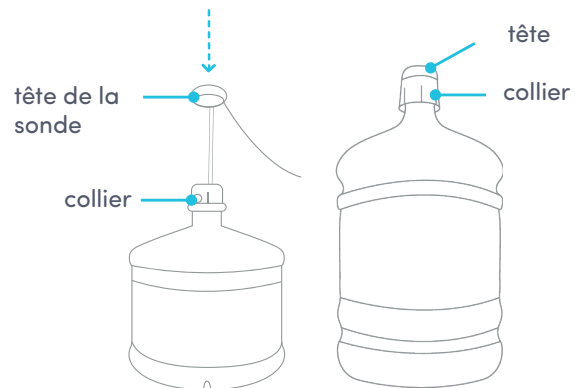


## Installation de la Bouteille d'eau

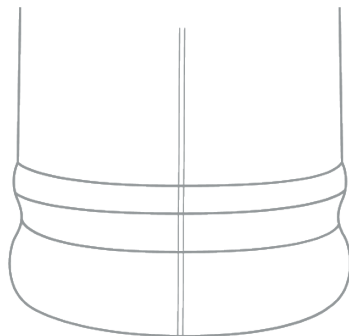
6. Placez la sonde dans la bouteille.



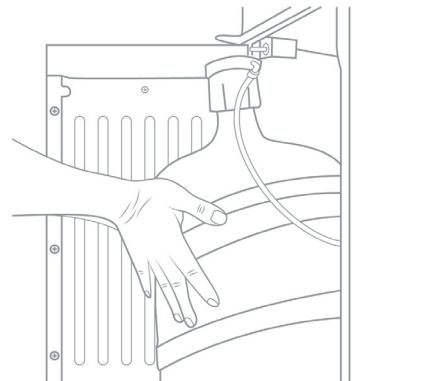
7. Glissez le collier jusqu'à qu'il fasse clic à sa place. Si vous utilisez une bouteille de 3 gallons au lieu d'une de 5 gallons, vous pouvez régler les deux languettes en les appuyant sur le bout de la sonde et glissez le collier jusqu'au col de la bouteille.



8. Appuyez sur la tête de la sonde jusqu'à que le tube arrive au fond de la bouteille.



9. Placez la bouteille à l'intérieur du compartiment et fermez la porte.



## Allumer la Fontaine

Connectez le câble d'alimentation à une prise de terre sur un mur. À ce moment là, la pompe commencera à pomper l'eau de la bouteille vers les réservoirs d'eau chaude et froide. Il faudra environ 12 minutes pour remplir les réservoirs la première fois. Pendant ce temps, la pompe fonctionnera tout le temps. Ceci est tout à fait normal.

## Activer le chauffage et le refroidissement

Avant d'allumer les interrupteurs de chauffage (#15) ou de réfrigération (#14), vérifiez que l'eau est déjà en train de remplir les réservoirs internes en faisant couler une goutte d'eau de jet d'eau (#10).

Pour activer l'eau froide, appuyez sur l'interrupteur de réfrigération (#14) sur sa position ON (I) en appuyant la partie d'en haut de l'interrupteur. Si vous ne voulez pas avoir d'eau froide, vous pouvez laisser l'interrupteur sur sa position fermée (O).

Pour activer l'eau chaude, appuyez sur l'interrupteur de chauffage (#15) sur sa position ON (I) en appuyant la partie d'en haut de l'interrupteur. Si vous ne voulez pas avoir d'eau chaude, vous pouvez laisser l'interrupteur sur sa position fermée (O).

Patiencez 15 minutes pour que l'eau puisse être chaude. Pendant ce temps, le voyant lumineux de réchauffage (#2) restera allumé. La lumière s'éteint lorsque le processus de réchauffage de l'eau est terminé. Patiencez 1 heure pour que l'eau soit refroidie. Pendant ce temps, le voyant lumineux de réfrigération (#3) restera allumé. La lumière s'éteint lorsque le processus de réfrigération de l'eau est terminé. S'il se produisait n'importe quelle erreur pendant les processus de réchauffage et de réfrigération, le voyant lumineux clignoterait.

# Guide d'utilisation et maintenance



## Faire couler l'eau

### Eau froide

Quand vous aurez appuyé l'interrupteur de réfrigération (#14) sur sa position allumé (I), le dispositif mettra environ 1 heure pour refroidir l'eau. Pendant ce temps, le voyant lumineux de refroidissement (#3) sur le symbole d'eau froide restera allumé. Pendant ce temps, le compresseur peut fonctionner sans arrêt. Ceci est normal. La lumière s'éteint quand le processus de réfrigération est terminé.

1. Placez une bouteille, un verre, une carafe ou une casserole sous le jet d'eau (#10).
2. Appuyez sur le bouton d'eau froide (#8) pour faire couler l'eau.
3. Lorsque vous avez atteint le niveau d'eau souhaité, cessez d'appuyer sur le bouton d'eau froide (#8).

### Eau fraîche

1. Placez une bouteille, un verre, une carafe ou une casserole sous le jet d'eau (#10).
2. Appuyez sur le bouton d'eau fraîche (#7) pour faire couler l'eau.
3. Lorsque vous avez atteint le niveau d'eau souhaité, cessez d'appuyer sur le bouton d'eau fraîche (#7).

### Eau Chaude

Quand vous aurez appuyé l'interrupteur de chauffage, (#15) dans sa position allumé (I), le dispositif mettra environ 15-20 minutes pour chauffer l'eau. Pendant ce temps, le voyant lumineux de réchauffage (#2) sur le symbole d'eau chaude restera allumé. La lumière s'éteint quand le processus de réchauffage est terminé.

1. Placez une bouteille, un verre, une carafe ou une casserole sous le jet d'eau (#10).
2. Faites glisser vers la gauche le verrou rouge de sécurité pour enfants (#6) et appuyez sur le bouton d'eau chaude (#5) pour faire couler l'eau. Vous devez appuyer en même temps le verrou de sécurité pour enfant (#6) et le bouton d'eau chaude.
3. Lorsque vous avez atteint le niveau d'eau souhaité, cessez d'appuyer sur le bouton d'eau chaude (#5).

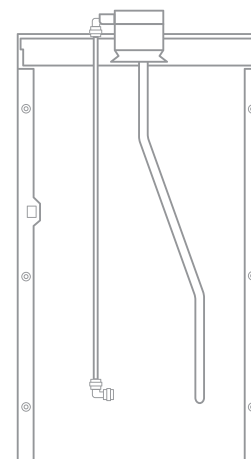
## Changer la bouteille

Le voyant lumineux de bouteille vide (#4) commencera à clignoter en rouge pour signaler que la bouteille est vide et qu'elle doit être remplacée le plus tôt possible.

Attention: Ne faites pas couler de l'eau chaude, froide ou fraîche si la lumière clignote car vous pourriez vider les réservoirs et provoquer une surchauffe de la fontaine.

1. Ouvrez la porte du compartiment.
2. Faites glisser la bouteille en dehors du compartiment.

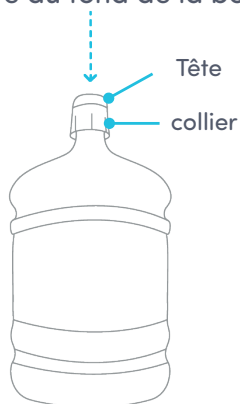
3. Sortez la sonde de la bouteille vide. Mettez la sonde sur le crochet.



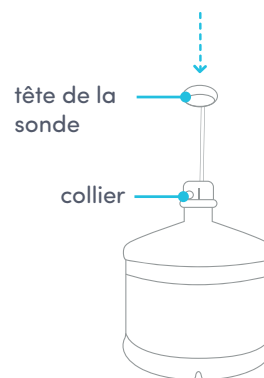
4. Enlevez la bouteille vide.
5. Mettez une nouvelle bouteille à côté du compartiment. Enlevez le bouchon en plastique de la bouteille. Nettoyez la partie extérieure de la nouvelle bouteille avec un chiffon.

## Changer la bouteille

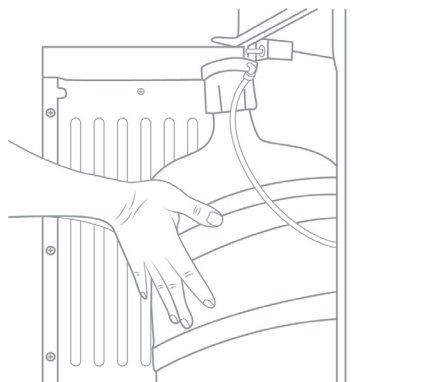
6. Placez la sonde la bouteille. Faites glisser le collier jusqu'à qu'il fasse clic à sa place. Appuyez le bout de la sonde jusqu'à que le tube arrive au fond de la bouteille.



7. Si vous utilisez une bouteille de 3 gallons au lieu d'une de 5 gallons, vous pouvez régler les deux languettes sur le bout de la sonde et faire glisser le collier jusqu'au col de la bouteille.



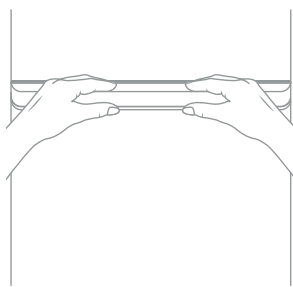
8. Placez la bouteille dans le compartiment et fermez la porte.



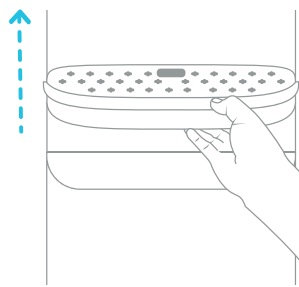
## Vider le bac

Aucune vidange externe n'est nécessaire, le trop-plein s'accumulera ici. Le flotteur rouge montera pour indiquer quand le bac d'égouttage doit être vidé.

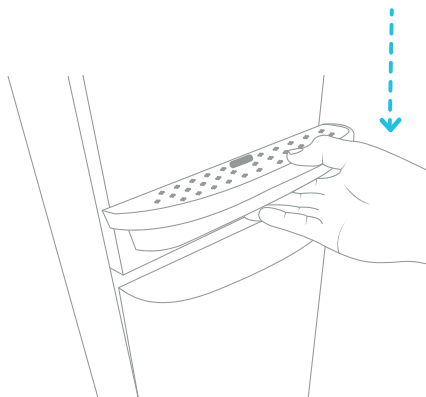
1. Pour retirer le bac d'égouttement, saisissez la lèvre avant du bac d'égouttage avec les deux mains.



2. Soulevez le bac d'égouttage vers le haut hors du haut de la porte où il se trouve.



3. Après avoir vidé le bac d'égouttage, abaissez-le dans le haut de la porte.



# Nettoyage

## Rincer, Nettoyer et Drainer

Pour prolonger la durée de vie de votre machine, nous vous recommandons que le dispositif soit nettoyé et désinfecté manuellement tous les six mois.

### Pour nettoyer l'extérieur du dispositif

Utilisez un désinfectant de votre choix pour nettoyer l'extérieur de la machine. Le désinfectant n'est pas inclus avec ce dispositif. Vous pouvez l'acheter dans n'importe quel magasin.

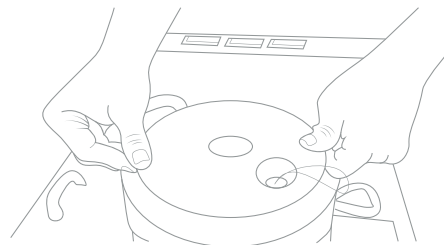
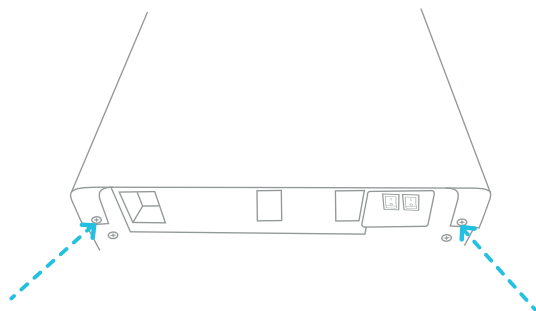
### Pour rincer l'intérieur du dispositif

Cette machine a été désinfectée avant de sortir de l'usine. Cependant, nous vous recommandons de rincer et de drainer le dispositif avant de réaliser son installation.

1. Avant de réaliser le nettoyage, vérifiez que les interrupteurs de réfrigération (#14) et de chauffage (#15) sont éteints (O) et déconnectez la machine.

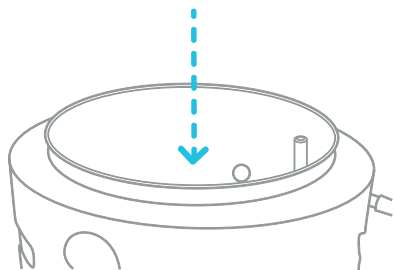


2. Enlevez les deux vis à l'arrière de la fontaine (en haut, alignés avec les interrupteurs). Retirez le couvercle en le soulevant depuis un angle et tirez. Enlevez le couvercle blanc du réservoir d'eau froide et le séparateur.

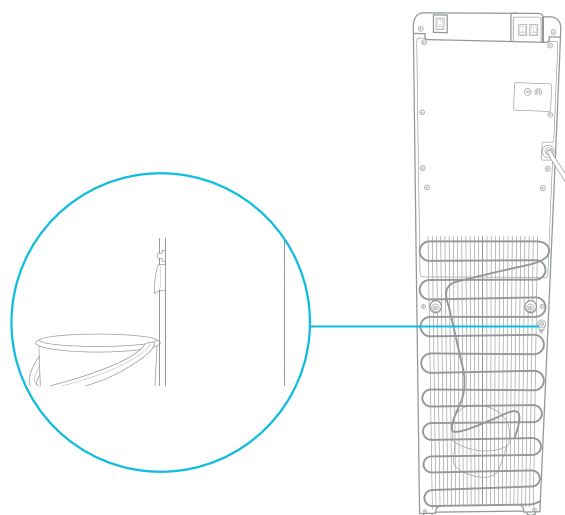


## Rincer, Nettoyer et Drainer

3. Remplissez 0.6 galons (2.27 litres) d'eau propre dans le réservoir d'eau froide. (Le réservoir d'eau froide et le couvercle blanc).



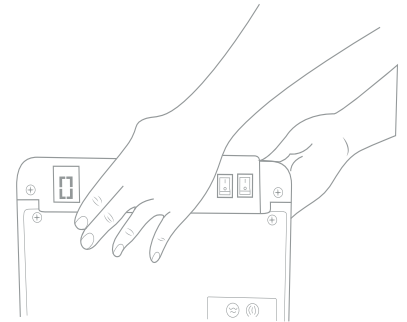
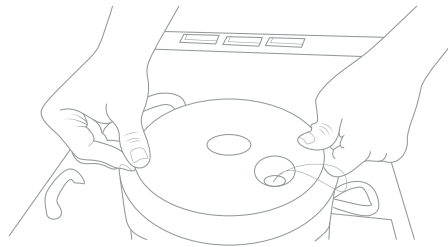
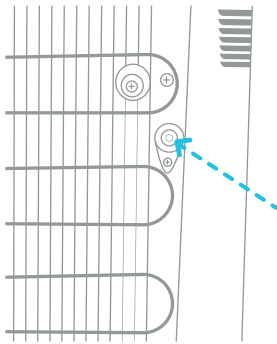
4. Placez un grand seau sous la sortie de drainage (#17) située derrière le dispositif. Enlevez le bouchon de drainage et laissez couler l'eau pour drainer le dispositif. L'eau commencera à se drainer dès que vous enlèverez le bouchon de drainage.



**Attention:** La fontaine chauffe l'eau à une température aux environs de 185°F (85°C). Cela peut provoquer des brûlures sévères si vous ne faites pas attention lorsque vous l'utilisez ou vous la nettoyez. S'il vous plaît, laissez un laps de temps important parce que toute eau chaude à l'intérieur de la machine se refroidisse avant de faire le drainage

## Rincer, Nettoyer et Drainer

5. Quand l'eau a été complètement drainée, remettez le bouchon de drainage, le couvercle du réservoir d'eau froide et le couvercle du dispositif. Vérifiez que tous les tubes et câbles soient à nouveau connectés et vous pourrez utiliser à nouveau la fontaine d'eau froide.

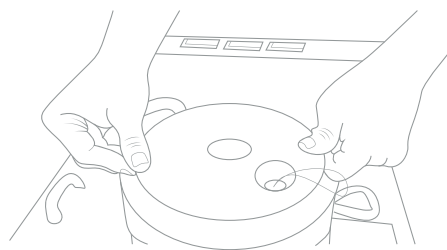
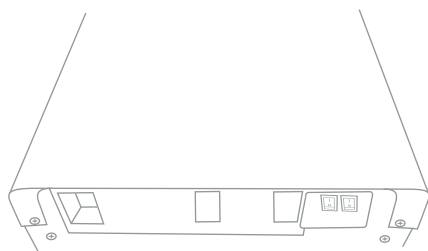




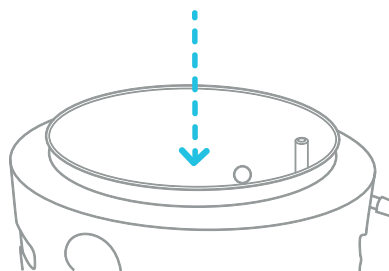
## Nettoyage

Pour éliminer les dépôts de minerais qui peuvent apparaître au fond du réservoir d'eau froide, mélangez 4 L d'eau avec 200 gr de cristaux d'acide citrique (non inclus) ou n'importe quel autre mélange de nettoyage de votre choix.

1. Dévissez le couvercle et retirez-le du réservoir d'eau froide.

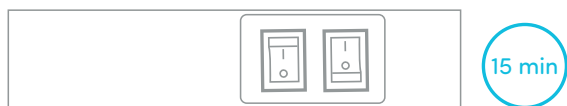


2. Mettez le mélange dans le réservoir d'eau froide de la machine et vérifiez que l'eau puisse couler à travers le jet d'eau (#10).

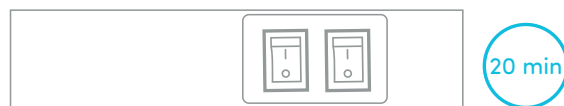


# Nettoyage

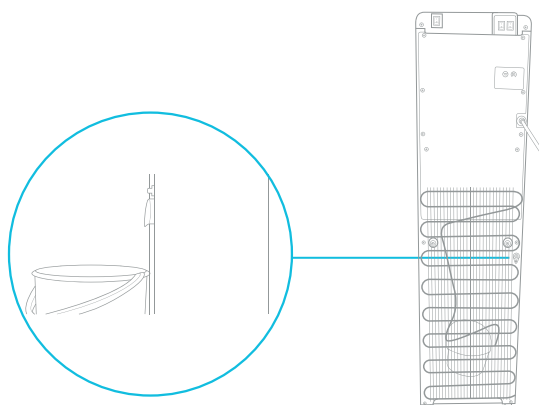
3. Connectez le câble d'alimentation et allumez (I) l'interrupteur de chauffage (#15). Laissez que l'eau se chauffe pendant 15 minutes.



4. Éteignez (O) l'interrupteur de chauffage (#15) et laissez que le mélange liquide se refroidisse pendant 20 minutes.



5. Drainez le liquide à travers la sortie de drainage (#17) et rincez deux ou trois fois en suivant les instructions de rinçage. Ne démontez que les pièces mentionnées pour éviter tout préjudice à l'appareil.



# Dépannage

## Dépannage

Si vous avez un problème avec votre fontaine d'eau froide, regardez les solutions suivantes. Vous pouvez aussi voir nos vidéos de résolutions de problèmes sur notre site d'internet. N'hésitez pas à nous contacter si vous avez des questions à nous poser.

 [support@avalonh2o.com](mailto:support@avalonh2o.com)

 [www.avalonh2o.com](http://www.avalonh2o.com)

## Troubleshooting

### Il y a une fuite d'eau dans le dispositif

S'il vous plaît, vérifiez que toutes les connexions sont bien fixes et qu'il n'y a pas de tubes ou connexions molles.

### L'eau ne coule pas à une température froide ou chaude

Ceci peut être dû à une consommation excessive d'eau pendant une courte période de temps, provoquant que les réservoirs soient vides. S'il vous plaît, laissez de 5 à 10 minutes pour que les réservoirs de la fontaine se remplissent à nouveau. Laissez aussi un temps raisonnable pour que l'eau se chauffe et se refroidisse.

Cela a pu être dû aussi à une interruption du réseau électrique. Vérifiez que le câble d'alimentation est bien branché. Vérifiez aussi que les interrupteurs de chauffage (#15) et réfrigération (#14) soient allumés (I).

### L'eau ne coule pas à travers le jet d'eau

- Vérifiez que la bouteille n'est pas vide. Si c'était le cas, changez-la avec une nouvelle bouteille
- Vérifiez que vous appuyez complètement les boutons et que la sécurité anti-enfants est tournée pendant que vous appuyez le bouton au même temps.

### L'eau n'est pas pompée après avoir changé la bouteille

Vérifiez que la porte du compartiment est bien fermée. La porte doit être fermée pour que le pompage d'eau se produise. Déconnectez la fontaine et vérifiez que toutes les connexions dans le compartiment de la bouteille. Il peut arriver qu'une connexion se desserre lorsque l'on bouge la bouteille. Même si ce n'est que très peu, une connexion molle peut provoquer que la fontaine ne fonctionne pas correctement.

### La lumière nocturne ne fonctionne pas

- Vérifiez que le câble d'alimentation est bien branché.
- Vérifiez que l'interrupteur de lumière nocturne (#13) est bien sur sa position allumé (I) dans la partie arrière de la fontaine.

### La Fontaine est très bruyante

- Vérifiez que la fontaine est bien placée sur une surface plate et droite.

# Sécurité

## Sécurité

Pour réduire les risques de blessures et dégâts matériels, l'utilisateur doit lire complètement ce guide avant d'installer et d'utiliser cette fontaine d'eau froide.

Une erreur au moment d'exécuter les instructions de ce manuel peut provoquer des dégâts matériels et des dommages corporels.

Ce produit donne de l'eau à de très hautes températures. Une utilisation incorrecte de ce dispositif peut provoquer des dommages corporels.

Lorsque vous utilisez cette fontaine d'eau froide, appliquez toujours des précautions basiques de sécurité, dont les suivantes:

- Avant d'être utilisé, cette fontaine doit être assemblée et installée correctement selon les instructions de ce manuel.
- Cette fontaine a été conçue pour donner uniquement de l'eau. **N'UTILISEZ PAS**
- d'autres liquides. **N'UTILISEZ PAS** cette fontaine pour d'autres finalités. N'utilisez pas d'autres liquides à part l'eau de robinet microbiologiquement sûre.
- Uniquement pour une utilisation à l'intérieur. Placez la fontaine dans un endroit sec et protégé de la lumière directe du soleil. Ne pas utiliser à l'extérieur.
- Installez-la et utilisez-la uniquement sur une surface dure et plate
- **NE PAS** installer la fontaine dans un espace fermé ou un placard.
- **NE PAS** utiliser la fontaine en présence de vapeurs explosives.
- Le côté arrière de la fontaine doit être séparé du mur d'au moins 20 cm et permettre ainsi la circulation de l'air entre le mur et la fontaine. Il doit y avoir au moins 20 cm d'espace sur les autres côtés de la fontaine pour permettre une circulation de l'air.
- Utilisez uniquement des prises de courant avec terre.
- Ne pas utiliser une rallonge pour votre fontaine.
- Saisissez toujours le connecteur et tirez de la prise. Ne déconnectez jamais en tirant du câble d'alimentation.
- Pour éviter des décharges électriques, **NE MOUILLEZ PAS** le câble, prise ou toute autre pièce de la fontaine avec de l'eau ou tout autre liquide

## Sécurité

- Vérifiez que la fontaine est déconnectée avant de la laver.
- Ne laissez pas les enfants se servir de l'eau chaude sans une correcte et directe surveillance. Déconnectez le dispositif pour éviter une utilisation par des enfants sans surveillance.
- La maintenance doit être uniquement réalisée par un technicien qualifié.
- Attention: N'endommagez pas le circuit de refroidissement.
- Ce dispositif peut être utilisé par des enfants de plus de 8 ans à condition qu'ils aient reçus une supervision ou des instructions par rapport à une utilisation sûre du dispositif et s'ils comprennent les risques dérivés. Le nettoyage et la maintenance de la part de l'utilisateur ne doivent pas être réalisés par des enfants sauf s'ils ont plus de 8 et s'ils sont sous surveillance. Tenez hors de la portée des enfants de moins de 8 ans le dispositif et son câble.
- Le dispositif peut être utilisé par des personnes avec des capacités physiques, mentales ou sensorielles réduites ou avec un manque d'expérience ou de connaissances à condition qu'il aient reçu une supervision ou des instructions par rapport à une utilisation sûre du dispositif et s'ils comprennent les risques dérivés. Les enfants ne doivent pas jouer avec de dispositif.
- Ce dispositif a été conçu pour une utilisation domestique ou similaire comme: des zones de cuisine dans des boutiques, bureaux et autres environnements de travail, d'hôtels et des applications non commerciales.
- Ne gardez pas des substances explosives comme des bombes aérosols ou des sprays inflammables dans ce dispositif.
- Si le câble d'alimentation est endommagé, il doit être remplacé par un câble spécial, disponible chez le fabricant ou son intermédiaire.
- Ne mettez jamais la machine à l'envers et ne l'inclinez pas à plus de 45°.
- Le thermostat a été réglé. Il n'y a aucune raison que vous le régliez vous-même. Quand la machine est en dessous du point de congélation et qu'elle est bloquée par de la glace, vous devrez éteindre l'interrupteur de réfrigération pendant 4 heures avant de le rallumer et de continuer à l'utiliser.
- Cette machine ne doit pas se reconnecter à nouveau avant 3 minutes après avoir été déconnectée.



# Garantie

# Garantie

Les modèles inclus sont:

A1TWATERCOOLER, A2TWATERCOOLER, A3BLOZONEWTRCLR, A3F, A3F-SC, A4BLWTRCLR, A4F, A1BOTTLELESS, A5BOTTLELESS, A5BLK, A6BLWTRCLR, A6BLWTRCLRBLK, A7BOTTLELESS, A7BOTTLELESSBLK, A8CTBOTTLELESSWHT, A8CTBOTTLELESSBLK, A9CTELECTRICSS, A9ELECTRICBLK, A9ELECTRICWHT, A10-TL, A11-CTTL, A12-CTPOU, A13, A14, A15, A1CTWTRCLRBLK, A1CTWTRCLRWHT, A3BLK, A4F, A5BLK, A6SC-WHT, A6SC-BLK, A10BLK, A11BLK, A12BLK, A13BLK, A14BLK, A13CT, A13-S, B8WHT, B8BLK, A9, A23, A23BLK, A24, A25, A25BLK

Les produits énumérés ci-dessus sont couverts par les termes de cette garantie limitée. Aux fins de cette garantie limitée, le terme «produit» désigne tout refroidisseur d'eau en bouteille ou sans bouteille fabriqué pour Avalon. Avalon garantit qu'elle remplacera ou réparera, au choix d'Avalon, le produit Avalon de l'acheteur vendu aux États-Unis ou au Canada par un détaillant autorisé si ce produit est défectueux en raison d'un défaut de fabrication ou de matériaux, sous réserve des limitations décrites dans cette garantie limitée. Avalon décline toute responsabilité quant à la qualité des marchandises, sauf indication contraire dans cette garantie. Il n'y a aucune garantie qui s'étend au-delà de la description au recto des présentes. Cette garantie limitée n'est valable que dans le cadre de l'achat initial de nouveaux produits auprès de détaillants autorisés et s'étend à partir de la date d'achat originale du produit original acheté. Cette garantie s'applique uniquement à l'acheteur original du produit et dure un (1) an à compter de la date de l'achat initial ou jusqu'à ce que l'acheteur original du produit vende ou transfère le produit, selon la première éventualité. Un «acheteur d'origine», aux fins de la présente garantie limitée, est une personne physique ou morale qui achète le produit directement auprès d'Avalon ou d'un détaillant autorisé d'Avalon avec l'intention d'utiliser le produit à des fins personnelles et commerciales ou avec l'intention de revendre le produit. Un «détaillant autorisé», aux fins de cette garantie limitée, est une personne ou une entité autorisée par Avalon à vendre le produit directement aux acheteurs originaux. Un individu ou une entité qui achète le produit de quelque source que ce soit dans l'intention de revendre le produit est un revendeur non autorisé («revendeur non autorisé»). Aux fins de cette garantie limitée, un «tiers» sera considéré comme un plombier, une entreprise d'entretien ou une personne embauchée par l'acheteur.

Cette garantie limitée ne s'applique pas aux produits utilisés, remis à neuf, renouvelés, de modèle de plancher ou de «démonstration», ni aux produits vendus par des revendeurs non autorisés, y compris, sans s'y limiter, les revendeurs non autorisés sur des sites Web tiers, y compris, sans s'y limiter, Craigslist, eBay, Amazon, etc. Les revendeurs non autorisés ne sont pas des «acheteurs originaux» aux fins de cette garantie limitée. Si l'acheteur n'est pas l'acheteur original de ce produit, l'acheteur prend le produit «EN L'ÉTAT», avec tous les défauts» et sans garantie. Avalon se réserve le droit d'exiger un numéro de série valide situé sur votre produit pour soumettre une réclamation valide dans le cadre de cette garantie limitée. Les produits dont le numéro de série a été supprimé ou des preuves montrant le retrait ou la tentative de retrait de l'étiquette du numéro de série ne seront pas éligibles pour faire une réclamation dans le cadre de cette garantie limitée. SI L'ACHAT DE CE PRODUIT N'ÉTAIT PAS DIRECTEMENT AUPRÈS D'AVOLON, UNE PREUVE D'ACHAT SERA REQUISE POUR DÉMONTRER QUE L'ACHETEUR EST L'ACHETEUR ORIGINAL ET QUE LE PRODUIT A ÉTÉ ACHETÉ AUPRÈS D'UN DÉTAILLANT AGRÉÉ, ET ADMISSIBLE À FAIRE UNE RÉCLAMATION VALIDE EN VERTU DE CETTE GARANTIE LIMITÉE.

Votre date d'achat est établie à partir de la date de votre ticket de caisse. Avalon peut exiger de l'acheteur qu'il fournisse une preuve de la qualité et de l'état du refroidisseur d'eau si l'acheteur fait une réclamation en vertu de cette garantie limitée. Avalon se réserve le droit d'annuler cette garantie limitée si le refroidisseur d'eau est jugé, à la discrétion raisonnable d'Avalon, comme étant inadéquat ou si le refroidisseur d'eau se révèle être dans un état insalubre. Cette garantie ne s'applique pas si le produit a été endommagé ou échoué en raison d'un accident, d'une mauvaise manipulation ou d'une mauvaise utilisation, d'un abus, d'une mauvaise utilisation, de réparations non autorisées effectuées ou tentées, ou d'une installation ou d'un entretien incorrect. Dans le cadre de cette garantie limitée, les produits doivent être branchés directement dans une prise murale mise à la terre. Brancher un produit sur une rallonge ou un parasurtenseur sera considéré comme une mauvaise utilisation et annulera cette garantie limitée. Si des dommages au produit sont survenus pendant le transport, les dommages doivent être signalés à Avalon dans les 30 premiers jours à compter de la date d'achat d'origine pour être admissible à faire une réclamation dans le cadre de la garantie limitée. Les dommages d'expédition signalés à Avalon en dehors des 30 premiers jours à compter de la date d'achat d'origine ne seront pas éligibles pour une réclamation valide en vertu de cette garantie limitée. Cette garantie ne couvre pas les frais d'expédition pour le retour des produits à Avalon pour réparation ou remplacement.

Pour soumettre une réclamation valide dans le cadre de cette garantie limitée, le dépannage du produit avec un expert en réussite client Avalon est nécessaire. Si le dépannage du produit est refusé par l'acheteur, Avalon se réserve le droit de refuser la réclamation de garantie limitée. Dans le cas où une pièce est nécessaire pour corriger le problème avec un produit, Avalon fournira la pièce sans frais à l'acheteur d'origine dans le cadre de cette garantie limitée. Le remplacement des pièces ou la tentative de corriger un problème avec le produit est nécessaire avant de soumettre une réclamation pour un produit de remplacement dans le cadre de cette garantie limitée. Les instructions de dépannage d'un produit ou de remplacement d'une pièce seront fournies par Avalon. Le dépannage, les réparations, le remplacement des pièces, l'installation et l'entretien approprié sont la responsabilité de l'acheteur. Les instructions pour une installation et une maintenance appropriées seront fournies dans le manuel d'utilisation.

L'installation, l'entretien ou les réparations du produit sont de la responsabilité de l'acheteur. L'acheteur se réserve le droit de faire appel à un Tiers pour l'installation, la maintenance et la réparation à ses propres risques. Avalon n'est pas responsable des frais supplémentaires encourus pour l'installation, l'entretien ou la réparation du produit, y compris, mais sans s'y limiter, le matériel supplémentaire nécessaire à l'installation ou le coût d'un tiers. Les dommages ou pannes du produit dus à une installation, un entretien ou une réparation inappropriés causés par un tiers ou par l'acheteur ne sont pas de la responsabilité d'Avalon et ne seront pas couverts par cette garantie limitée. Les instructions pour une installation et une maintenance appropriées seront fournies dans le manuel d'utilisation.

TOUTE GARANTIE, EXPRESSE OU IMPLICITE (Y COMPRIS, SANS LIMITATION, TOUTE GARANTIE IMPLICITE DE QUALITÉ MARCHANDE), DERNIÈRE UN AN À PARTIR DE LA DATE D'ACHAT ORIGINAL OU JUSQU'À CE QUE L'ACHETEUR ORIGINAL DU PRODUIT VEND OU TRANSFÈRE LE PRODUIT, SELON LA PREMIÈRE FOIS. EN AUCUN CAS, LA RESPONSABILITÉ D'AVOLON AU TITRE DE TOUTE GARANTIE EXPRESSE OU IMPLICITE NE COMPREND (I) LES DOMMAGES ACCESSOIRES OU INDIRECTS PROVENANT DE QUELQUE CAUSE QUE CE SOIT, Y COMPRIS, MAIS SANS S'Y LIMITER, LES DOMMAGES ÉLECTRIQUES OU D'EAU, OU (II) LE REMPLACEMENT OU LA RÉPARATION DE TOUT CIRCUIT DE FUSIBLE À LA MAISON RECEPTACLES. NONOBTANT TOUT AU CONTRAIRE, EN AUCUN CAS, LA RESPONSABILITÉ D'AVOLON AU TITRE DE TOUTE GARANTIE EXPRESSE OU IMPLICITE NE PEUT DÉPASSER LE PRIX D'ACHAT DU PRODUIT ET TOUTE RESPONSABILITÉ NE SERA TERMINÉE À L'EXPIRATION DE LA PÉRIODE DE GARANTIE.

Sauf indication contraire, Avalon ne facturera pas à l'acheteur d'origine la réparation ou le remplacement du produit de l'acheteur s'il est jugé défectueux pendant la durée de cette garantie limitée, mais tous les frais de transport associés aux réparations ou aux remplacements sont à la charge de l'acheteur. Aucune nouvelle garantie n'est fournie avec un produit de remplacement. La garantie du produit de remplacement court à compter de la date d'achat d'origine du produit d'origine. Dans le cas où une réparation est nécessaire, une telle réparation sera gratuite pour l'acheteur, à l'exception des frais de transport associés à cette réparation ou au remplacement d'un produit conformément aux termes de cette garantie limitée.

Dans le cas où une réclamation ou titre de la garantie est déposée et qu'un remplacement sous garantie est jugé nécessaire, l'acheteur sera tenu de remettre le produit d'origine à Avalon au moment du remplacement.

Certains états et provinces n'autorisent pas les limitations sur la durée d'une garantie implicite ou l'exclusion ou la limitation des dommages accessoires ou consécutifs, de sorte que ces exclusions ou limitations peuvent ne pas s'appliquer à vous. Cette garantie vous confère des droits légaux spécifiques. Vous pouvez également avoir d'autres droits qui varient d'un état à l'autre et d'une province à l'autre.





