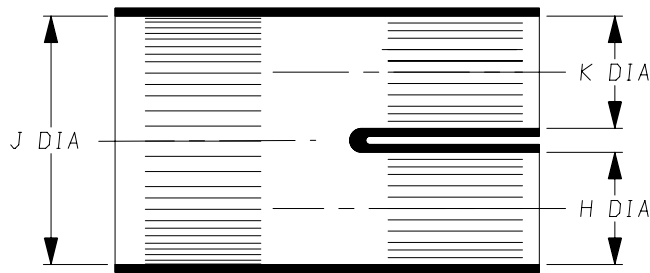
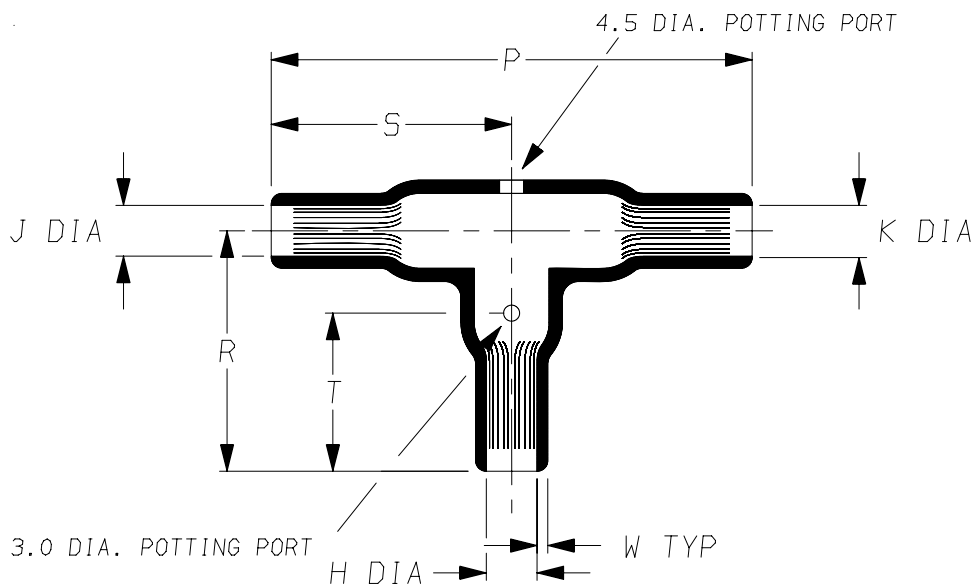


a) Part as supplied.

301A028



b) Part after unrestricted recovery.



DIMENSIONS in millimetres
(in inches, for reference)

Part No.	H		J		K		P	R	S	T	W
	Min	Max	Min	Max	Min	Max	±10%	±10%	±10%	±10%	±20%
	a	b	a	b	a	b	b	b	b	b	b
301A028	20 (0.79)	10.2 (0.40)	20 (0.79)	10.2 (0.40)	20 (0.79)	10.2 (0.40)	90 (3.54)	45 (1.77)	45 (1.77)	30 (1.18)	2.0 (0.08)

Copyright (!)

The copyright in this drawing is the property of Tyco Electronics UK Ltd. The drawing is issued on the condition that it is not copied, reproduced or disclosed to a third party, either in whole or in part without the prior written consent of Tyco Electronics UK Ltd.

Drawn R. JONES. Checked Issue 2 Date December 2008 Conforms to ISO Recommendations
Approval Design MKTG. Tech. Not to Scale

