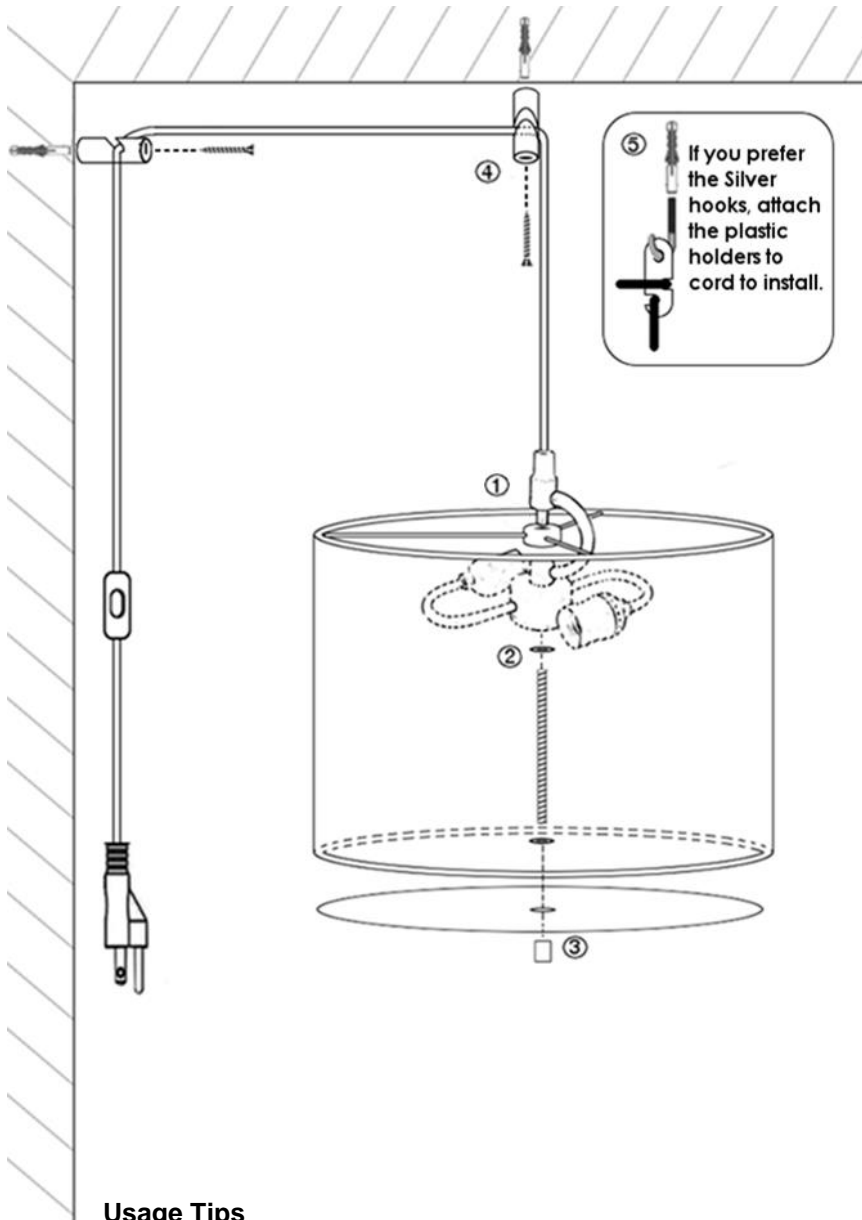


Premium Plug-In 2 Light Swag Pendant



Congratulations on your new Home Concept Swag Pendant light!
Our classic white pendant is designed to give you light exactly where you need it (without having to hire an electrician.)



How to Assemble your Swag

1. Unwrap the entire 17' cord so it hangs freely.
2. Unscrew the Spider fitter cap. Attach your spider-fitter lampshade and hand tighten. *Fig. (1)*
3. To add the diffuser, screw in the proper length threaded rod into the threaded hole in the bottom of the light. Be sure to add one lock nut tight to the fixture and one lock nut tight to the diffuser to stabilize the diffuser. *Fig. (2)*
4. Adjust the threaded rod so the bottom of the rod extends to the bottom of your shade, but no further.
DO NOT TURN THREADED ROD MORE THAN 6-7 ROTATIONS or you may hit the wires!!
5. Slide on the diffuser. Adjust the diffuser lock nut and add the decorative cap. *Fig. (3)*
6. Install the cylinder "Bishop" hooks on the ceiling and wall. *Fig. (4)* You will want to drill 2 small pilot holes. If you are unable to screw into a stud, use the enclosed anchors.
8. If you instead want to use the silver hooks, install them on the ceiling and wall, then attach the plastic holders to your cord and hang on hook. *Fig.(5)*
9. Screw in your light bulbs, plug in to your wall outlet, and flip the rocker switch.
10. Pat yourself on the back for a great instant home makeover!

Usage Tips

- Pendants are commonly positioned at 31" above the table or counter that they are lighting. Try that height first and adjust as needed.
- For more energy-efficient lighting, we recommend a CFL or LED bulb.
- **Never exceed a 150w bulb. WARNING: Incandescent bulbs get HOT so be sure you have 2" clearance for every 50watts.** (so if you use a 100w incandescent bulb, leave 4" clearance from any part of your lampshade.) CFL and LED bulbs generate much less heat per watt and are a much safer choice if you want to use a narrow lampshade.
- Too bright? You can add a dimmer switch (see LampsUSA.com and search for "dimmer") Dimmers don't work well with CFL or some LED light bulbs.
- To convert from plug-in to direct wire, try a Home Concept canopy kit.
- Works great with THE MAST Swag Wall Arm for installation on your wall instead of ceiling.
- For more great lighting solutions, visit LampsUSA.com or HomeConcept.com
- Questions? Email sales@HomeConcept.com