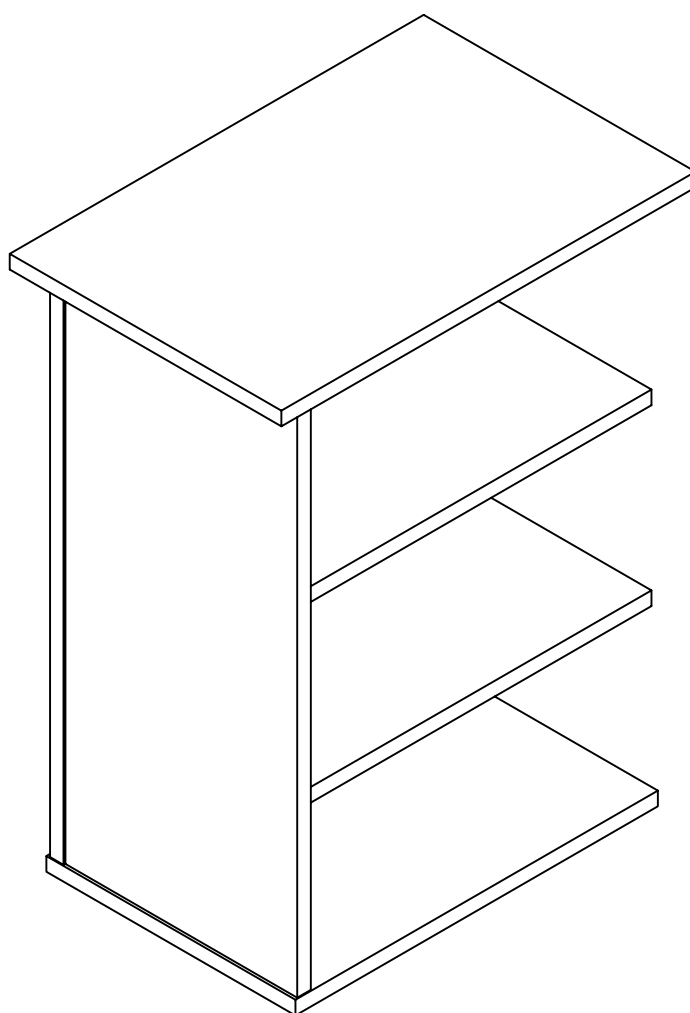


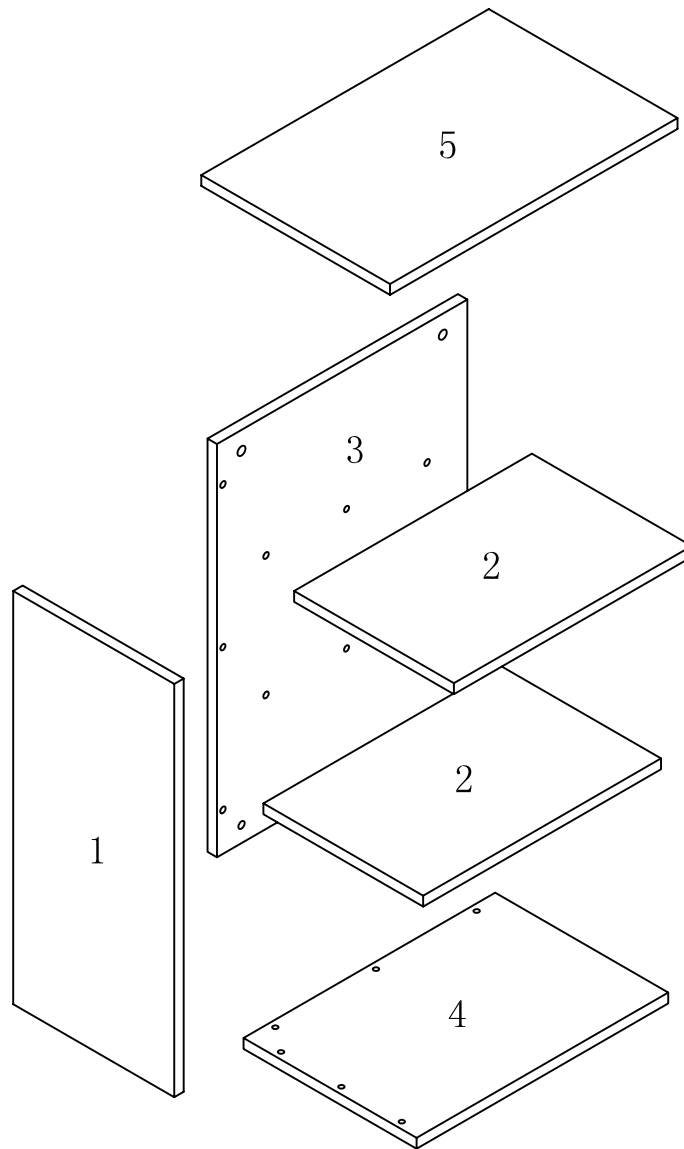
ASSEMBLY INSTRUCTION

ITEM#: 11451



PARTS IDENTIFICATION

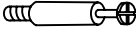


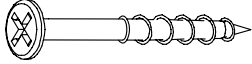
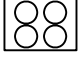
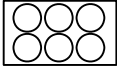

ITEM#: 11451



- | | |
|-----|------|
| (1) | 1pc |
| (2) | 2pcs |
| (3) | 1pc |
| (4) | 1pc |
| (5) | 1pc |

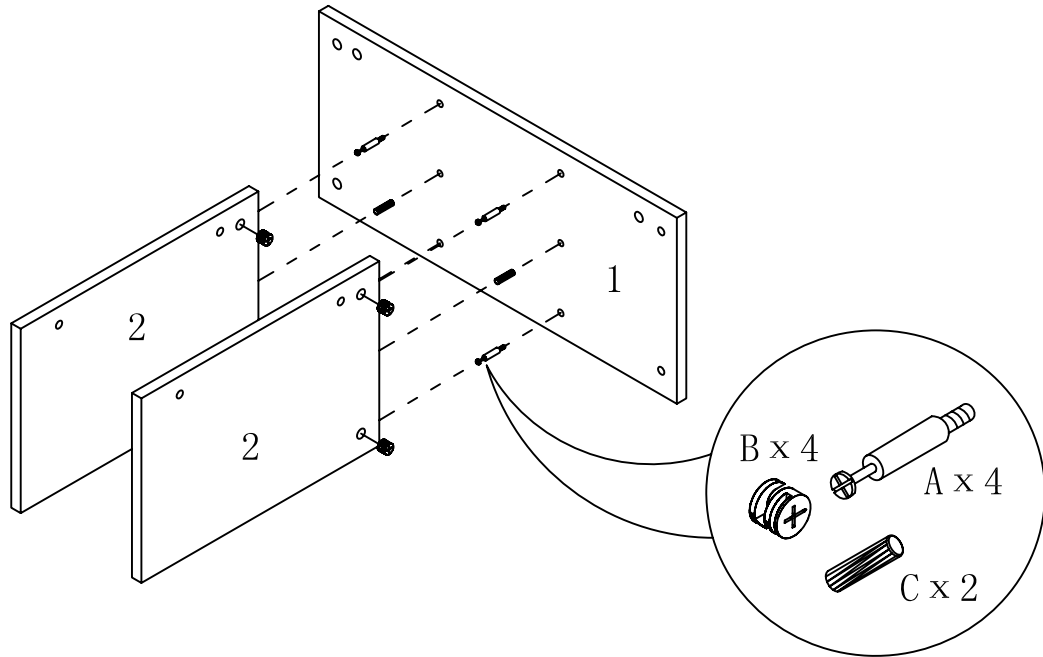
HARDWARE IDENTIFICATION

ITEM#: 11451

A		L29	10pcs
B		ϕ 15	10pcs
C		ϕ 8 x 25	10pcs
D		ϕ 4.2 x 50	8pcs
E		ϕ 13	4pcs
F		ϕ 18	6pcs
G		Glue: For securing please apply to wood dowel first before inserting into panel	1pc

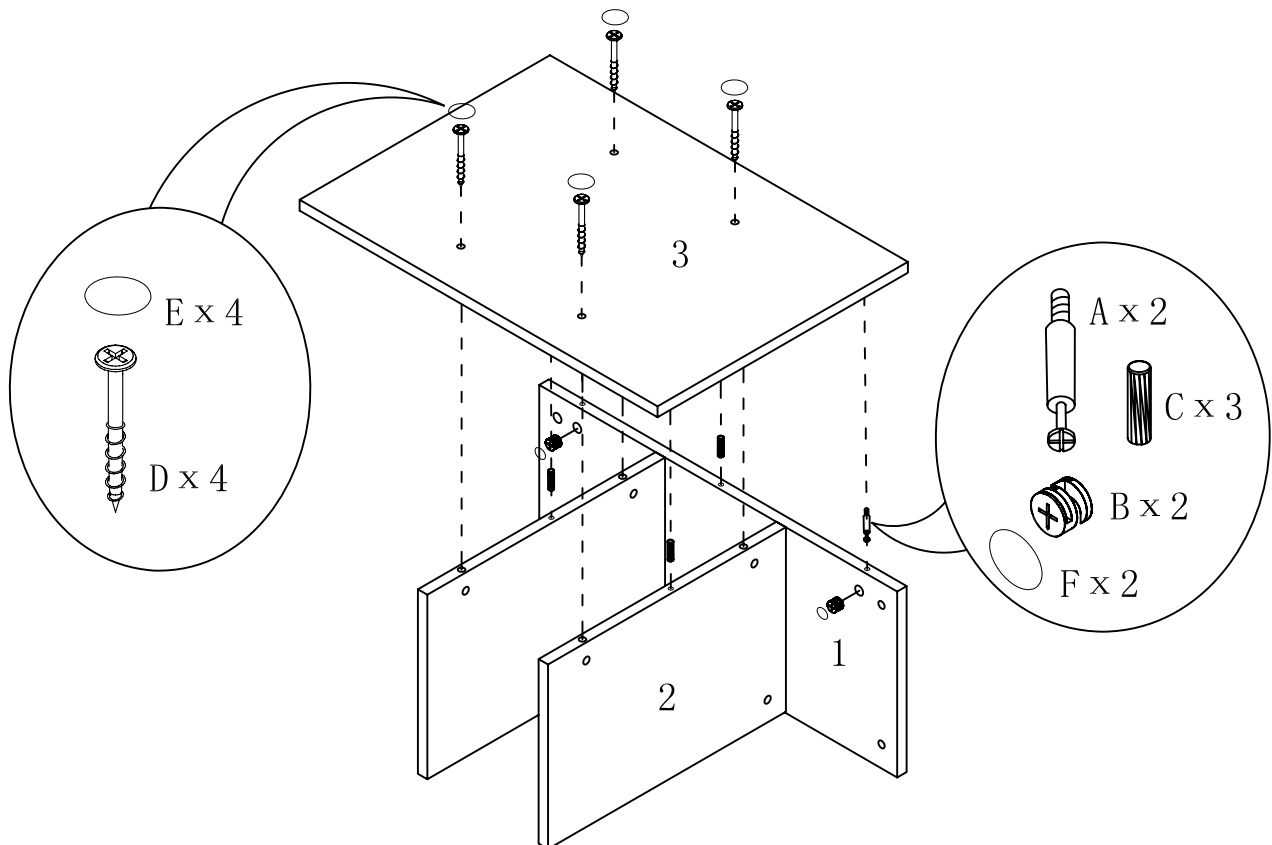
ASSEMBLY INSTRUCTION

ITEM#: 11451



STEP 1

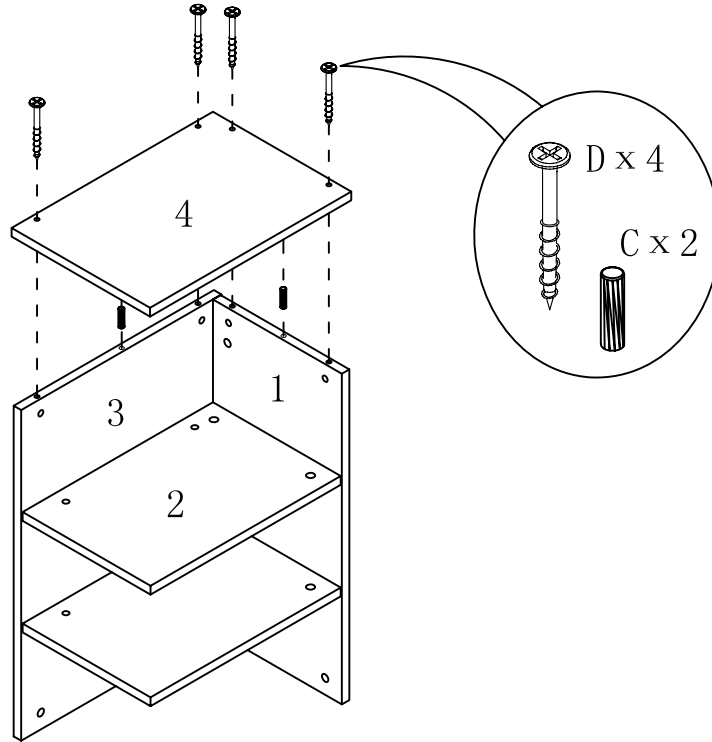
STEP 2



PAGE: 4 OF 5

ASSEMBLY INSTRUCTION

ITEM#: 11451



STEP3

STEP4

