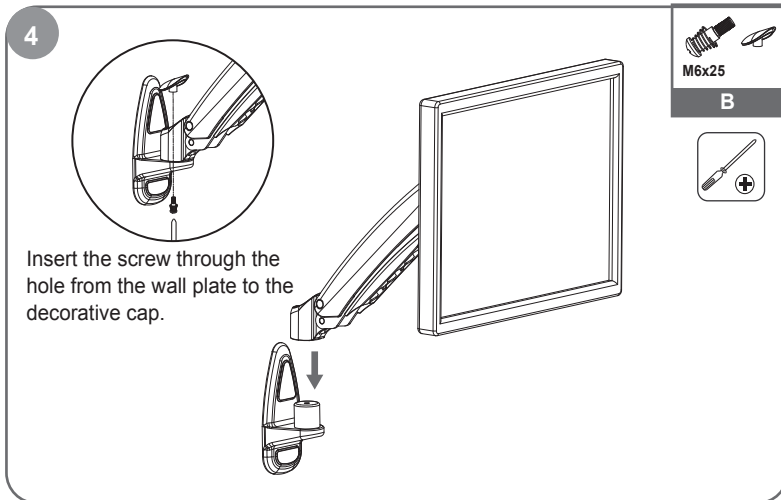


Recessed surface installation: Put 4 spacers between faceplate and monitor. Install 4 screws through faceplate, spacers to monitor via mounting holes.



Lift the spring arm along with the monitor and put it on the wall plate.

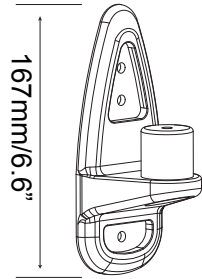


## Wall Mount Installation **INSTRUCTIONS**

## TOOLS REQUIRED NOT INCLUDED








## PRODUCT LINE GRAPH



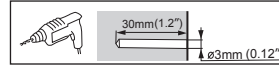
## PARTS INCLUDED

### Warning:

Wall mount can only be installed directly into wood studs or into cement walls. Do not install into dry wall alone. It will not hold and you risk damage to your monitor and yourself.

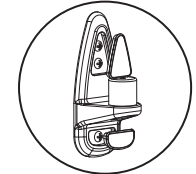
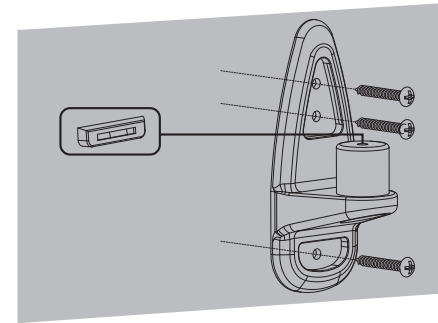
|   |   |
|---|---|
| A | <br>M6x60 (x3)   |
|   |  (x1)  (x1)       |
| B |  M6x25 (x1)  (x1) |

## 1 Wood Stud Installation



M6x60

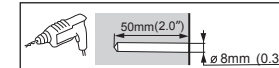
A



Insert the two plastic covers on wall plate for decorative appearance.

Find a wood stud in your wall and use a pencil to mark the place for mounting. Make sure the wall structure can support the weight of monitor along with the mount. Avoid dead center for mounting holes.

## 2 Cement Wall Installation

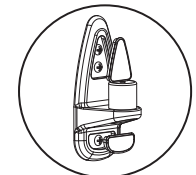
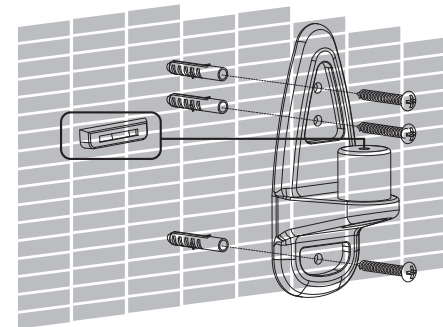


M6x60



Φ8x40

A



Insert the two plastic covers on wall plate for decorative appearance.

Use Cement anchors for cement walls only, Not dry wall ! Pencil mark your 3 holes on concrete wall. Drill holes and insert plastic anchors. Replace mount and Screw in tightly. Test by Pulling down.