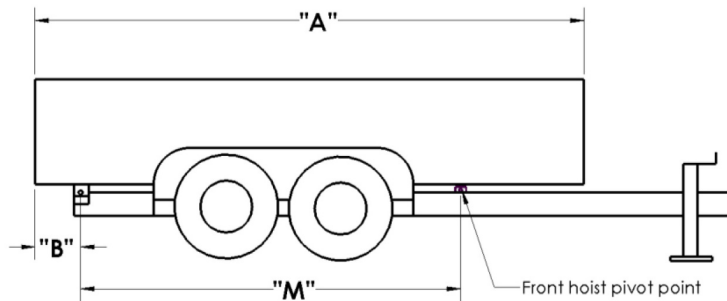


Power Hoist Capacity Chart

IMPORTANT: Because of variations in application, the data contained in these tables is provided as a general guide only.

Capacities are based on the following:

1. Water level non-diminishing load.
2. The vertical height between the rear hinge pivot and the floor is no less than 3 inches.
3. The hydraulic relief pressure is set at 3,200 psi.



PH620 Hoist Capacity (Tons)						
"A" Body (Feet)	"B" Overhang (Inches)	Dump Angle (Degrees) "M" Dimension (Inches)				
		30° 130.0"	35° 113.25"	40° 100.0"	45° 90.25"	50° 81.75"
14	12	15.8	13.7	12.1	11.0	10.0
14	18	17.2	15.0	13.2	12.0	10.9
14	24	19.0	16.5	14.5	13.3	12.0
16	12	13.5	11.7	10.3	9.5	8.6
16	18	14.5	12.6	11.1	10.2	9.2
16	24	15.8	13.7	12.1	11.0	10.0
18	12	11.8	10.2	9.0	8.1	7.3
18	18	12.5	11.0	9.6	8.8	8.0
18	24	13.5	10.2	10.3	9.5	8.6

PH620 HOIST DIMENSIONS

Hoist (with cylinder): 512 lbs.

