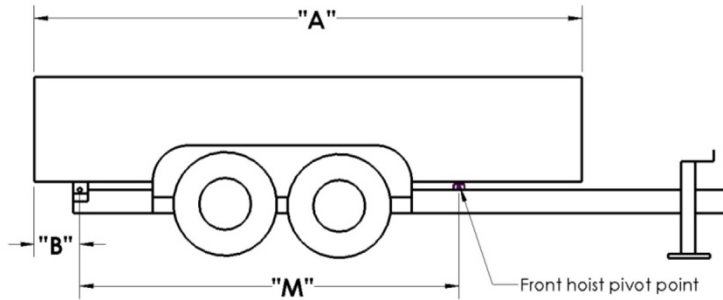


Power Hoist Capacity Chart

IMPORTANT: Because of variations in application, the data contained in these tables is provided as a general guide only.

Capacities are based on the following:

1. Water level non-diminishing load.
2. The vertical height between the rear hinge pivot and the floor is no less than 3 inches.
3. The hydraulic relief pressure is set at 3,200 psi.



PH416 Hoist Capacity (Tons)						
“A” Body (Feet)	“B” Overhang (Inches)	Dump Angle (Degrees) “M” Dimension (Inches)				
		30° 116.0”	35° 101.0”	40° 87.0”	45° 79.0”	50° 71.5”
10	12	12.5	10.9	9.3	8.7	7.8
10	18	14.3	12.4	10.7	9.9	9.0
10	24	16.7	14.6	12.5	11.4	10.3
12	12	10.0	8.6	7.4	6.9	6.3
12	18	11.1	9.6	8.3	7.7	7.0
12	24	12.5	10.9	9.3	8.7	7.8
14	12	8.2	7.2	6.1	5.6	5.0
14	18	9.0	7.9	6.7	6.1	5.5
14	24	10.0	8.6	7.4	6.7	6.1

PH416 HOIST DIMENSIONS

Hoist (with cylinder): 235 lbs.

