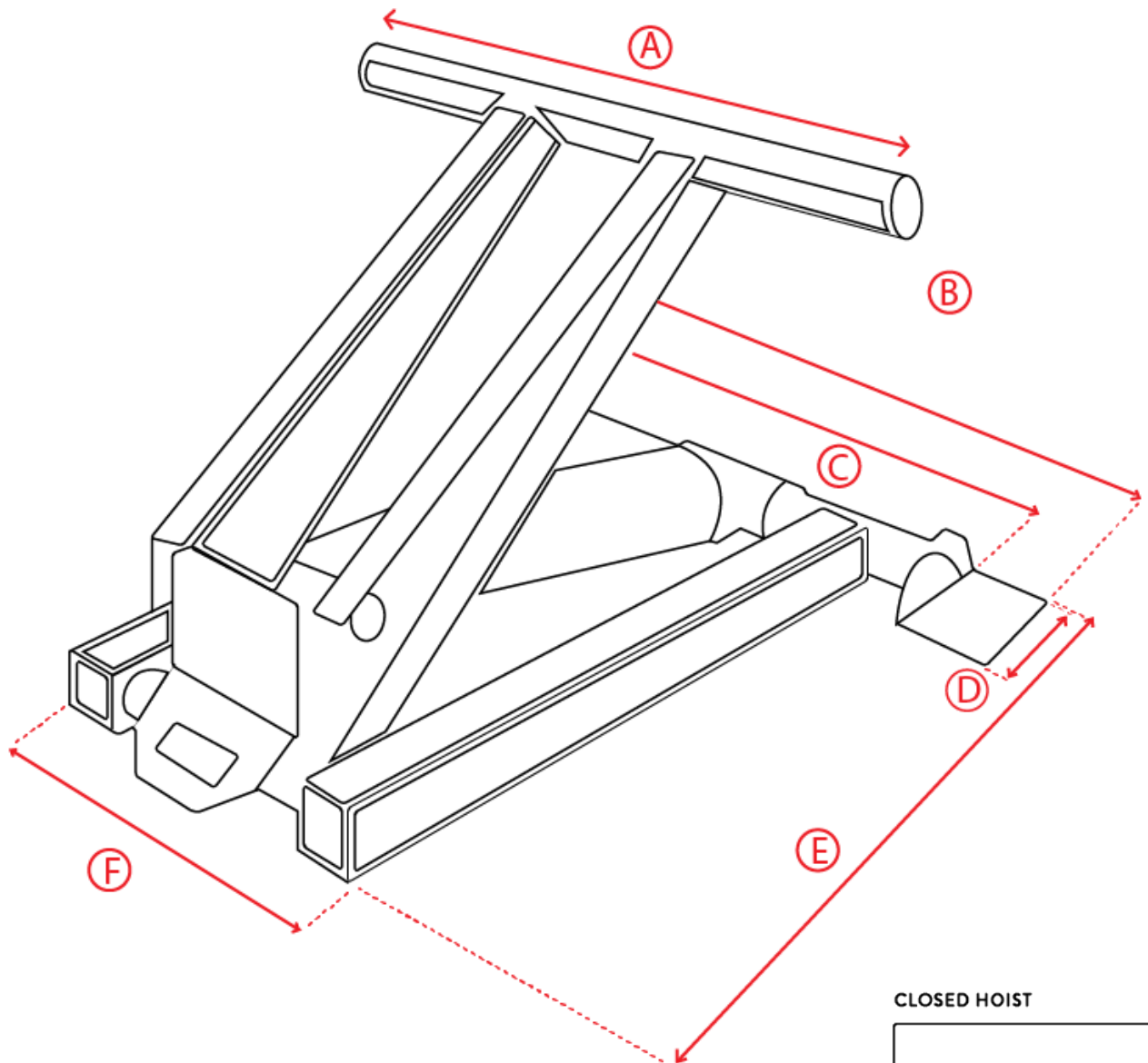


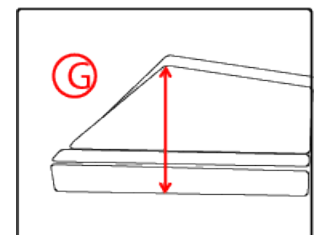
310
Model

Prime Force

A	24.00
B	26.63
C	19.63
D	4.00
E	28.50
F	14.25
G	5.00



CLOSED HOIST

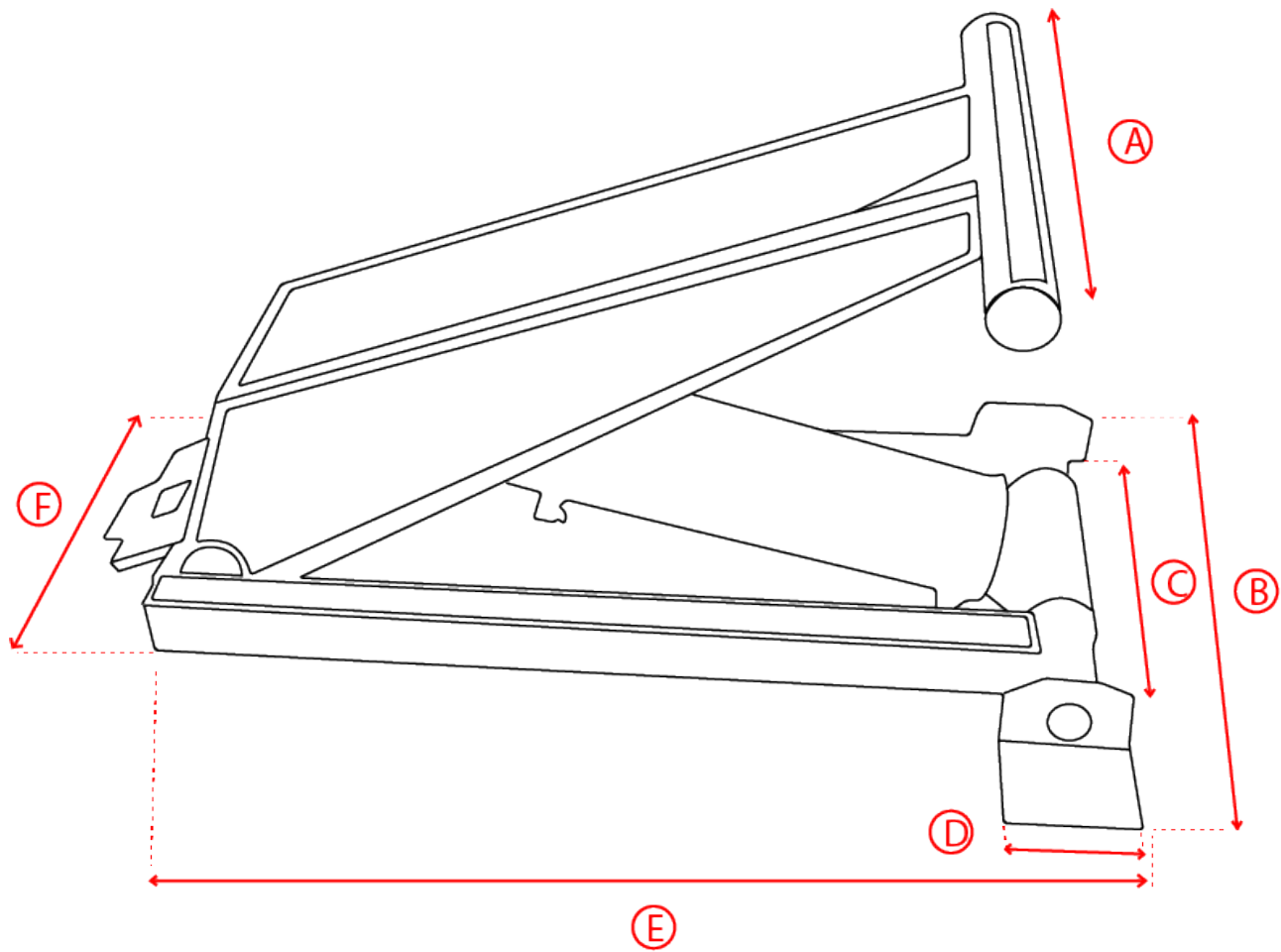


3-11-2021

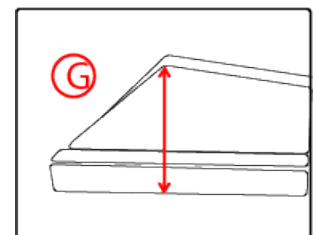
416
Model

Prime Force

A	24.00
B	29.00
C	19.50
D	5.00
E	39.50
F	15.25
G	9.00



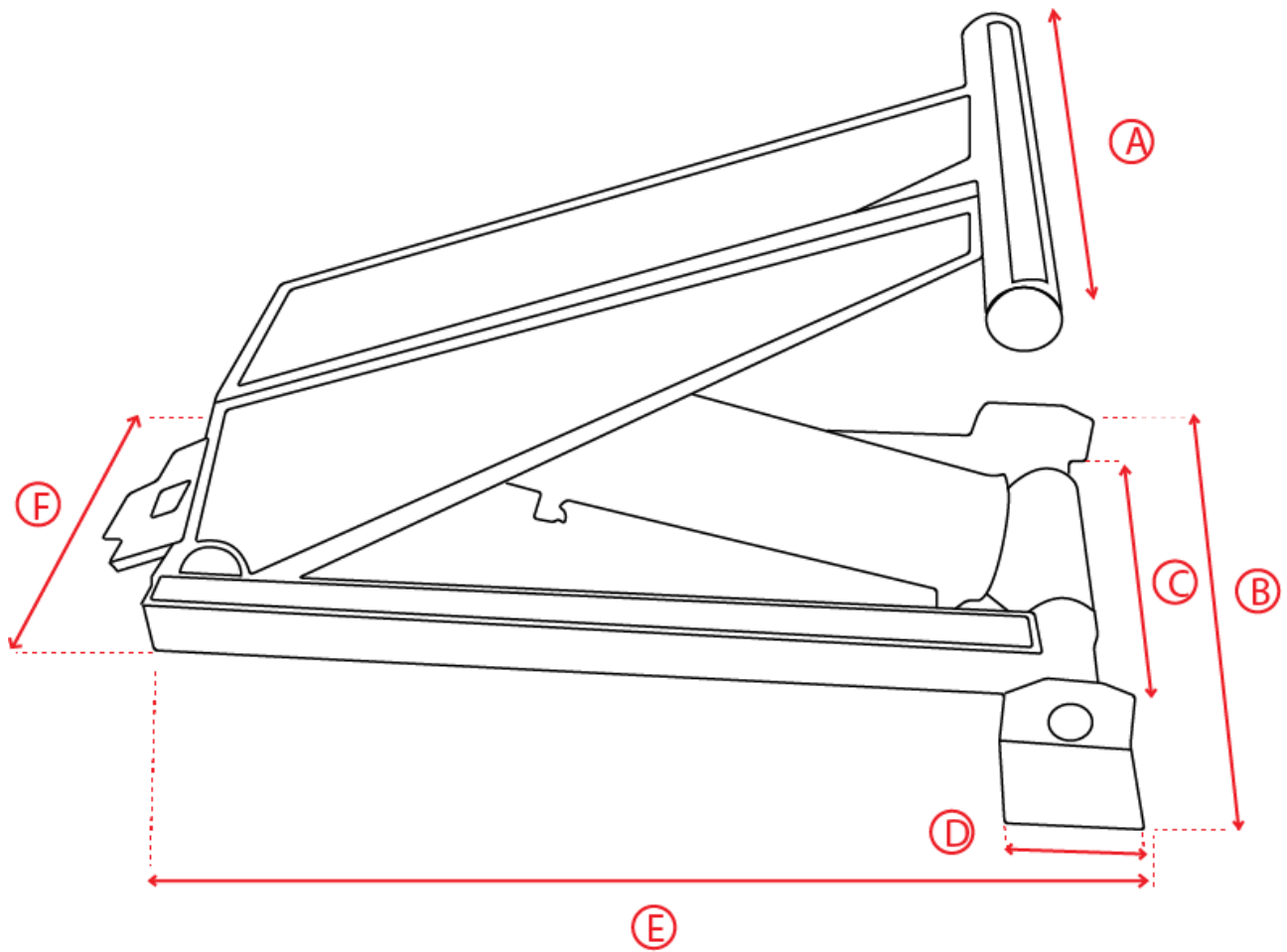
CLOSED HOIST



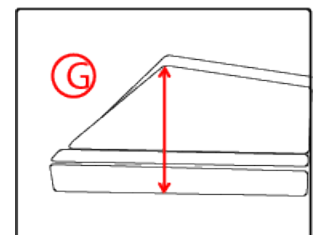
516
Model

Prime Force

A	24.00
B	28.50
C	19.50
D	5.00
E	39.25
F	16.25
G	10.00



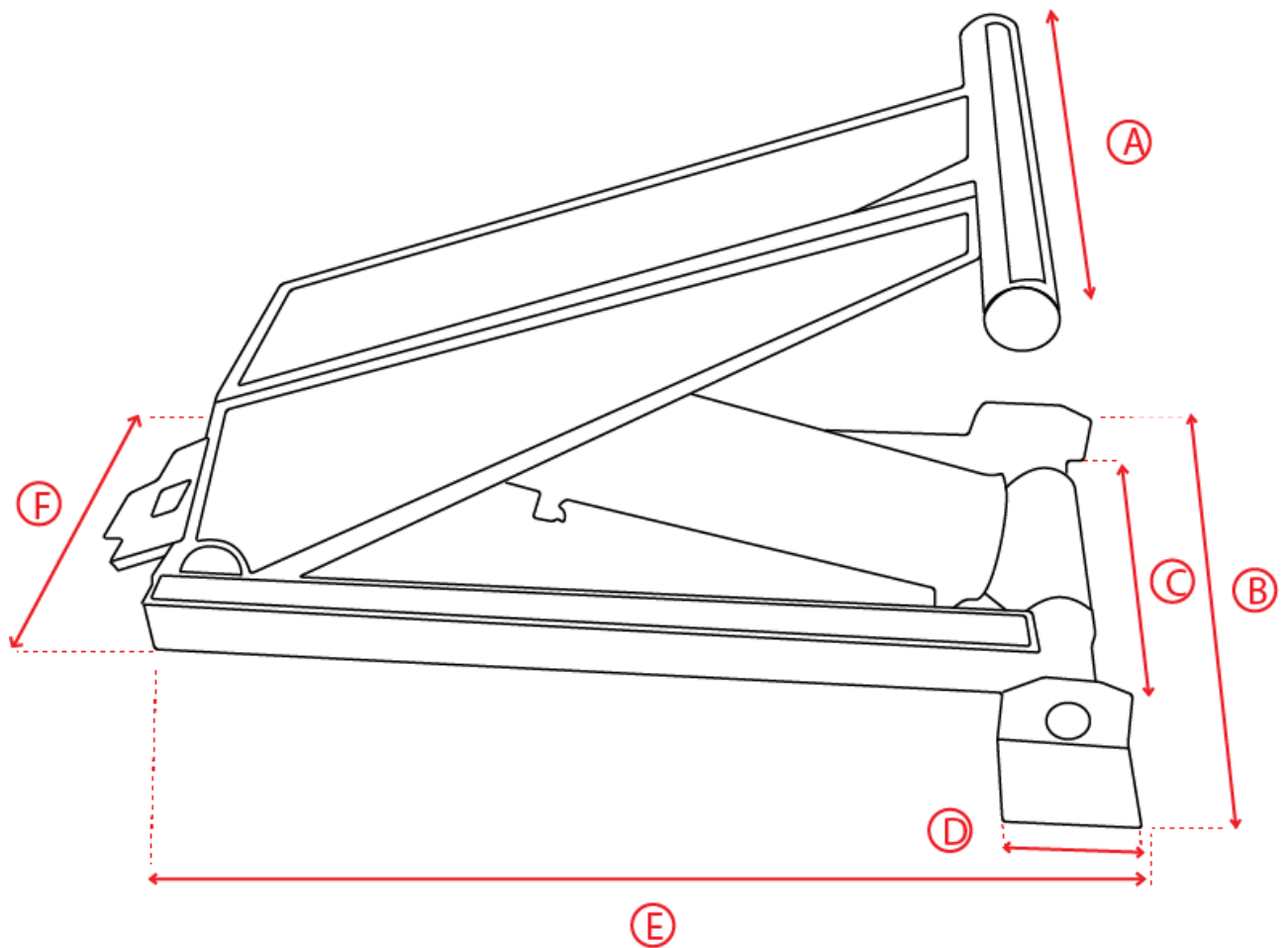
CLOSED HOIST



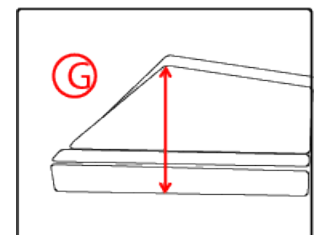
520
Model

Prime Force

A	24.00
B	28.25
C	19.25
D	5.00
E	47.63
F	16.25
G	11.75



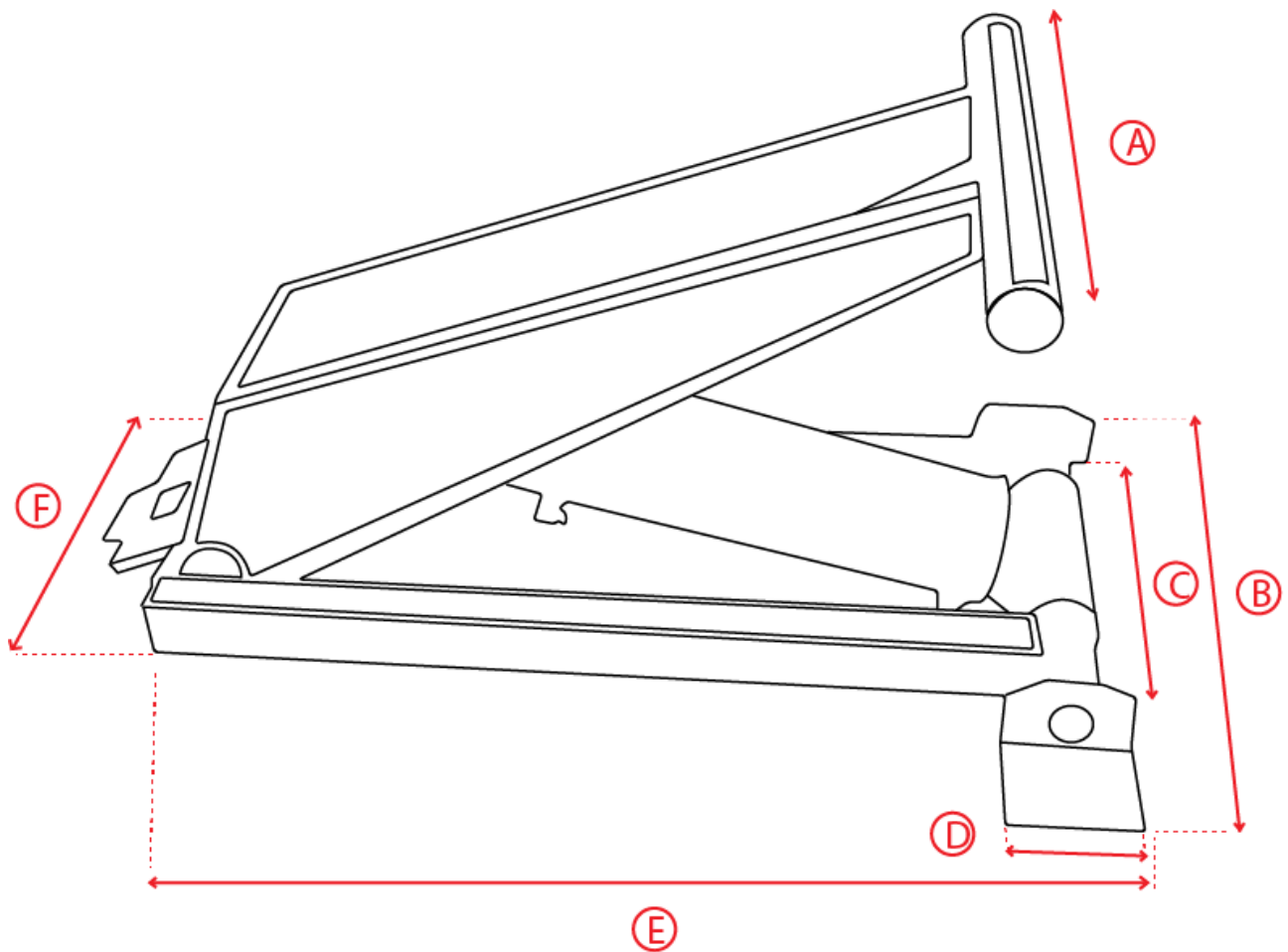
CLOSED HOIST



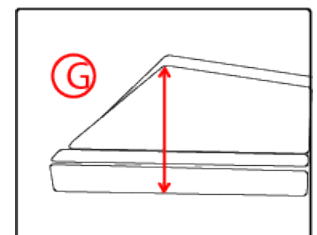
616
Model

Prime Force

A	24.00
B	28.63
C	19.00
D	5.00
E	39
F	18
G	12.00



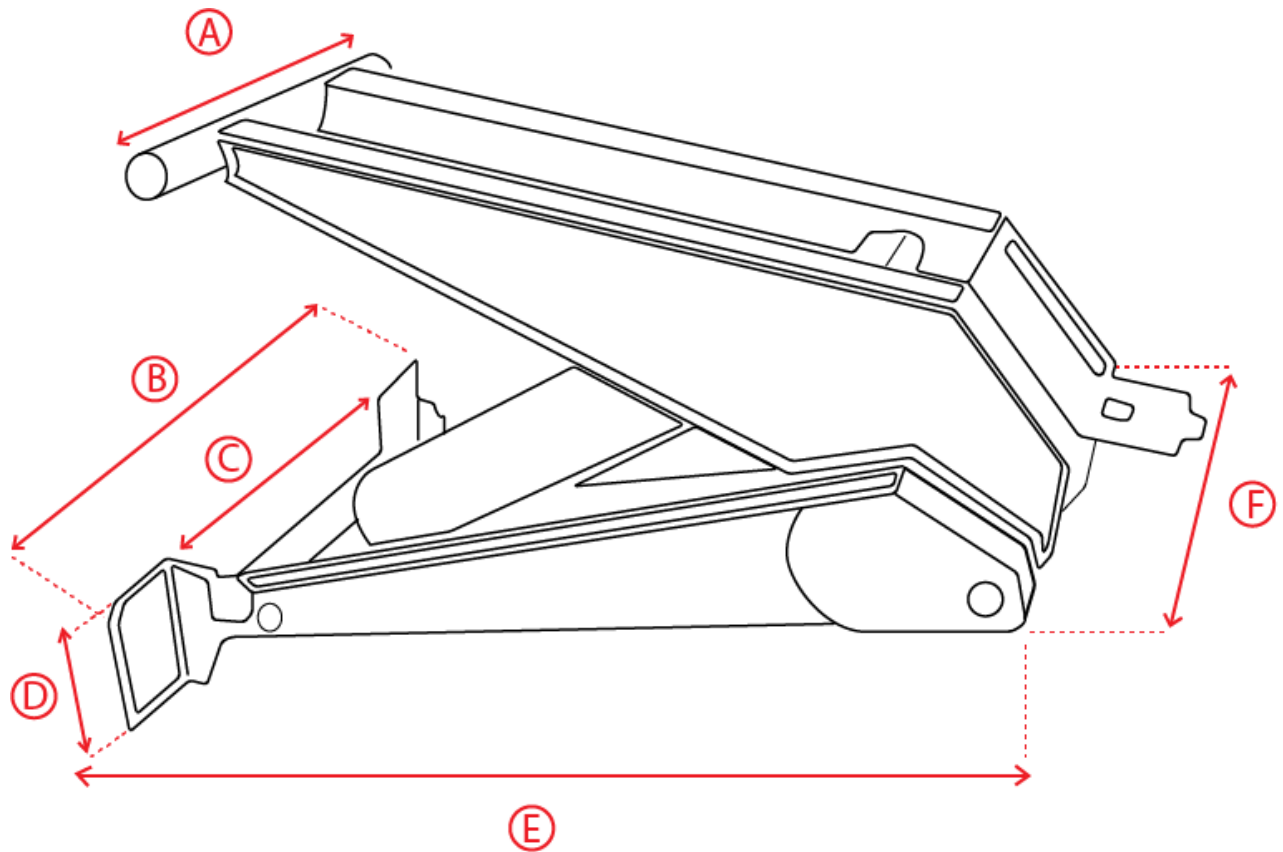
CLOSED HOIST



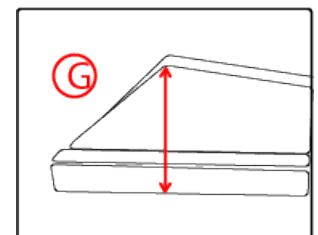
620
Model

Prime Force

A	24.00
B	37.50
C	25.00
D	9.75
E	50.25
F	22.00
G	11.50



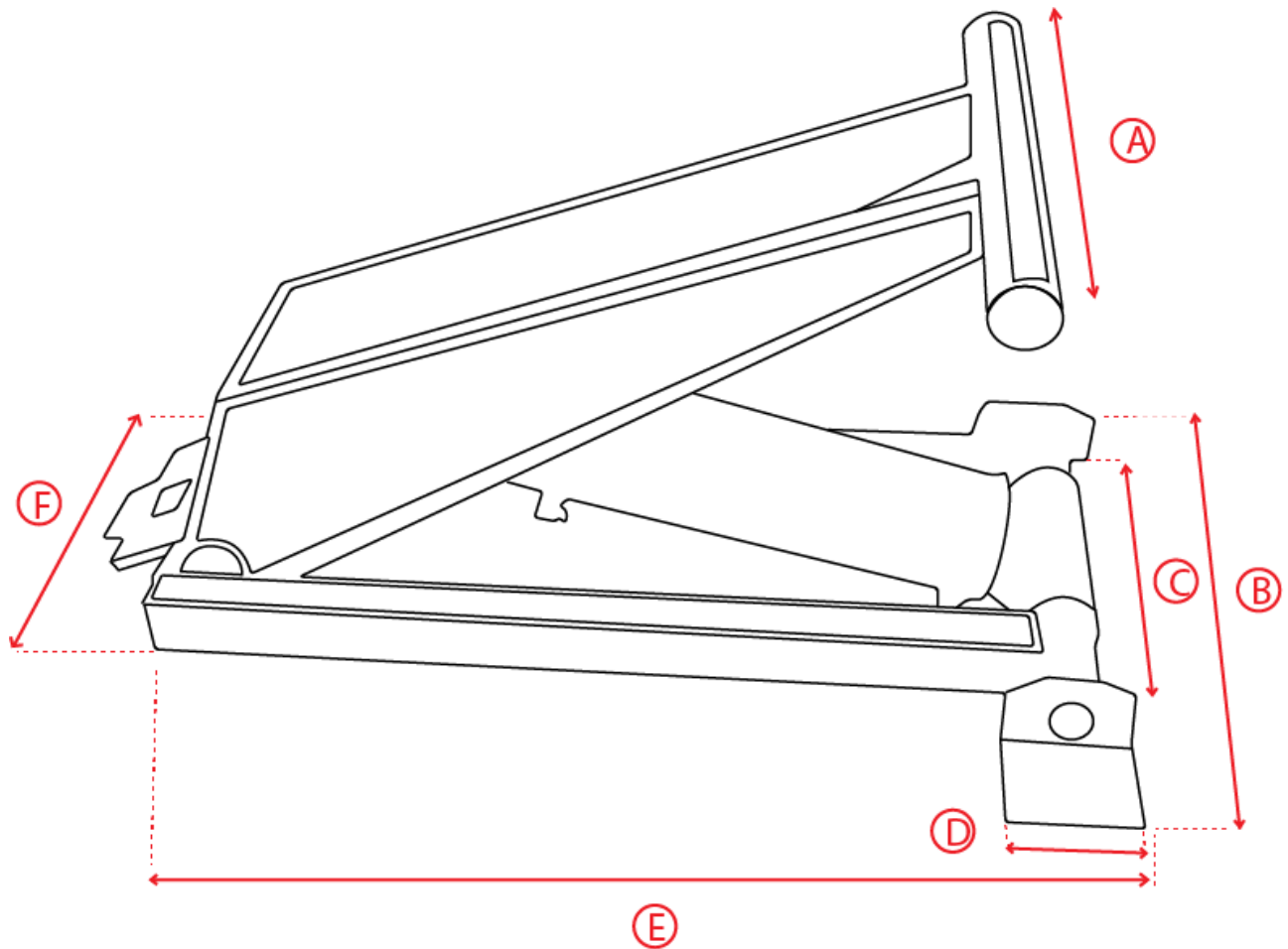
CLOSED HOIST



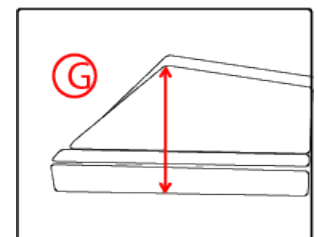
621
Model

Prime Force

A	24.00
B	28.63
C	19
D	5.00
E	47.00
F	18.00
G	14.50



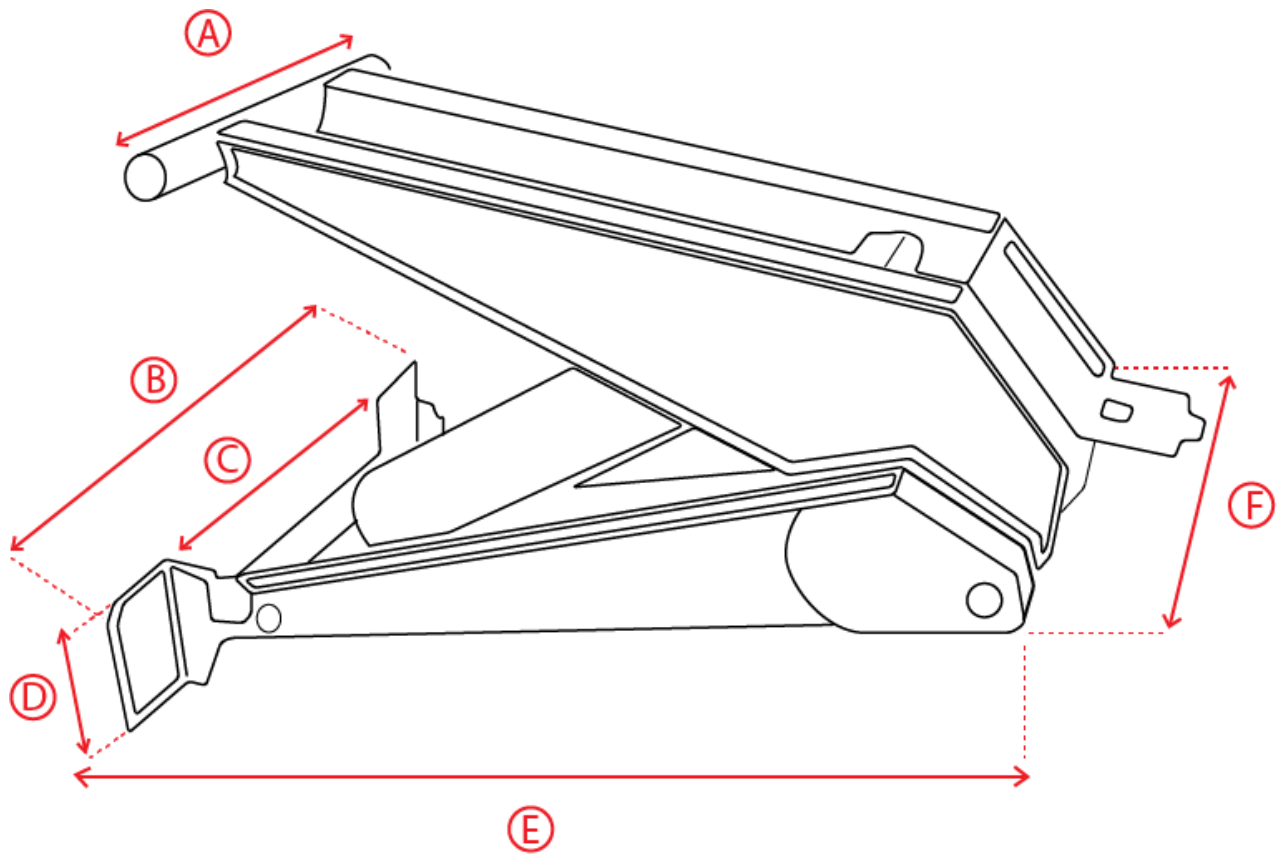
CLOSED HOIST



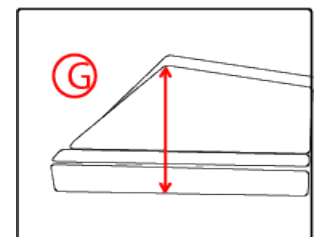
625
Model

Prime Force

A	24.00
B	37.50
C	25.00
D	9.75
E	57.13
F	23.00
G	14.00



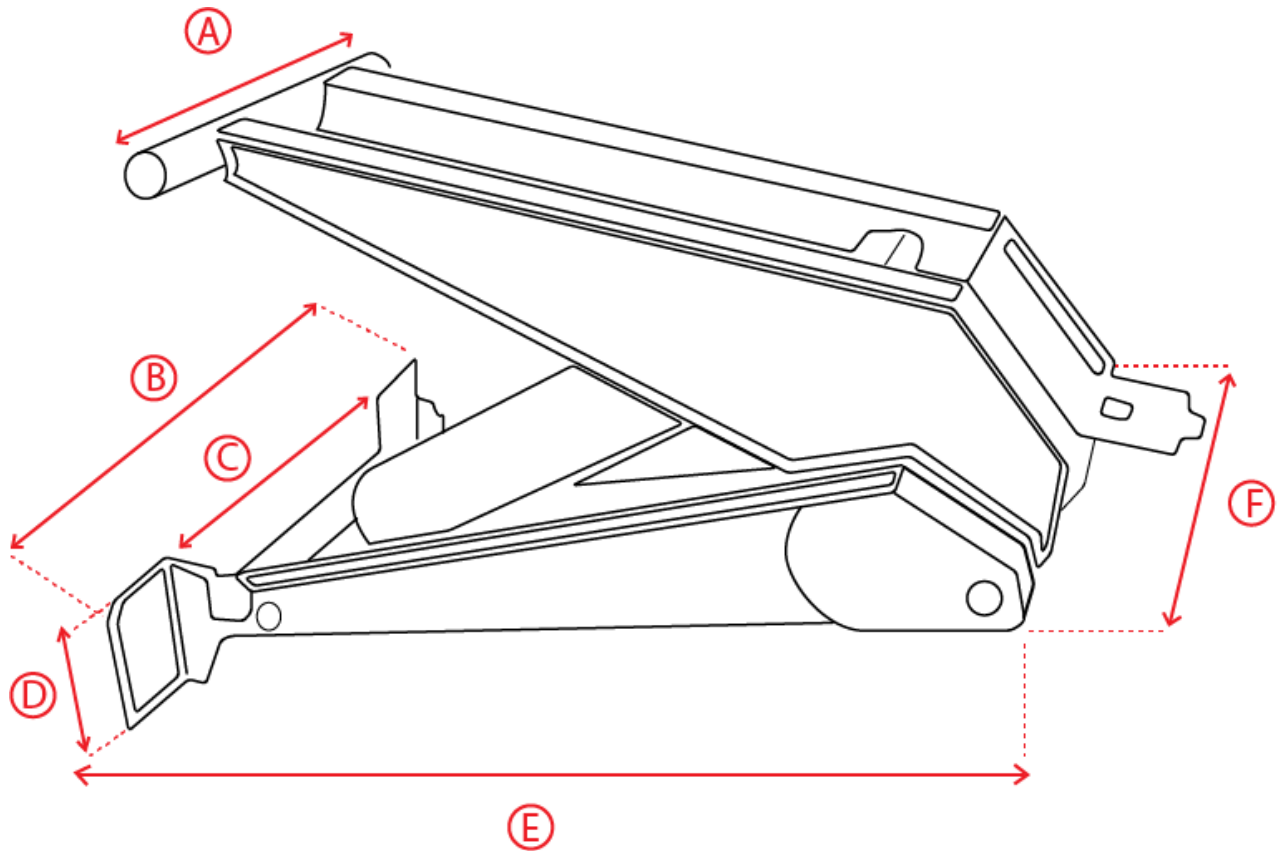
CLOSED HOIST



630
Model

Prime Force

A	24.00
B	37.50
C	25.00
D	9.75
E	65.75
F	22.50
G	14.50



CLOSED HOIST

