

**OPTION A**  
UNDER table mounting



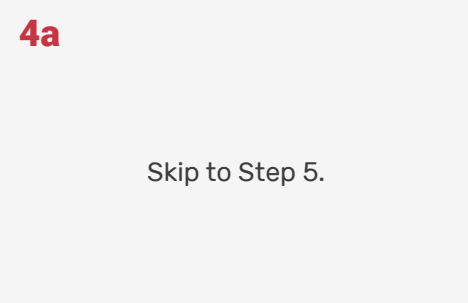
**1a**  
Feed a power cable through the Flex Arm and into your pre-cut hole of the mounting surface.



**2a**  
Screw the Flex Arm onto the surface from below with A5 screws (4x).

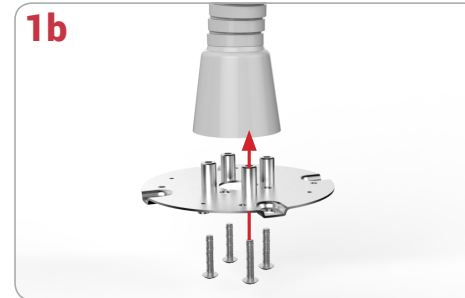


**3a**  
Slot in one Mounting Cover from the opposite end of the Flex Arm as shown.

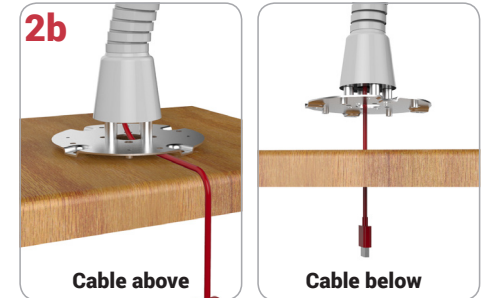


Skip to Step 5.

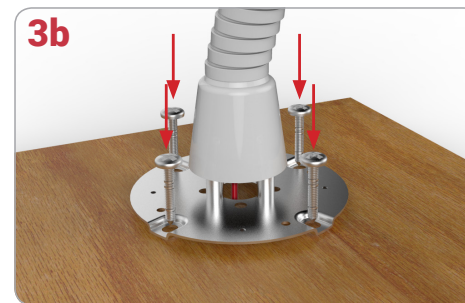
**OPTION B**  
ABOVE table mounting



**1b**  
Screw one Mounting Bracket onto the Flex Arm with A6 screws (4x).



**2b**  
Feed a power cable through the Flex Arm either through a pre-cut hole or for above counter solution as shown.



**3b**  
Screw the Mounting Bracket onto the surface with A2 or A3 screws (4x).



**4b**  
Slot in two Mounting Cover from the opposite end of the Flex Arm as shown.