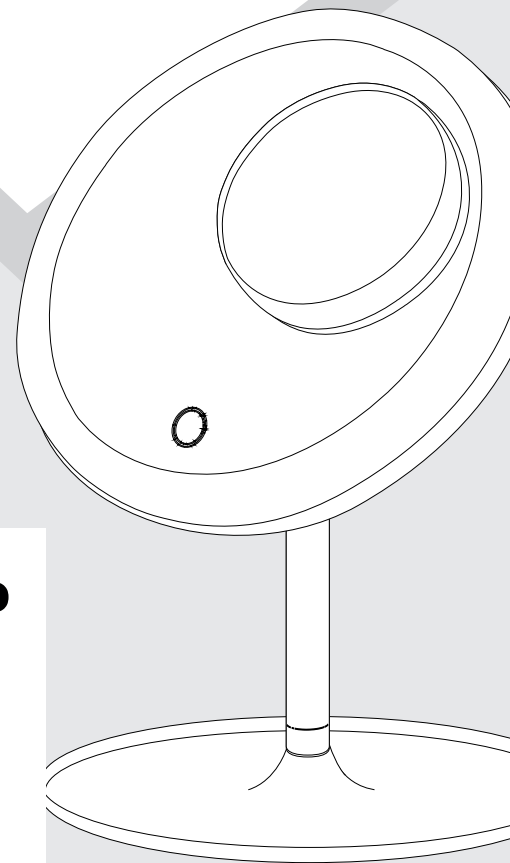


MagnitoneSkincare  
@magnitone  
@magnitone  
@magnitone

**JOIN THE CONVERSATION**

**CONFUSED, HAVE QUESTIONS OR FANCY A CHAT?**  
You can reach our customer service team on: help@magnitone.co.uk  
or by telephone on +44 (0) 330 223 1066 (UK standard rate applies)

**MAGNITONE**  
LONDON



**LIGHTUP**

**NATURAL DAYLIGHT  
HD DESKTOP MIRROR**

**INSTRUCTION MANUAL**



Model: MMR01W  
Battery Type Li-ion 3.7V  
Input: 5V-1A  
Rated Power: 5W  
Battery Capacity: 1000mAh

© Magnitone 2020  
Registered trademark, owned by:  
BB Brands Ltd, London,  
N1 7GU, UK  
Made in China  
**Product Code:** MMR01W

**CUSTOMER SERVICE**  
+44 (0)330 2231066  
help@magnitone.co.uk  
www.magnitone.co.uk

Close supervision is necessary when this product is used by, on, or near children or physically or mentally challenged persons.

Do not wash under water or submerge – clean with a dry cloth only.

Do not attempt to disassemble or repair any part of the product.  
Do not misuse the product – used only for its intended purpose  
Never operate the device if it has been damaged.

Keep away from high humidity areas, such as bathrooms and avoid direct sun exposure.

This product is approved to the requirements of European EMC legislation.

Do NOT use near to shortwave or microwave equipment. Other electrical equipment in the vicinity may be affected by the usage of this product.

Do NOT stare directly into the light source for a prolonged period of time

Do NOT use whilst charging.

Do NOT exceed 12 hours charging time.

### DON'T FORGET TO REGISTER YOUR WARRANTY

#### Register your product for your extended guarantee

- 1.) Log on to [www.magnitone.co.uk](http://www.magnitone.co.uk)
  - 2.) Go to "Support" and select "Register your Product"
  - 3.) Fill in the "Form"
  - 4.) Your extended warranty will be emailed to you
- Get in Touch: [help@magnitone.co.uk](mailto:help@magnitone.co.uk)

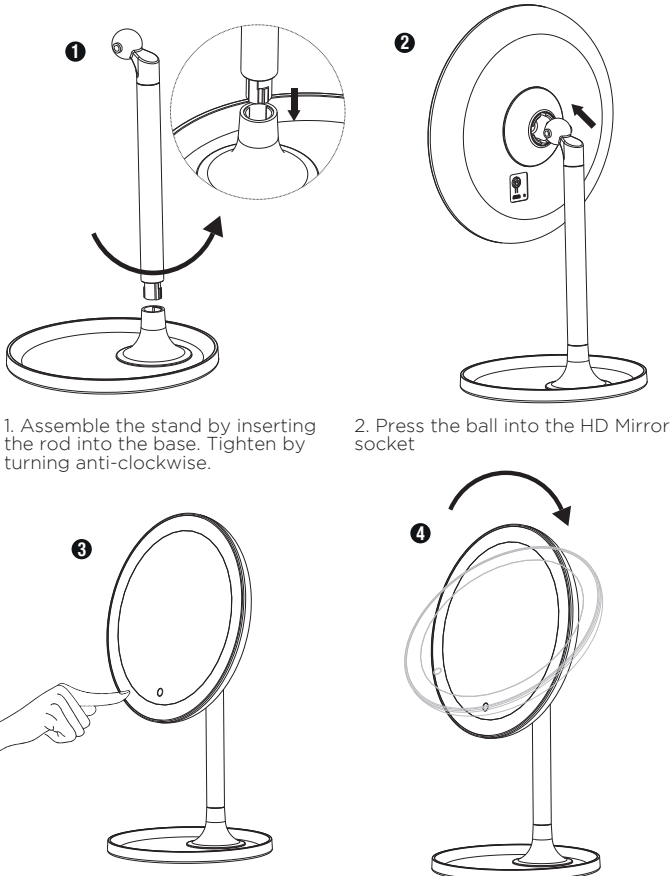
### CONFUSED, HAVE QUESTIONS OR FANCY A CHAT?

You can reach our customer service team on: [help@magnitone.co.uk](mailto:help@magnitone.co.uk) or by telephone on +44 (0) 330 223 1066 (UK standard rate applies)

### JOIN THE CONVERSATION

 [MagnitoneSkincare](https://www.facebook.com/MagnitoneSkincare)  [@magnitone](https://twitter.com/magnitone)  [@magnitonelondon](https://www.instagram.com/magnitonelondon)

## GETTING STARTED



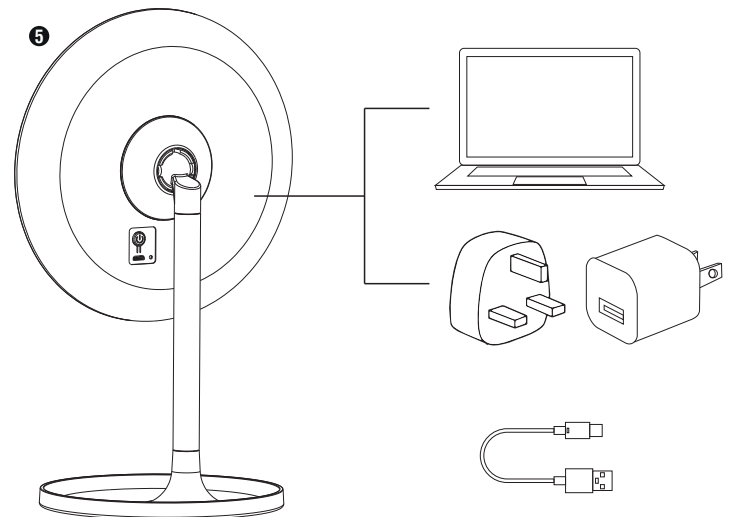
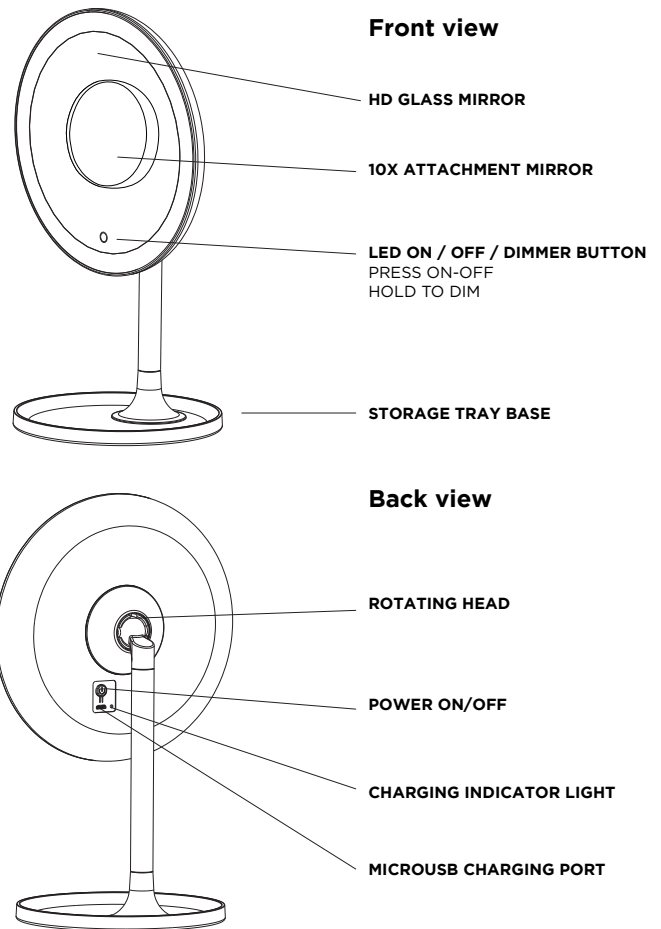
1. Assemble the stand by inserting the rod into the base. Tighten by turning anti-clockwise.

2. Press the ball into the HD Mirror socket

3. Press the POWER ON/OFF switch (at the back) to turn the power on. Then press the LED ON/OFF Button to turn the light on. Press and HOLD to dim.

4. The head can be fully rotated and tilted

## PARTS AND ACCESSORIES



### Charging your Mirror

5. To charge, insert the MicroUSB charge lead into any USB Socket (e.g. a phone charger, laptop or other socket). The indicator light shows to confirm charging. Full charge takes around 3 hours and will last for 10 hours use.

\*Do not use lamp whilst on charge and pay attention not to charge for more than 12 hours continuously.