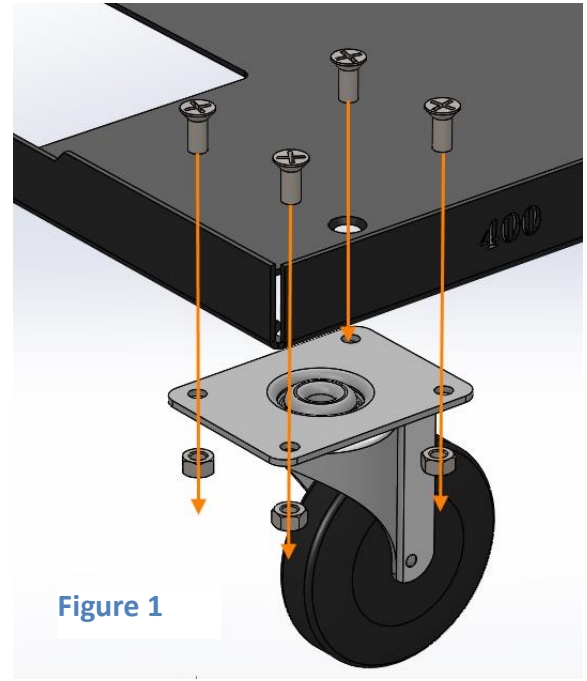


Wheel Cart Assembly Instructions

Wheel Attachment

- 1) Place wheel underneath Wheel Cart Pan, align bolt holes between Wheel Cart Pan and Wheel.
- 2) Place (4) Screws downward through Wheel Cart Pan and Wheel, as shown in 'Figure 1'.
- 3) Thread (1) nut per screw, metal threads first, nylon washer toward wheel.
- 4) Tighten with screwdriver and wrench.



Lock Pin Attachment

- 1) Place Lock Pin on ends of Wheel Cart Pan, Locking Pin pointing inward through $\frac{1}{2}$ " hole as shown in 'Figure 2'.
- 2) Place (2) Screws through holes at side of Lock Pin, pointing outward.
- 3) Secure Screws and Lock Pin by (2) Acorn Nuts.
- 4) Tighten with screwdriver and wrench.

