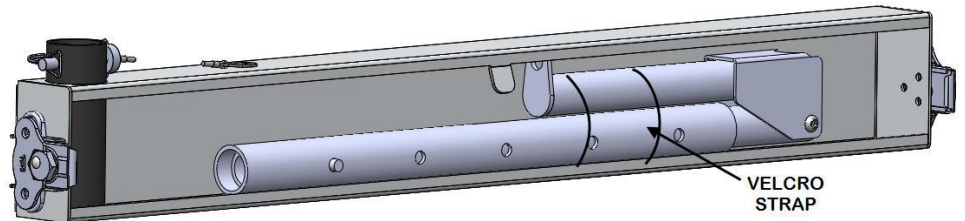


Grooming Arm Setup

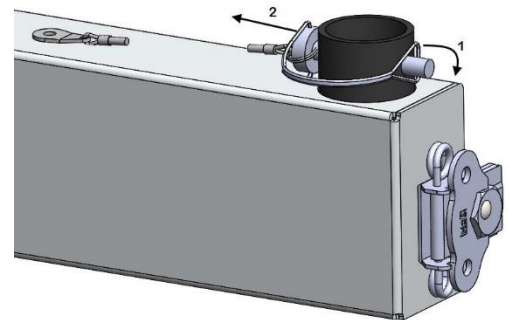
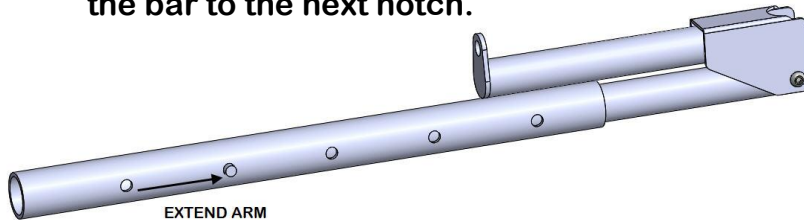


Step 1: Remove the Grooming Rail with Arm inside from your crate.

Step 2: Remove velcro strap holding Grooming Arm inside the rail.

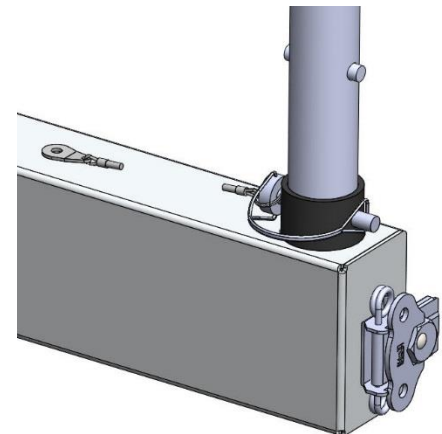


Step 3: Extend the Grooming Arm at least one notch by depressing the button and sliding the bar to the next notch.



Step 4: Rotate the safety catch off the Grooming Rail's pin(1), then remove the pin (2).

Step 5: Place Grooming Arm into Grooming Rail, and reinsert the pin removed in Step 4 through the first hole in the Grooming Arm.



Step 6: Rotate Arm over the top,

**Re-install your Grooming Rail
onto your crate, and enjoy!**

**CONGRATULATIONS! You have installed
your Impact Dog Crates Grooming Rail.**

