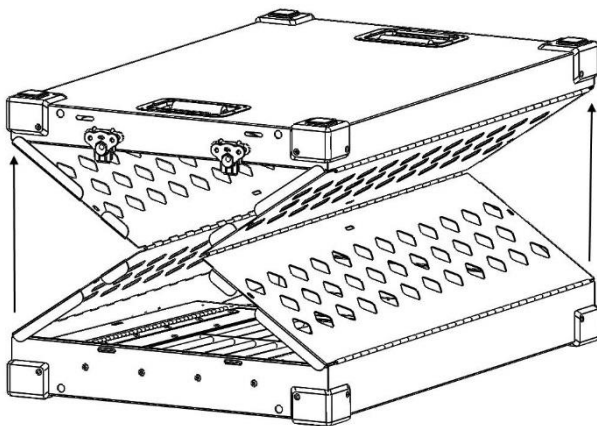
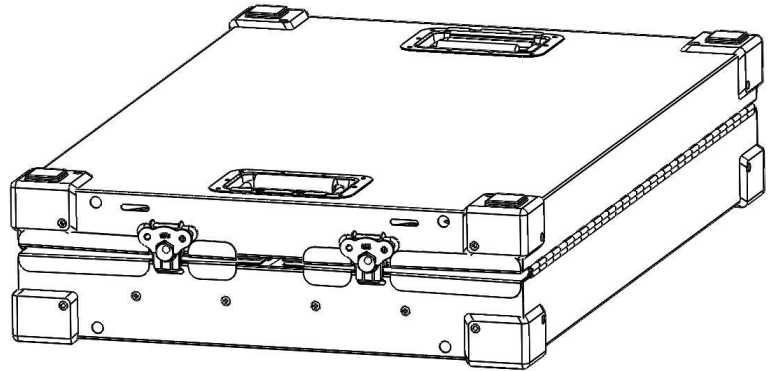


Impact Dog Crates Collapsible Crate Instructions

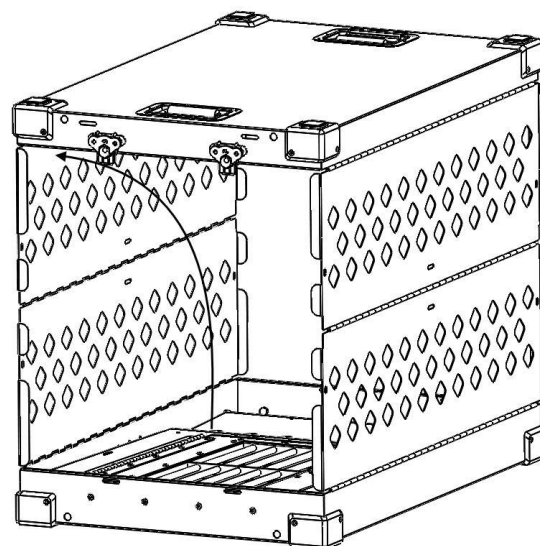


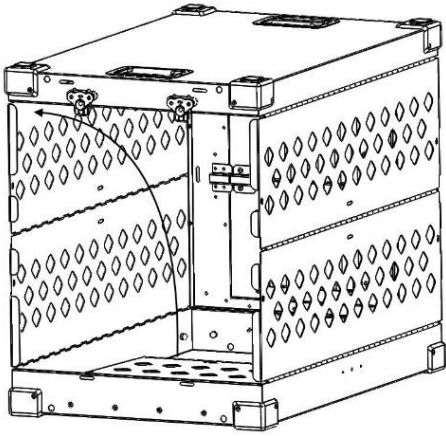
Set your crate on the floor, with the handles facing upward.



Open latches and slightly lift top and remove outer rails.

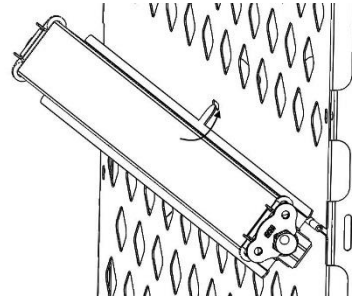
Fully open crate and lift front (door assembly) into position and latch in place.





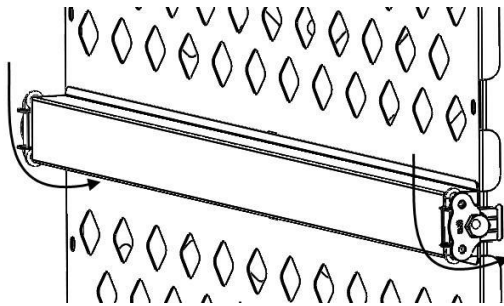
Fully open back into position and latch in place.

Place first rail in position, as shown (tab will go into **TOP** slot).



Rotate rail into position (downward) and latch into front and back panels (as shown).

Repeat process for second rail.



Congratulations! You have assembled your collapsible dog crate.

