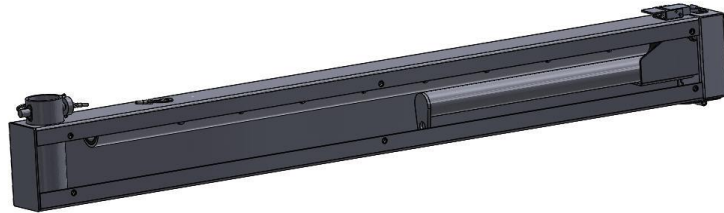


CAS Grooming Arm Setup

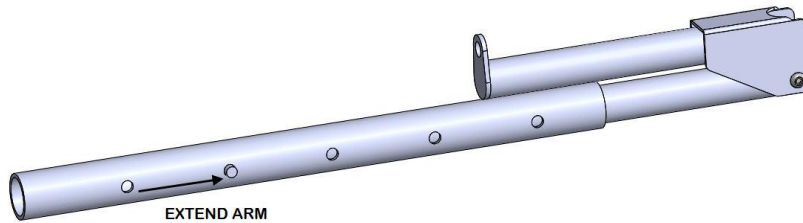


Step 1: Remove the Grooming Rail with Arm inside from the box.

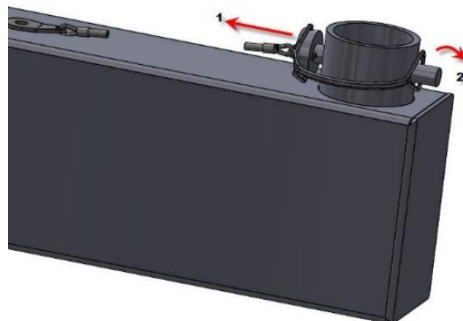
Step 2: Unlatch end plate and slide Grooming Arm out. Re-latch end plate.



Step 3: Extend the Grooming Arm at least one notch by depressing the button and sliding the bar to the next notch.

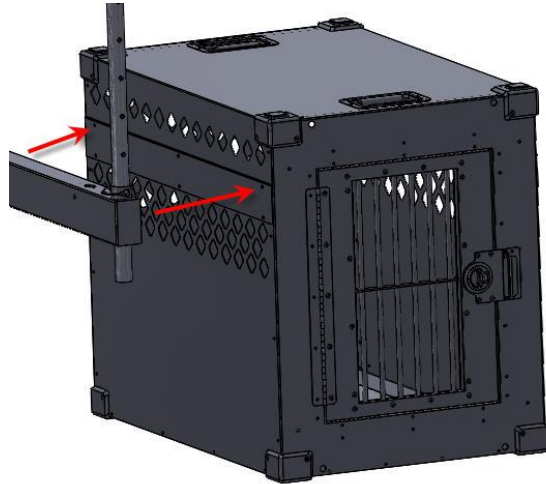


Step 4: Rotate the safety catch off the Grooming Rail's pin (1), then remove the pin (2).



Step 5: a) Remove existing rail if already attached.

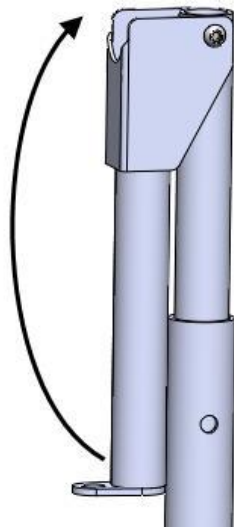
b) Place grooming rail on side of crate, align (6) holes in rail with (six) holes in crate. Carefully install (6) screws, one at a time in threaded holes loosely until all six screws are attached, then tighten all (6) snugly. CAUTION: Do not overtighten.



Step 6: Place Grooming Arm into Grooming Rail, and re-insert the pin removed in Step 4 through the first hole in the Grooming Arm.



Step 7: Rotate Arm over the top, of your crate, and enjoy!



CONGRATULATIONS! You have installed your Impact Dog Crates Grooming Rail.