



**ENTOURAGE® CAR SEAT ADAPTER**  
**REAR FRAME - CHICCO®**

User Manual

[austlen.com](http://austlen.com)

# WARNINGS & SAFETY INFORMATION

**READ THIS USER MANUAL CAREFULLY AND UNDERSTAND ALL WARNINGS AND INSTRUCTIONS BEFORE USE. YOUR CHILD'S SAFETY MAY BE AT RISK IF YOU DO NOT FOLLOW THESE INSTRUCTIONS.**

**KEEP THESE INSTRUCTIONS AND WARNINGS FOR FUTURE REFERENCE.**

DO NOT allow anyone to use this product unless that person has read and fully understood the warnings and instructions in this user manual prior to use. Assembly of this product should be done by an adult; no tools are required.

## **WARNING**

- **NEVER LEAVE CHILD UNATTENDED!**
- **IMPROPER ASSEMBLY, INSTALLATION OR USE CAN RESULT IN SERIOUS INJURY FROM TIPPING OR FALLING!**
- Follow all car seat manufacturer's instructions when using an infant car seat with the Entourage®.
- Audible clicks must be heard to confirm adapter rear frame is locked into stroller handle bar.
- ALWAYS ensure adapter is securely attached prior to use. Lift up on adapter at each connection point to confirm it is locked in place.
- When removing infant car seat from stroller, take care that car seat does not tip and fall.
- ALWAYS use infant car seat restraint system as recommended by car seat manufacturer.
- ALWAYS position the car seat so that it is securely placed down onto the car seat connectors. Audible clicks must be heard in order to determine that the car seat is locked into the car seat connectors. To ensure proper locking engagement, pull up on car seat. It should remain attached to the adapter.
- ALWAYS securely fasten car seat safety belt over car seat before operation.
- Only use infant car seat models approved by manufacturer with this adapter.
- Weight and height limitations: DO NOT place a child in car seat that exceeds recommended height and weight specified by the car seat manufacturer.
- Dispose of plastic bags and packaging immediately to avoid danger of suffocation.
- Intended for use only with Austlen™ Entourage strollers.

## Care & Maintenance

---

**PRODUCT CARE:** Car seat adapter may be wiped down with water and a mild detergent that does not leave any residue, as needed.

Do not use abrasives.

Do not disassemble when cleaning.

If exposed to salt water, wipe down with fresh (tap) water as soon as possible to avoid corrosion.

Do not use pressurized water to clean.

Always dry thoroughly before storing, and do not store in a damp environment or near a direct heat source (fire, radiator, etc.)

**MAINTENANCE & REPAIR:** Inspect your Entourage® car seat adapter periodically. Never use a product that is structurally unsound or in need of repair. Regularly check all connecting hardware (rivets, screws, etc.) for tightness and security. Check all safety devices, locks and harnesses, for correct and secure operation.

Replace worn or broken parts as needed. Only Austlen™ Baby Co. replacement parts should be used. It may be unsafe to use parts supplied by another manufacturer.

## Compatibility

---

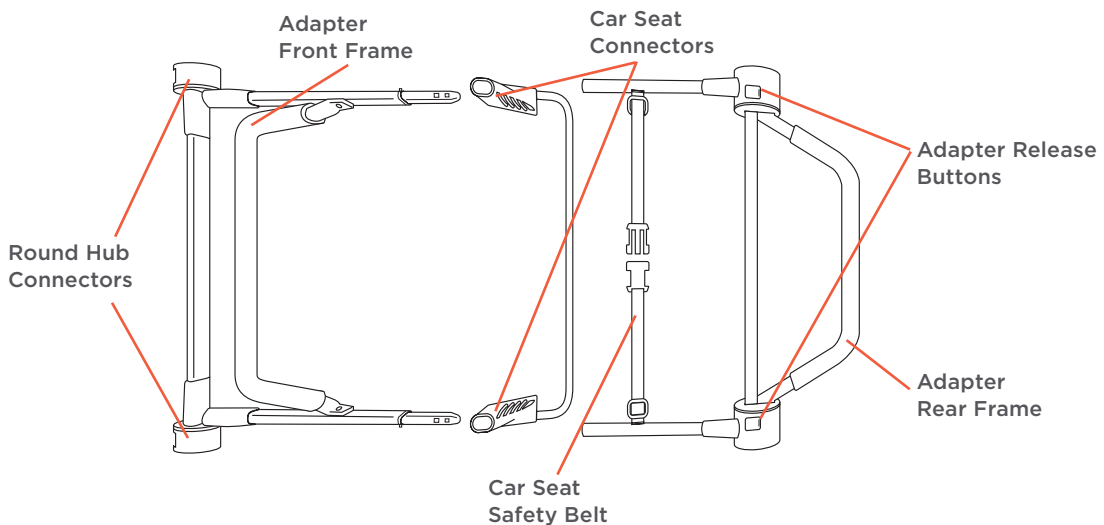
Car seat adapter is compatible with the following infant car seat models:

- Chicco® Keyfit®
- Chicco® Keyfit® 30
- Chicco® Fit 2™

Visit [austlen.com](http://austlen.com) for a current list of compatible infant car seats.

## Parts List

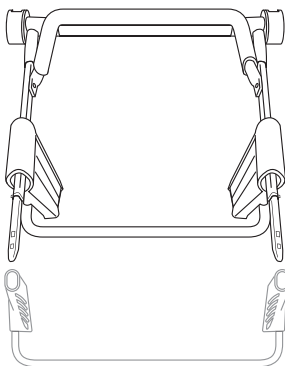
---



# Car Seat Adapter Assembly

---

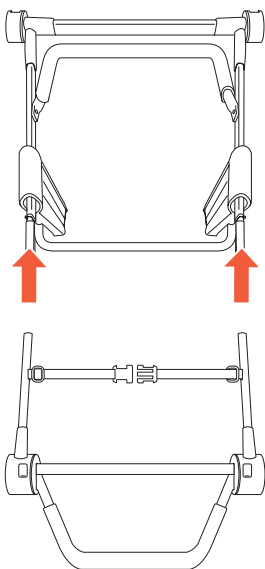
## 1 Insert Car Seat Connectors Into Adapter Rear Frame



Slide one car seat connector onto each end of adapter rear frame.

Match the colored dot to the coordinating color dot on the adapter frame and slide until dots are next to each other.

## 2 Connect Adapter Front and Rear Frames

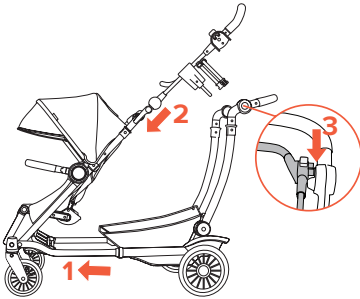


To connect, slide rear frame onto front frame until buttons lock into place. Pull to ensure adapter is properly locked and secure.

# Car Seat Adapter Operation

---

## 1 Attach Car Seat Adapter



### ATTACH ADAPTER TO STROLLER:

**STEP 1:** Fully expand stroller. Refer to Entourage® User Manual for instructions.

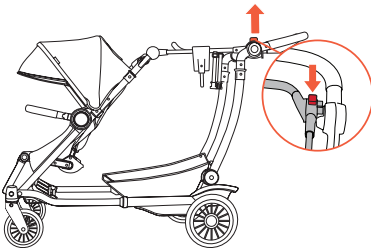
**STEP 2:** While holding adapter at a 45° angle as shown, position round hub connectors around front channels above seat. Rotate adapter frame downward to secure.

**STEP 3:** Snap rear frame protrusions into rear channels of handle bar until they click into place.

**NOTE:** Adapter should fully click into grooves on both sides of stroller.

## **WARNING**

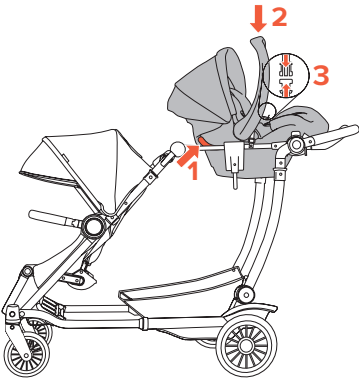
**AVOID SERIOUS INJURY FROM TIPPING OR FALLING: ALWAYS** ensure adapter is securely attached prior to use. Lift up on adapter and car seat at each connection point to confirm it is locked in place.



**TO REMOVE ADAPTER:** Push white adapter release buttons and pull upward.

# Car Seat Adapter Operation

## 2 Attach/Remove Infant Car Seat



### TO ATTACH CAR SEAT:

**STEP 1:** Position car seat in a rear-facing position and align support bar with notch on back of car seat.

**STEP 2:** Slide car seat into car seat adapter until it audibly and visibly locks into place.

**STEP 3:** Fasten and properly tighten the safety belt over the car seat before operation.

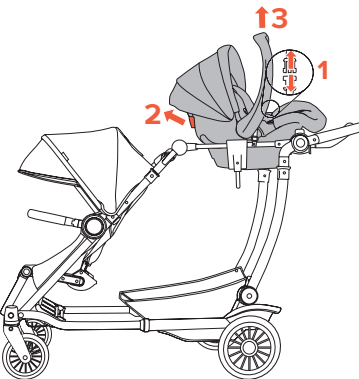


## ! WARNING

**AVOID SERIOUS INJURY FROM TIPPING OR FALLING: ALWAYS** ensure car seat is securely attached prior to use. Lift up on car seat to confirm it is locked in place.

**ALWAYS** securely fasten the car seat adapter safety belt over the car seat before operation.

**DO NOT** install the car seat forward-facing.



### TO REMOVE CAR SEAT:

**STEP 1:** Unfasten the safety belt.

**STEP 2:** Squeeze release lever on back of car seat.

**STEP 3:** Pull upward on handle.

## **SUPPORT & CONTACT INFORMATION**

Austlen™ Baby Co.  
P.O. Box 49589  
Austin, TX 78765

844.AUSTLEN  
support@austlen.com  
austlen.com

Model SA-ICRC-BK  
Manual P7752 version 1.0

All rights reserved. © 2017 Austlen™ Baby Co. Austlen, Entourage®, and all associated logos are trademarks.  
All product specifications are correct at time of print. Austlen Baby Co. reserves the right to alter parts that will not affect product functionality.