



ENTOURAGE® BEACH WHEELS
User Manual

austlen.com

WARNINGS & SAFETY INFORMATION

READ THIS USER MANUAL CAREFULLY AND UNDERSTAND ALL WARNINGS AND INSTRUCTIONS BEFORE USE. YOUR CHILD'S SAFETY MAY BE AT RISK IF YOU DO NOT FOLLOW THESE INSTRUCTIONS.

KEEP THESE INSTRUCTIONS AND WARNINGS FOR FUTURE REFERENCE.

DO NOT allow anyone to use this product unless that person has read and fully understood the warnings and instructions in this user manual prior to use.

WARNING

- A beach has potential hazards such as uneven surfaces and terrain that may present a tip hazard. Always be mindful when traversing beach terrain to ensure stability.
- Protruding parts can cause serious injury. Store all wheels out of reach of children when not in use. Wheels are not toys.

Care & Maintenance

PRODUCT CARE:

Beach wheels may be wiped down with water and a mild detergent that does not leave any residue, as needed.

Do not use abrasives.

When exposed to salt water, wipe down with fresh (tap) water as soon as possible to avoid corrosion.

Always dry thoroughly before storing, and do not store in a damp environment or near a direct heat source (fire, radiator, etc.)

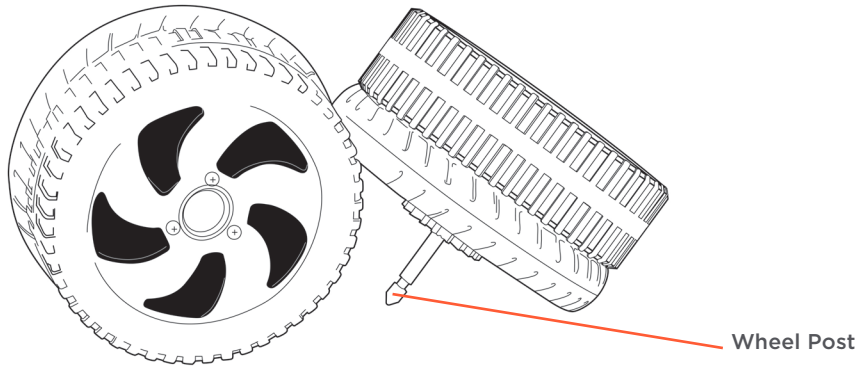
NOTE: Beach wheels should not be submerged in water.

MAINTENANCE & REPAIR:

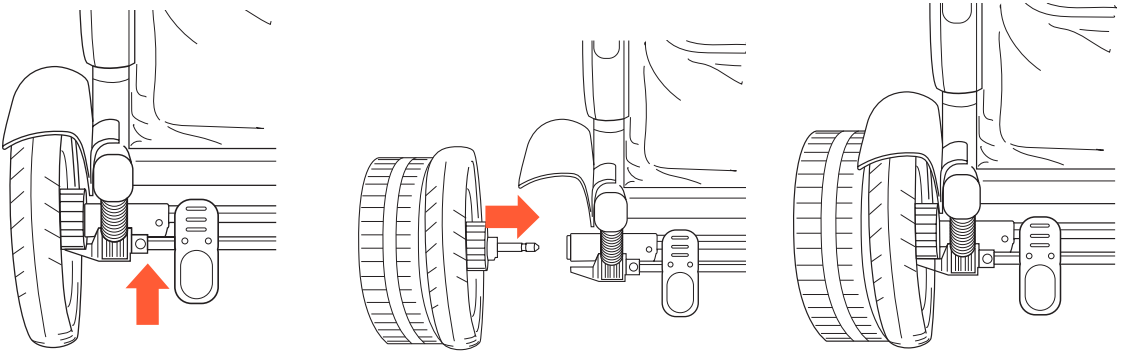
Inspect your Entourage® beach wheels periodically. Never use a product that is structurally unsound or in need of repair. Regularly check all connecting hardware (rivets, screws, etc.) for tightness and security. Check all safety devices, locks and harnesses, for correct and secure operation.

Replace worn or broken parts as needed. Only Austlen™ Baby Co. replacement parts should be used. It may be unsafe to use parts supplied by another manufacturer.

Parts List



Beach Wheel Assembly



TO REMOVE EXISTING REAR WHEELS:

Press black button on underside of axle near each rear wheel and pull wheel out.

TO INSTALL BEACH WHEELS:

Insert wheel post into rear wheel axle and push until it clicks into place. Pull wheel to ensure it is securely attached.

SUPPORT & CONTACT INFORMATION

Austlen™ Baby Co.
P.O. Box 49589
Austin, TX 78765

844.AUSTLEN
support@austlen.com
austlen.com

Model SA-BWRS-BK
Manual P7800 version 1.0

All rights reserved. © 2017 Austlen™ Baby Co. Austlen, Entourage®, and all associated logos are trademarks.
All product specifications are correct at time of print. Austlen Baby Co. reserves the right to alter parts that will not affect product functionality.